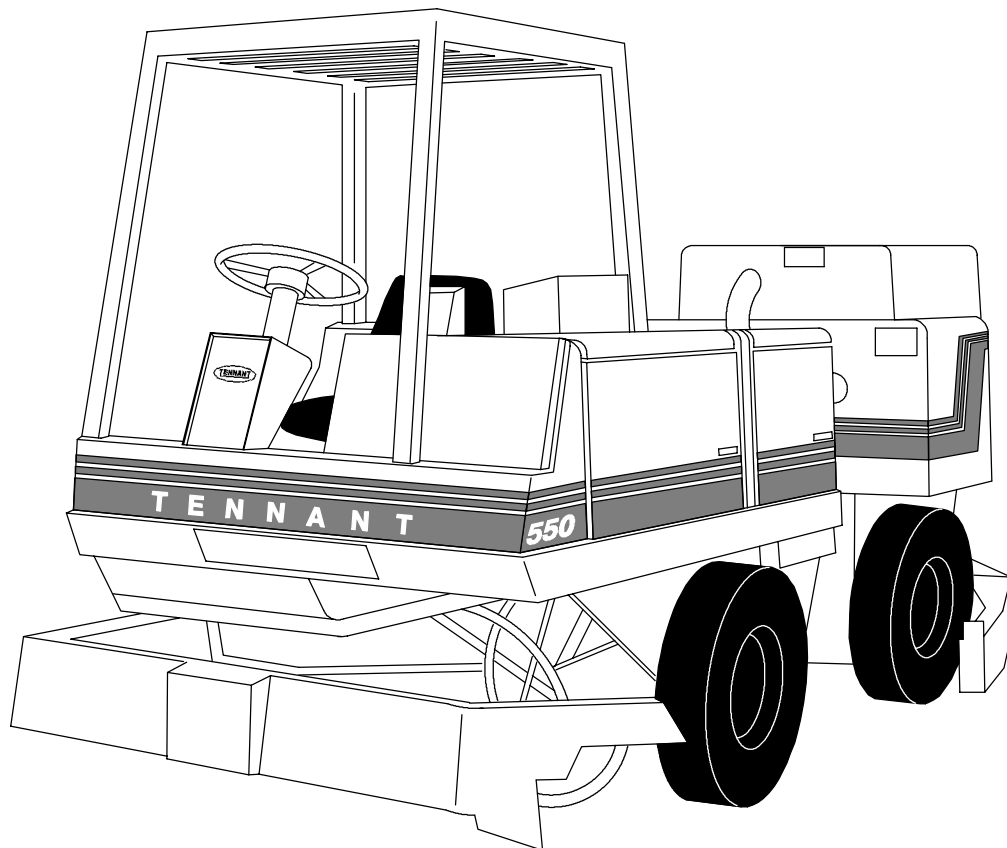




550

(Parts Manual)



MM148
Rev. 25 (9-99)



This manual is furnished with each new TENNANT Model 550. It provides necessary operating and preventive maintenance instructions. Read this manual completely and understand the machine before operating or servicing it.

This manual covers all machine variations and standard options. The instruction portion of the manual consists of the Specification, Operation, Maintenance, and Appendix sections. The parts portion consists of the How To Use This Manual; Standard Parts; LPG Parts; Diesel Parts, SRS® Parts; Options; Breakdowns; F163 Engine Parts, Gasoline, LPG; TM27 Engine Parts, Gasoline, LPG; Engine Parts, Diesel; 65951 Engine Parts, Diesel; and Cross Reference.

All right side and left side references to the machine are determined by facing the direction of forward travel. All hardware considered to be of a common nature or locally available has been omitted from the parts sections. Be aware that this machine may contain metric hardware. Make sure you use equivalent hardware when replacement becomes necessary.

This machine will provide excellent service. However, the best results will be obtained at minimum costs if:

- The machine is operated with reasonable care.
- The machine is maintained regularly - per the maintenance instructions provided.
- The machine is maintained with TENNANT supplied or equivalent parts.

MACHINE DATA <i>Please fill out at time of installation.</i>
Machine Serial Number - _____
Engine Serial Number - _____
Sales Representative - _____
Customer Number - _____
Date of Installation - _____
Manual Number - MM148
Revision: 25
Published: 9-99
03952

Trademark Registered in: Austria, Benelux, Denmark, England, France, Germany, Italy, Spain, Switzerland, United States, Argentina, Australia, Canada, Japan, Mexico, Sweden, by TENNANT, Minneapolis, Minnesota, U.S.A.

Acknowledgements: Technical information and/or illustrations supplied by Teledyne Continental Motors, Industrial Products Division; Sperry Vickers Corporation; Eaton Corporation, Hydraulics Division.



CALIFORNIA PROPOSITION 65 WARNING:

Engine exhaust from this product contains chemicals known to the State of California to cause cancer, birth defects, or other reproductive harm.

HOW TO USE THIS MANUAL

This section on *HOW TO USE THIS MANUAL* will tell you how to:

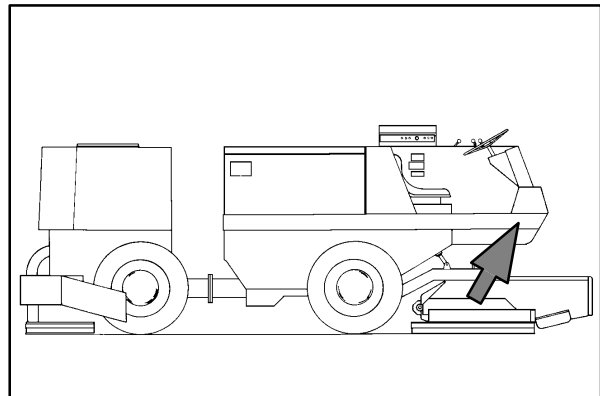
- Find important machine information for ordering correct repair parts.
- Find TENNANT part numbers.
- Order TENNANT parts and supplies.

IMPORTANT INFORMATION

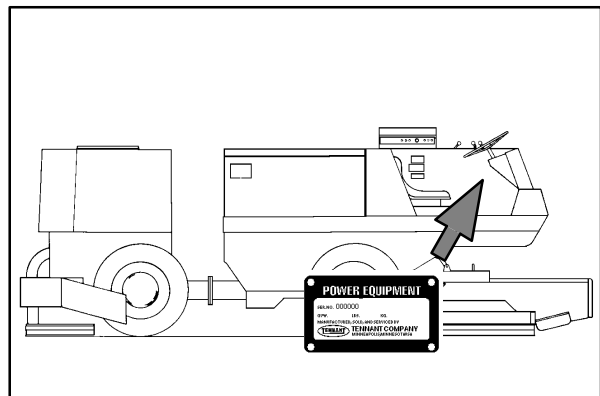
When placing an order for parts, the machine model and machine serial number are important. Refer to the *MACHINE DATA* box which is filled out during the installation of your machine. The *MACHINE DATA* box is located on the inside of the front cover of this manual.

MACHINE DATA	
Please fill out at time of installation.	
Machine Serial Number -	_____
Engine Serial Number -	_____
Sales Representative -	_____
Customer Number -	_____
Date of Installation -	_____
Manual Number -	MM148
Revision:	10
Published:	2-95

The model number of your machine is on the side of the machine.



The serial number of your machine is printed on the machine data plate located as shown.



HOW TO USE THIS MANUAL

FINDING A TENNANT PART NUMBER

This manual contains the following sections:

- HOW TO USE THIS MANUAL
- STANDARD PARTS
- OPTIONS
- BREAKDOWNS
- CROSS REFERENCE

The STANDARD PARTS section lists repair parts for standard machines. They are grouped in this general order:

- General wear parts.
- Machine frame and related parts.
- Machine propelling system.
- Scrubbing components.
- Electrical parts.

The OPTION section lists repair parts of options.

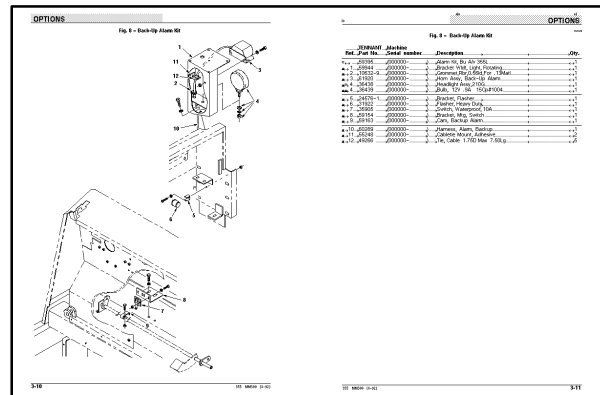
The BREAKDOWN section lists available repair parts of major components.

All sections in this manual consist of parts illustrations and corresponding parts lists.

The parts illustrations are numbered with **Ref** numbers which refer to corresponding parts lists.

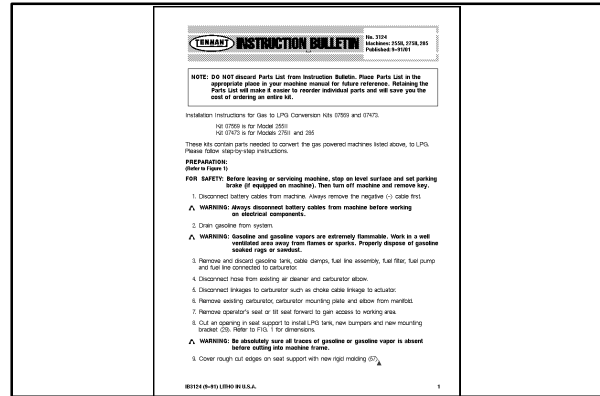
The parts lists include a number of columns of information:

- **Ref** – column refers to the reference number on the parts illustration.
- ∇ – indicates the part is an assembly.
- ▲ – indicates the part is included in the assembly listed just before it.
- **TENNANT Part No.** – column lists the TENNANT part number for the part.
- **Serial Number** – column indicates the set of machines the part number is applicable to. Serial numbers change when the machine design has been modified. The most current design of the machine is shown in the main illustration, older designs are boxed in a corner of the illustration.
- **Description** – column is a brief description of the part.
- **Qty.** – column lists the quantity of that part used in that area of the machine.



NOTE: If a service kit is installed on your machine, be sure to keep the **INSTRUCTION BULLETIN** which came with the kit. It contains repair parts numbers needed for ordering future parts.

NOTE: Fasteners used in this machine may be metric or non-metric. Take care when replacing hardware to replace with same thread size.



PLACING AN ORDER

Orders may be placed by phone, fax, or by mail. Phone orders may need written confirmation. Follow the steps below to insure prompt delivery:

1. Identify the model number of your machine.
2. Identify the serial number of your machine.
3. Find the part number of the part you need. Do not order by page number or reference number. If you are not able to find the part number, call your TENNANT representative for help or send the old part as a sample.
4. Determine the quantity of the part you need.
5. Provide the following company information:
 - Company name
 - Customer ID Number
 - Shipping address
 - Billing address
 - First and last name of person ordering parts
 - Telephone number
 - Purchase order number
6. Provide definitive shipping instructions.

HOW TO USE THIS MANUAL

Any claim for loss or damage to a shipment in transit should be filed promptly with the transportation company making the delivery. Shipments will be complete unless the packing list or order acknowledgement indicates items back ordered.

If parts received are suspected to be incorrect or defective, please contact the TENNANT representative from whom you ordered the part. They will give authorization for return and/or handle replacement shipments when required.

SECTION 6

CONTENTS	PAGE
Fig. 1 – Recommended General Maintenance Items	6-3
Fig. 2 – Replacement Brushes	6-5
Fig. 3 – Seat Group	6-6
Fig. 4 – Main Frame Group	6-8
Fig. 5 – Noise Insulation Group	6-10
Fig. 6 – Hopper Group	6-11
Fig. 7 – Scrub Head Lift Group	6-12
Fig. 8 – Solution Supply and Control Group	6-14
Fig. 9 – Right Side Squeegee Assembly	6-16
Fig. 10 – Left Side Squeegee Assembly	6-18
Fig. 11 – Front Brush Drive Components Group	6-20
Fig. 12 – Front Brush Idler Assembly	6-21
Fig. 13 – Rear Brush Idler Assembly	6-22
Fig. 14 – Rear Brush Drive Components Group	6-23
Fig. 15 – Steering Column Group	6-24
Fig. 16 – Front Wheel Assembly	6-26
Fig. 17 – Front Wheel Drive Group	6-27
Fig. 18 – Parking Brake Group	6-28
Fig. 19 – Brakes Group	6-29
Fig. 20 – Engine Group, F163	6-30
Fig. 21 – Engine Group, TM27	6-32
Fig. 22 – Engine Group, TM27	6-34
Fig. 23 – Muffler Group	6-36
Fig. 24 – Radiator Group	6-37
Fig. 25 – Air Cleaner Group	6-38
Fig. 26 – Air Cleaner Group	6-39
Fig. 27 – Fuel Tank Group	6-40
Fig. 28 – Battery Group	6-42
Fig. 29 – Hydraulic Schematic (For machines below serial number 004438)	6-43
Fig. 30 – Hydraulic Schematic (For machines serial number 004438 thru 005268)	6-44
Fig. 31 – Hydraulic Schematic (For machines serial number 005269 and above)	6-45
Fig. 32 – Hydraulic Hoses Group	6-46
Fig. 33 – Hydraulic Hoses Group	6-48
Fig. 34 – Hydraulic Hoses Group	6-50
Fig. 35 – Hydraulic Propelling Motors Group	6-52
Fig. 36 – Hydraulic Reservoir Group	6-53
Fig. 37 – Hydraulic Control Valves Group	6-54
Fig. 38 – Hydraulic Pump Group	6-55
Fig. 39 – Hydraulic Pump Group	6-56
Fig. 40 – Hydraulic Pump Group	6-57
Fig. 41 – Hydraulic Filters Group	6-58
Fig. 42 – Hydraulic Filters Group	6-59
Fig. 43 – Hydraulic Tow Bypass Group	6-60
Fig. 44 – Directional Pedal Group	6-61
Fig. 45 – Directional Pedal Group	6-62
Fig. 46 – Directional Pedal Group	6-64
Fig. 47 – Wire Harnesses Group	6-66
Fig. 48 – Electrical Schematic—Gasoline, LPG (For machines below serial number 004255)	6-67
Fig. 49 – Electrical Schematic—Gasoline, LPG (For machines serial number 004255 and above)	6-68
Fig. 50 – Electrical Schematic, Diesel (For machines below serial number 003619)	6-69
Fig. 51 – Electrical Schematic, Diesel (For machines serial number 003619 to 004254)	6-70
Fig. 52 – Electrical Schematic, Diesel (For machines serial number 004255 and above)	6-71
Fig. 53 – Electrical Schematic, Options (For machines serial number 004255 and above)	6-72

CONTINUED

STANDARD PARTS

CONTENTS	PAGE
Fig. 54 – Electrical Schematic, Specials	6-73
Fig. 55 – Vacuum Fan Idler Assembly	6-74
Fig. 56 – Vacuum Fan Assembly	6-76
Fig. 57 – Vacuum Fan Assembly	6-78
Fig. 58 – Instrument Panel Group	6-80
Fig. 59 – Rear Wheel Group	6-81
Fig. 60 – Trunnion Group	6-82
Fig. 61 – Front Side of Solution and Recovery Tanks Group	6-84
Fig. 62 – Rear Side of Solution and Recovery Tanks Group	6-86
Fig. 63 – Rear Bumper Group	6-88
Fig. 64 – Rear Bumper Group	6-89
Fig. 65 – Rear Squeegee Assembly	6-90

Fig. 1 – Recommended General Maintenance Items

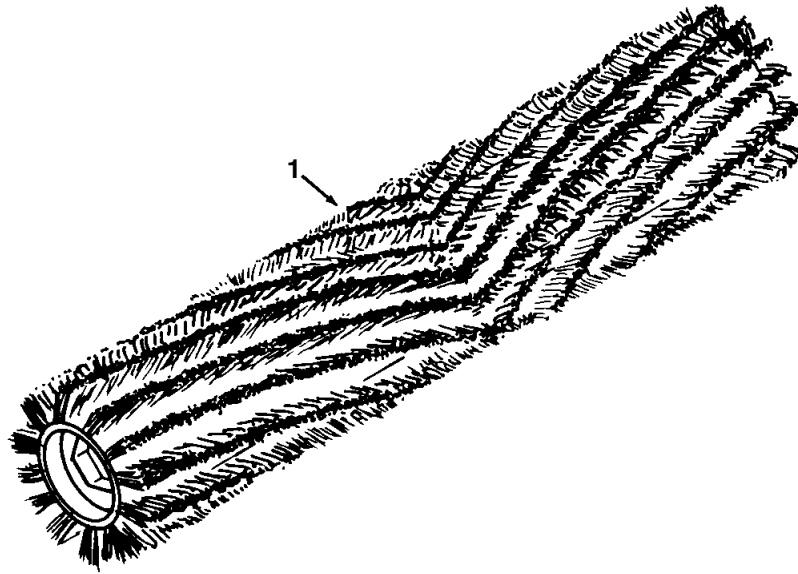
Ref.	Tennant Part No.	Machine Serial Number	Description	Qty.
▽	02461	(003370–003933)	Performance Package, F163, 400 Hour, Gas & LPG	1
▲	53055–2	(003370–003933)	Element, Oil Filter	8
▲	01433–1	(003370–003933)	Grease, Special	1
▲	55994	(003370–003933)	Spark Plug	8
▲	37420	(003370–003933)	Point Set	2
▲	45631	(003370–003933)	Condenser	2
▲	37421	(003370–003933)	Rotor	2
▲	58120	(003370–003933)	Element, Air Cleaner	1
▲	55740	(003370–003933)	Element, Hydraulic Filter	2
▲	65869–5	(003370–003933)	Hydraulic Fluid, 5 Gal (18.9 L)	3
▽	61478	(003934–005268)	Performance Package, TM27, 400 Hour, Gas & LPG	1
▲	16853	(003934–005268)	Filter, Oil	8
▲	01433–1	(003934–005268)	Grease, Special	1
▲	34726	(003934–005268)	Spark Plug	8
▲	09837	(003934–005268)	Rotor	2
▲	58120	(003934–005268)	Element, Air Cleaner	1
▲	55740	(003934–005268)	Element, Hydraulic Filter	2
▲	65869–5	(003934–005268)	Hydraulic Fluid, 5 Gal (18.9 L)	3
▽	79111	(005269–)	Performance Package, TM27, 400 Hour, Gas & LPG, Servo	1
▲	16853	(005269–)	Filter, Oil	8
▲	01433–1	(005269–)	Grease, Special	1
▲	34726	(005269–)	Spark Plug	8
▲	09837	(005269–)	Rotor	2
▲	58120	(005269–)	Element, Air Cleaner	1
▲	65221	(005269–)	Element, Hydraulic Filter	2
▲	65869–5	(005269–)	Hydraulic Fluid, 5 Gal (18.9 L)	3
▽	02462	(003370–005268)	Performance Package, 400 Hour, Diesel	1
▲	39703–2	(003370–005268)	Element, Oil Filter	8
▲	01433–1	(003370–005268)	Grease, Special	1
▲	76335	(003370–005268)	Element Assembly, Air Cleaner	1
▲	52770–9	(003370–005268)	Element, Fuel Filter	1
▲	55740	(003370–005268)	Element, Hydraulic Filter	2
▲	65869–5	(003370–005268)	Hydraulic Fluid, 5 Gal (18.9 L)	3
▽	79112	(005269–)	Performance Package, 400 Hour, Diesel, Servo	1
▲	39703–2	(005269–)	Element, Oil Filter	8
▲	01433–1	(005269–)	Grease, Special	1
▲	76335	(005269–)	Element Assembly, Air Cleaner	1
▲	52770–9	(005269–)	Element, Fuel Filter	1
▲	65221	(005269–)	Element, Hydraulic Filter	2
▲	65869–5	(005269–)	Hydraulic Fluid, 5 Gal (18.9 L)	3
▽	02460	(003370–)	Squeegee Blades Kit, Side	1
▲	60015	(003370–)	Blade, Squeegee	4
▲	59617	(003370–)	Flap, Containment	2
▲	75711	(003370–)	Brush	2
▲	75799	(003370–)	Skirt	2

STANDARD PARTS

Fig. 1 – Recommended General Maintenance Items

Ref.	Tennant Part No.	Machine Serial Number	Description	Qty.
▽	02457	(003370–)	Squeegee Blades Kit, Rear	1
▲	60016	(003370–)	Blade, Rear	1
▲	76937	(003370–)	Strip, Rear Backup	2
▲	60018	(003370–)	Blade, Front	1
▽	02458	(003370–)	Seal Kit, Tank Door	1
▲	25665	(003370–)	Replacement Kit, Thumbscrew	10
▲	25656	(004345–004344)	Fastener, Thumbscrew	10
▲	28165	(003370–004344)	Fastener, Nut	10
▲	25663	(004345–)	Fastener, Nut	10
▲	26015	(003370–)	Fastener, Washer	10
▲	06332	(003370–)	Seal, Door	2
▲	76532	(003370–)	Gasket, Front Suction Tube	1
▲	06227	(003370–)	Gasket	1
▲	75076	(003370–)	Gasket, Rear Suction Tube	1
▲	50518	(003370–)	Flap, Rubber	1
▽	02456	(003370–)	Hose Kit, Vacuum, SRS®	1
▲	40870–7	(003370–)	Hose Assembly	1
▲	23498	(003370–)	Clamp, Worm Drive	4
▲	76828	(003370–)	Hose Assembly	1
▲	75635	(003370–)	Hose Assembly	1
▲	11531	(003370–)	Clamp, Worm Drive	1
▲	50845	(003370–)	Hose, Hopper	1
▲	22297	(003370–)	Clamp, Worm Drive	2
▲	40870–1	(003370–)	Hose Assembly	1
▲	25649	(003370–)	Hose, Squeegee	1
▲	43555	(003370–)	Clamp, Worm Drive	2
▽	02455	(003370–)	Seal Kit, Tank Door, SRS®	1
▲	78802	(003370–)	Gasket	3
▲	06229	(003370–)	Gasket, Door	1
▲	79500	(003370–)	Sheet, Top Sandblast	2
▲	76395	(003370–)	Gasket, Sandblast Cover	1
▲	79557	(003370–)	Gasket, Air Outlet	1
▲	76532	(003370–)	Gasket, Front Suction Tube	1
▲	25665	(003370–004344)	Replacement Kit, Thumbscrew	10
▲	25656	(004345–)	Fastener, Thumbscrew	10
▲	28165	(003370–004344)	Fastener, Nut	10
▲	25663	(004345–)	Fastener, Nut	10
▲	26015	(003370–)	Fastener, Washer	10
▲	79391	(003370–)	Gasket, Solution Door	1
▲	06223	(003370–)	Gasket	2
▲	79545	(003370–)	Gasket	1
▲	23498	(003370–)	Clamp, Worm Drive	1

Fig. 2 – Replacement Brushes



02575 – ALL

Ref.	Tennant Part No.	Machine Serial Number	Description	Qty.
1	75718	(003370–)	Brush, Polypropylene	2
1	75722	(003370–)	Brush, Abrasive Bristle	2
	12876		Brush Kit, Flange Repair	1

Fig. 3 – Seat Group

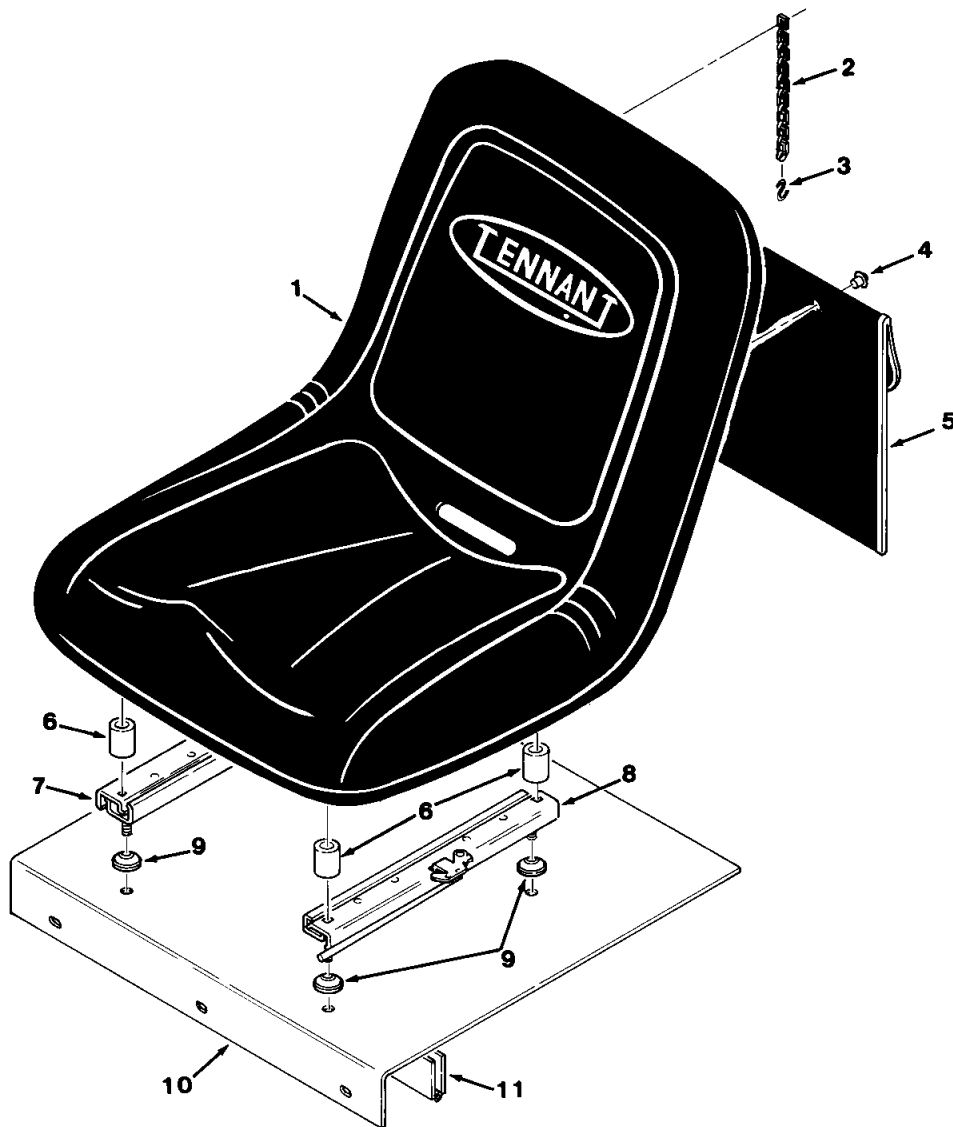
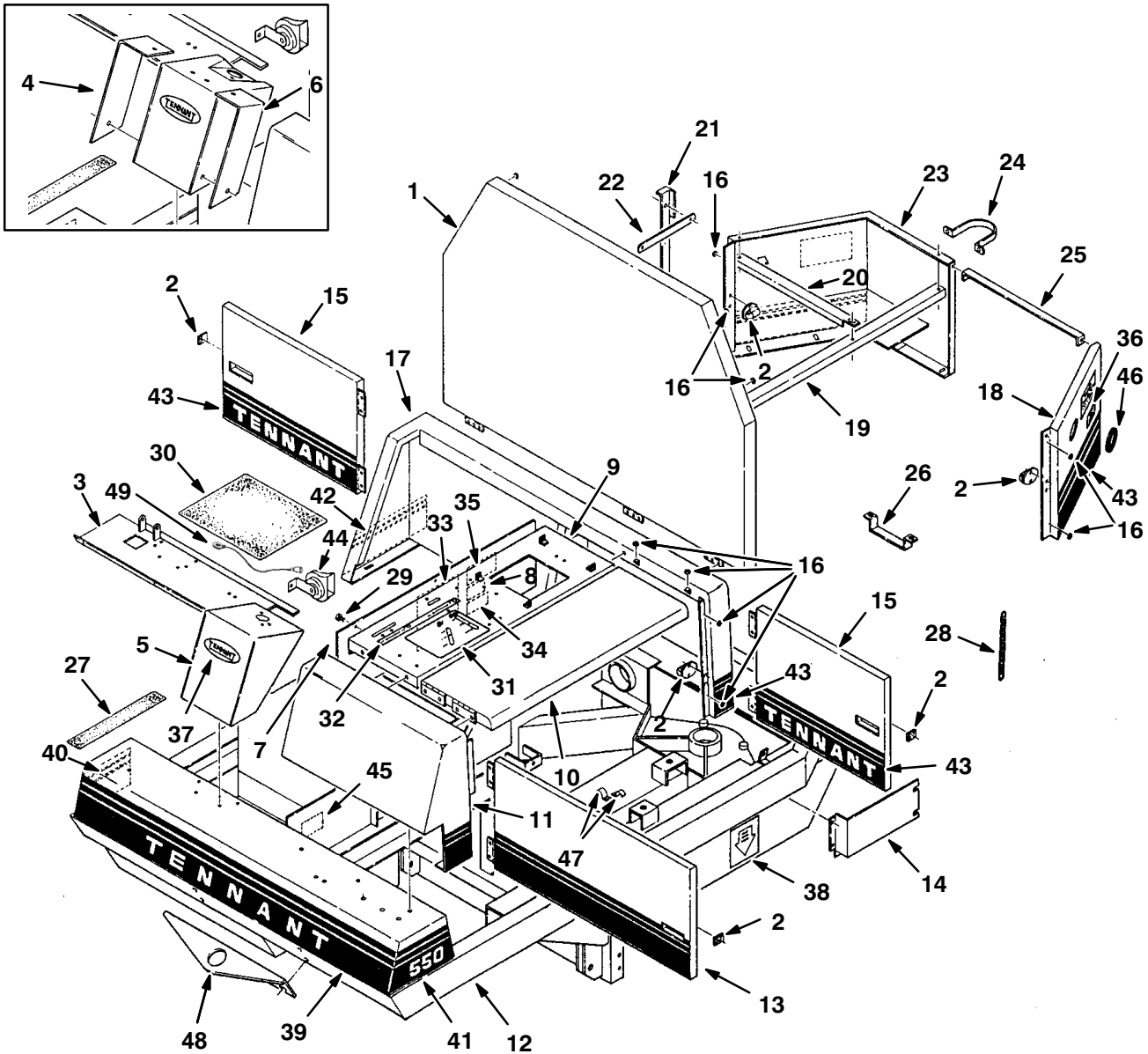


Fig. 3 – Seat Group

Ref.	Tennant Part No.	Machine Serial Number	Description	Qty.
1	79605	(003370–)	Seat	1
2	43203	(003370–)	Chain	1
3	43363	(003370–)	Hook, S	1
4	68567	(003370–)	Rivet, Pop	2
5	68275	(003370–004674)	Pouch, Operator's Manual, 13.6 in (345mm)	1
5	48790	(004675–)	Pouch, Operator's Manual, 7.5 in (190mm)	1
6	02997	(003370–)	Sleeve	4
7	51459	(003370–)	Adjuster, Seat	1
8	51458	(003370–)	Adjuster Assembly, Seat	1
9	52615	(003370–)	Spacer, Seat Adjuster	4
10	16669	(003370–)	Plate, Seat Mount	1
11	75272	(003370–)	Hinge, Seat	1

Fig. 4 – Main Frame Group



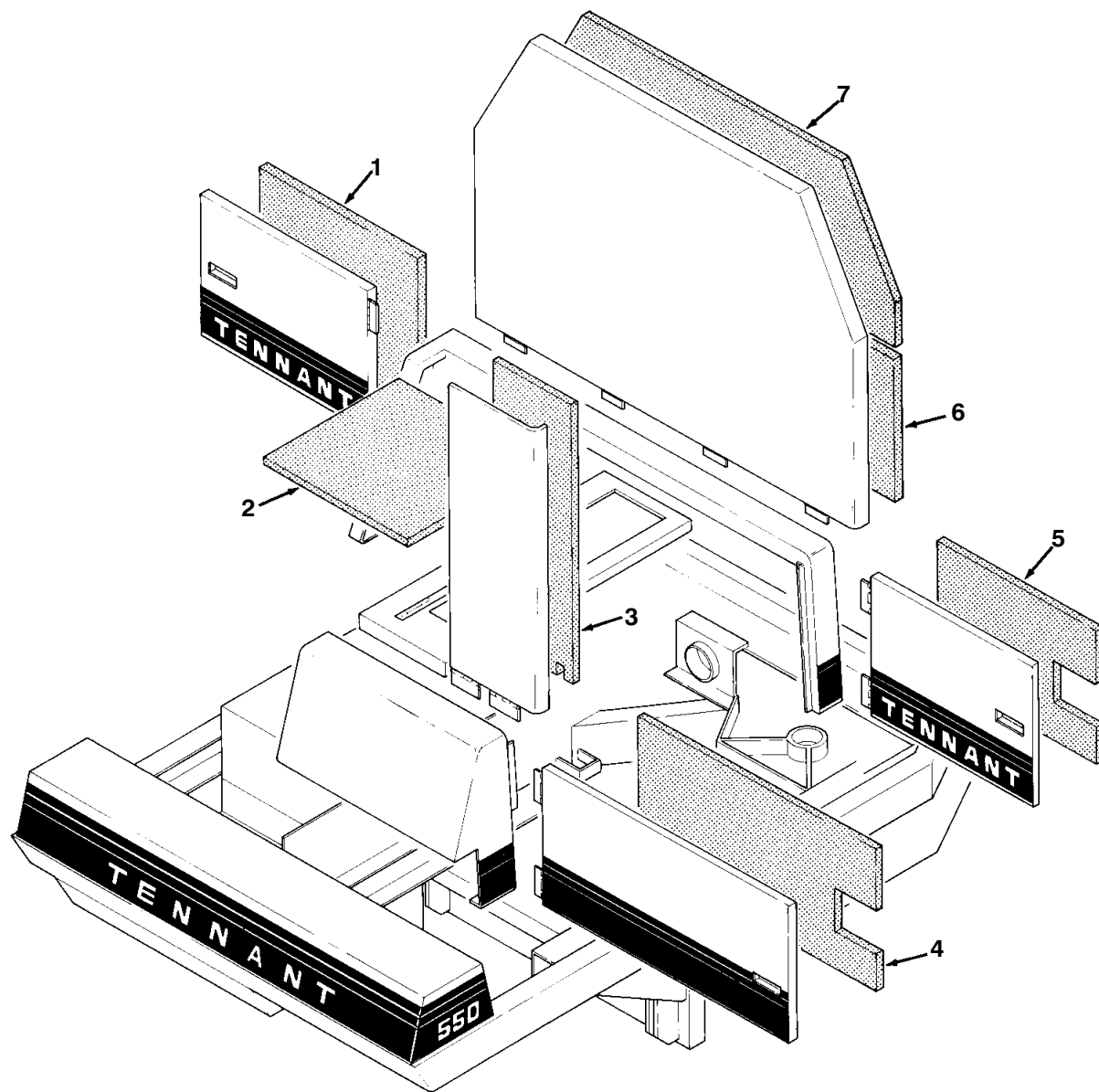
09796 – 550, NA

Ref.	Tennant Part No.	Machine Serial Number	Description	Qty.	
1	76811	(003370–)	Door, Engine Cover	1	
2	64903	(003370–)	Latch, Door	3	
3	76640	(003370–)	Pan, Floor	1	
4	75379	(003370–004362)	Wrap, R.H., Replaced by none	1	
5	25186	(003370–)	Housing, Steering Column	1	
6	75379–1	(003370–004362)	Wrap, L.H., Replaced by none	1	
▽	7	75244–1	(003370–)	Panel, Side Kick	1
▲	8	37089	(003370–)	Label, Caution, Reduce Travel	1
	9	75547	(003370–)	Panel, Dash	1
	10	75268	(003370–)	Door, Hydraulic Tank, Top Access	1
	11	31668	(003370–)	Shroud, Front	1
	12	60970	(003370–)	Frame, Main Tractor	1
	13	75267	(003370–)	Door, Access, Side, L.H.	1

Fig. 4 – Main Frame Group

Ref.	Tennant Part No.	Machine Serial Number	Description	Qty.	
14	76650	(003370–) Cover, Governor	1	
15	76813	(003370–) Door, Rear Side Access	2	
16	51787	(003370–) Bumper, Rubber	12	
17	75480A	(003370–) Back Frame	1	
▽	18	78104–4	(003370–) Shroud, Engine Compartment, L.H.	1
▲		57630	(003370–) Label, Danger, Keep Out Pinch	1
	19	32575	(003370–) Brace, Engine Compartment	1
	20	76583	(003370–) Support, Brace	1
	21	01736	(003370–) Arm, Engine Cover Support	1
		43454	(003370–) Washer, Nylon	3
	22	32580	(003370–) Link, Engine Cover Support	1
▽	23	78140–1	(003370–) Shroud, Engine Compartment, R.H.	1
▲		57630	(003370–) Label, Danger, Keep Out Pinch	1
	24	78118	(003370–004152) Clamp, Hose	1
	25	76562	(003370–) Angle, Grille	1
	26	76869	(003370–) Bracket, Hose	1
	27	75430	(003370–) Pad, Non–skid	1
	28	48183	(003370–) Chain, Static Drag	1
		50646	(003370–) Trim, Plastic, Steering Column Housing	4
	29	24593	(003370–) Screw, Hex	6
		62595–18	(003370–) Molding, Rigid, 3.0" (76 mm)	2
	30	69571	(003370–) Mat, Floor	1
	31	76354	(003370–) Label, Brushes	1
	32	76113	(003370–) Label, Throttle and Solution	1
	33	76156	(003370–) Label, Maintenance Chart	1
	34	76067	(003370–) Label, Tire Pressure	1
	35	48242	(003370–) Label, Important	1
	36	51368	(003370–) Label, Maintenance Note	1
	37	27474	(003370–) Label, TENNANT®	1
	38	76158	(003370–) Label, Jack At This Point	2
	39	75812	(003370–) Label, Stripe, Front	1
	40	75813	(003370–) Label, Wing, R.H.	1
	41	75814	(003370–) Label, Wing, L.H.	1
	42	75810	(003370–) Label, Stripe, Side	2
	43	75811	(003370–) Label, Stripe	2
	44	21642	(003370–) Horn, 12 Volt	1
	45	37101	(003370–) Label, Patent, Scrubber	1
	46	62595–4	(003370–) Molding, Rigid	1
	47	44031	(003370–) Clamp	2
		10632–12	(003370–) Grommet, 0.38" (10 mm) I.D.	1
		62595–9	(003370–) Molding, Rigid, 17.75" (450 mm) L	1
	48	32117	(005101–) Bracket, Tow Bypass	1
	49	70284	(003370–) Wire, Lead	1

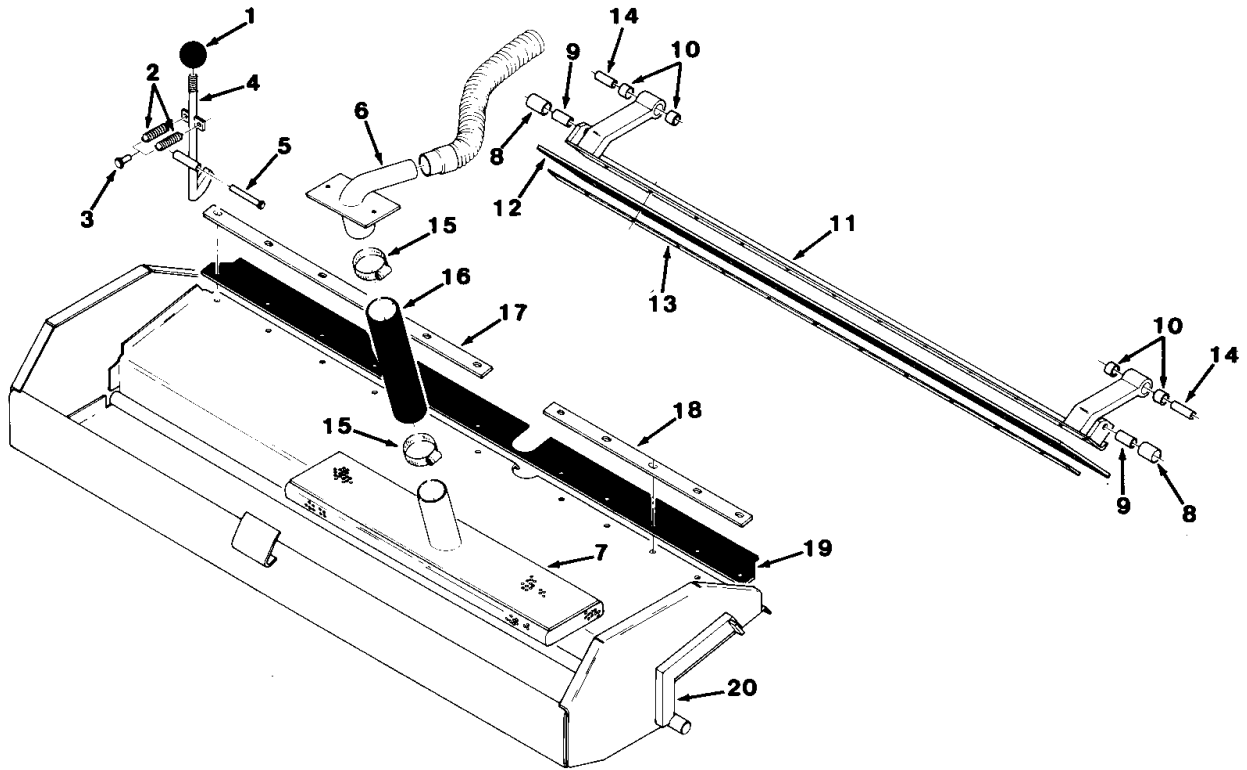
Fig. 5 – Noise Insulation Group



00314 – 550, 1550, NA

Ref.	Tennant Part No.	Machine Serial Number	Description	Qty.
1	76864	(003370–)	Insulation, Side Door, R.H.	1
2	76870	(003370–)	Insulation, Seat	1
3	76867	(003370–)	Insulation, Top, Hydraulic Tank Door	1
4	76868	(003370–)	Insulation, Front, Side Door, L.H.	1
5	76864	(003370–)	Insulation, Rear, Side Door, L.H.	1
6	76866	(003370–)	Insulation, Engine Access Door	1
7	78012	(003370–)	Insulation, Engine Access Door	1

Fig. 6 – Hopper Group



00299 – 550, 550E

Ref.	Tennant Part No.	Machine Serial Number	Description	Qty.	
1	26156	(003370–)	Knob	1	
2	75575	(003370–)	Spring	2	
3	46800	(003370–)	Pin, Clevis	1	
4	75530	(003370–)	Latch, Hopper	1	
5	23191	(003370–)	Pin, Clevis	1	
6	75607	(003370–)	Nozzle, Hopper	1	
7	40061A	(003370–)	Strainer, Suction	1	
▽	75634	(003370–)	Deflector Assembly, Scrub Brush	1	
▲	8	75642	(003370–)	Bearing, Sleeve	2
▲	9	75636	(003370–)	Sleeve	2
▲	10	75681	(003370–)	Bearing	4
▲	11	75638	(003370–)	Deflector, Scrub Brush	1
▲	12	75649	(003370–)	Skirt, Deflector	1
▲	13	75648	(003370–)	Retainer, Deflector Skirt	1
14	75643	(003370–)	Sleeve	2	
15	22297	(003370–)	Clamp, Worm Drive	2	
16	50845	(003370–)	Hose, Hopper	1	
▽	75569	(003370–)	Hopper Assembly	1	
▲	17	75571	(003370–)	Retainer, Hopper Lip	1
▲	18	75572	(003370–)	Retainer, Hopper Lip	1
▲	19	75570	(003370–)	Lip, Hopper	1
▲	20	75550	(003370–)	Hopper, Debris	1

Fig. 7 – Scrub Head Lift Group

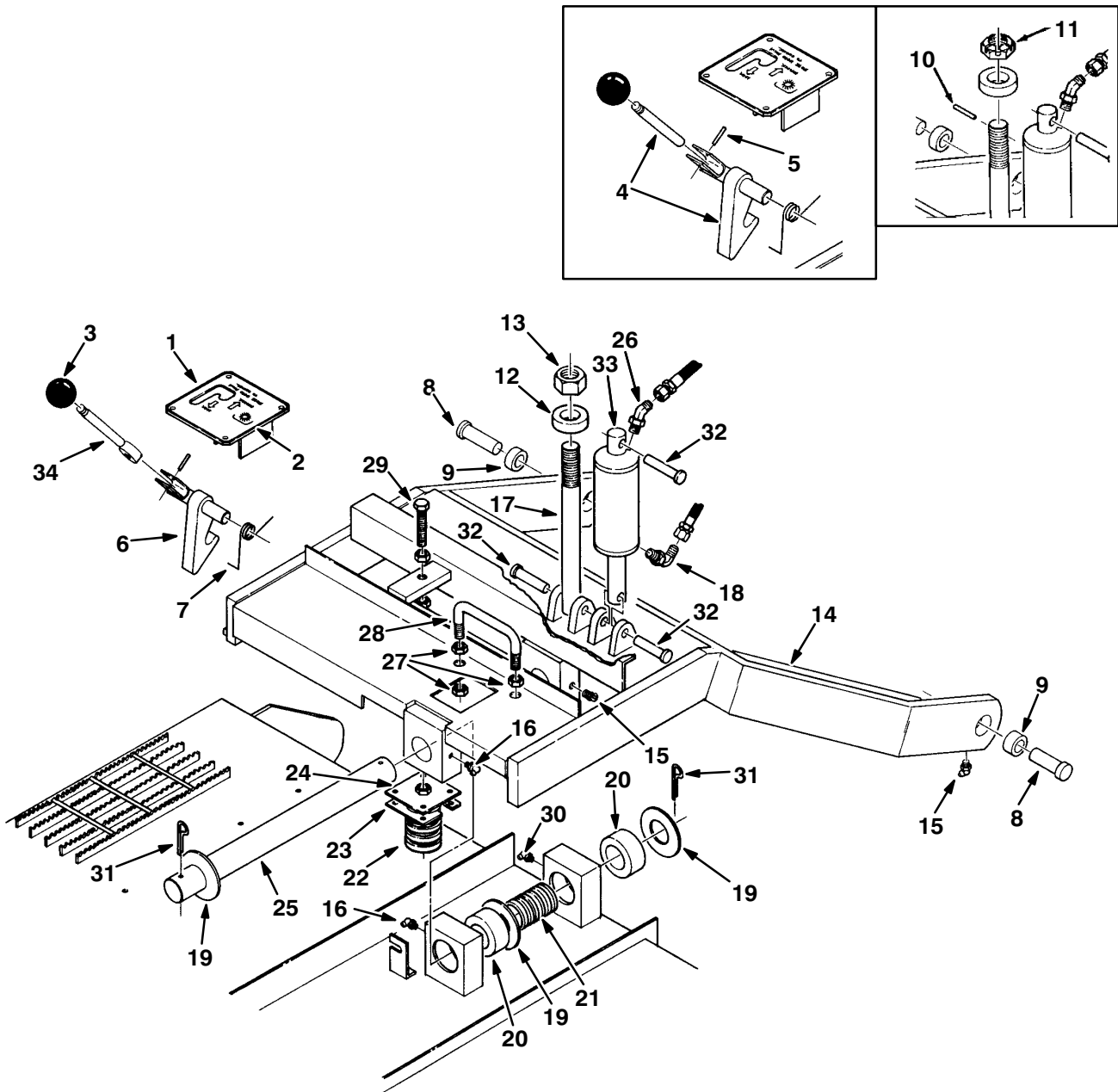


Fig. 7 – Scrub Head Lift Group

Ref.	Tennant Part No.	Machine Serial Number	Description	Qty.
1	76063	(003370–)	Label, Headlock	1
2	76628	(003370–)	Cover, Headlock	1
3	26565	(003370–)	Knob	1
4	25224	(003370–004164)	Replacement Kit, Headlock	1
5	11476	(003370–004164)	Pin, Roll	1
6	25219	(004165–)	Pivot, Headlock	1
7	78078	(003370–)	Spring	1
8	04733–12	(003370–)	Pin, Clevis	2
9	42120	(003370–)	Bearing	2
10	14326	(003370–003402)	Pin, Roll	1
11	25018	(003370–003402)	Nut, Slotted	1
12	15398	(003370–)	Sleeve	1
13	02589	(003403–)	Nut, Nylon	1
14	75627	(003370–)	Lift, Scrubber Head	1
15	11716	(003370–)	Fitting, Grease, 45°	3
16	11048	(003370–)	Fitting, Grease	2
17	75622	(003370–)	Stud	1
18	77097	(003370–)	Fitting, Elbow	1
19	39348	(003370–)	Washer	3
20	42120–9	(003370–)	Bearing	2
21	75617	(003370–)	Spring	1
22	40846	(003370–)	Spring	1
23	75766	(003370–)	Plate, Mounting	1
24	75764	(003370–)	Plate	1
25	75616	(003370–)	Shaft, Pivot	1
26	34359	(003370–)	Fitting, Elbow, 45°	1
27	32524	(003370–)	Nut	4
28	48901	(003370–)	U-Bolt	1
29	53963A	(003370–)	Screw, Hex	1
30	06418	(003370–)	Fitting, Grease	1
31	08174	(003370–)	Pin, Cotter	2
32	06279	(003370–)	Pin, Clevis	3
33	31554	(003370–003879)	Cylinder, Hydraulic	1
33	09624	(003880–)	Cylinder, Hydraulic	1
34	25220	(004165–)	Lever, Headlock	1

Fig. 8 – Solution Supply and Control Group

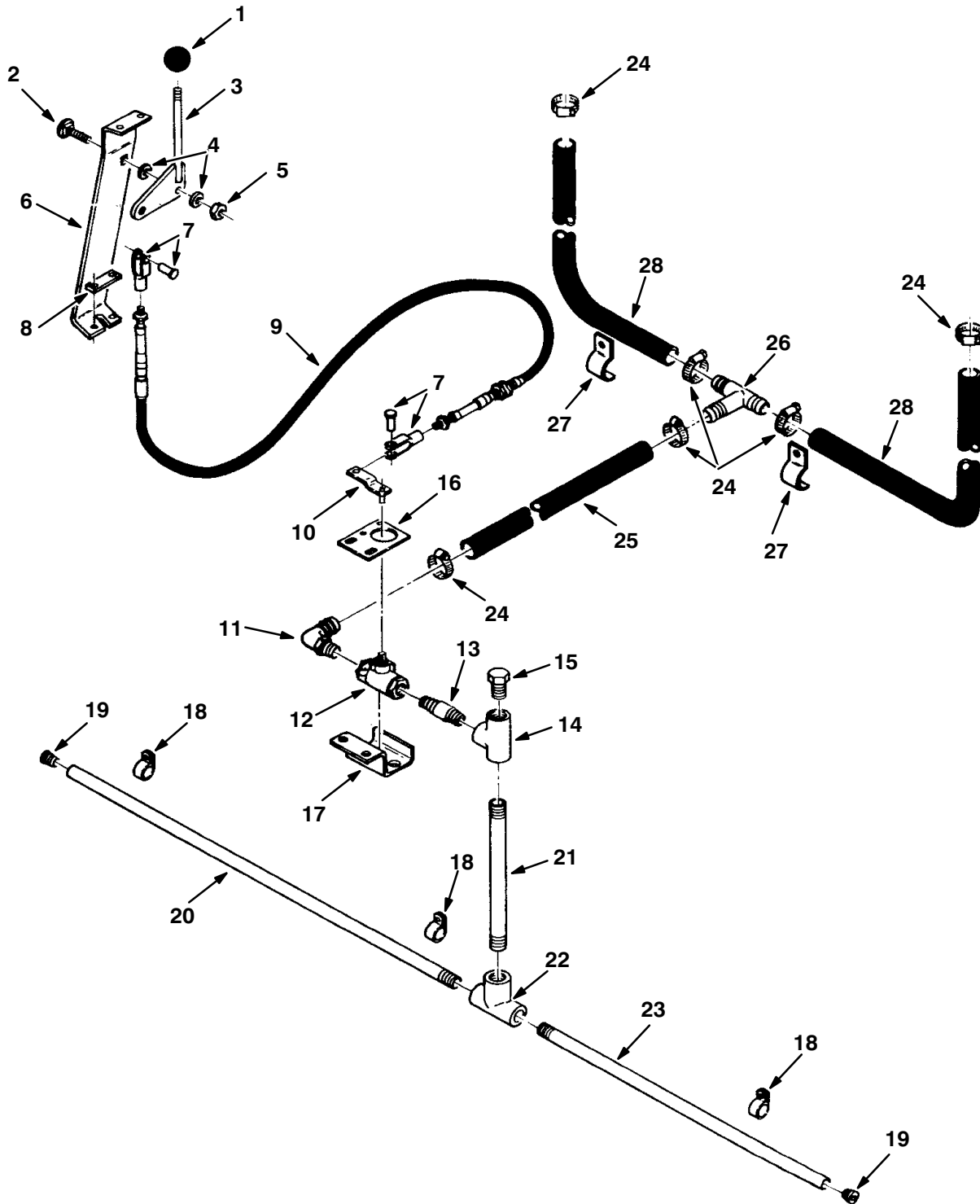


Fig. 8 – Solution Supply and Control Group

Ref.	Tennant Part No.	Machine Serial Number	Description	Qty.
1	26565	(003370–)	Knob	1
▽	75318	(003370–)	Lever Assembly, Solution Control	1
▲	2 56903	(003370–)	Bolt	1
▲	3 08791	(003370–)	Bellcrank	1
▲	4 52296	(003370–)	Washer, Nylon	2
▲	5 50902	(003370–)	Nut	1
▲	6 75319	(003370–)	Bar, Mounting	1
▲	7 41063	(003370–)	Clevis and Pin	2
▲	8 23515	(003370–)	Strip, Cable Mounting	1
▲	9 75314	(003370–)	Cable, Solution Control	1
10	75801	(003370–004014)	Arm, Control	1
10	12072	(004015–)	Arm, Control	1
11	75604	(003370–)	Elbow	1
12	12052	(003370–004014)	Valve Replacement Kit, Water	1
12	12060	(004015–)	Valve, Water	1
13	75601A	(003370–)	Tube, Connector	1
14	42133A	(003370–)	Tee, Plastic	1
15	75611	(003370–)	Plug, Flushing	1
16	75803	(003370–004014)	Plate, Valve Mounting	1
16	12074	(004015–)	Plate, Valve Mounting	1
17	75802–1	(003370–)	Bracket, Water Valve Mounting	1
18	50544	(003370–)	Clamp, Cable	3
19	42153A	(003370–)	Plug, Tube	2
20	75596A	(003370–)	Tube, Spreader	1
21	31313	(003370–)	Tube, Spreader	1
22	42133A	(003370–)	Tee, Plastic	1
23	75597A	(003370–)	Tube, Spreader	1
24	11399	(003370–)	Clamp, Worm Drive	6
25	47846	(003370–)	Hose, Solution	1
26	75119	(003370–)	Tee, Plastic	1
27	44031	(003370–)	Clamp, Hose	2
28	47845	(003370–)	Hose, Solution	2

Fig. 9 – Right Side Squeegee Assembly

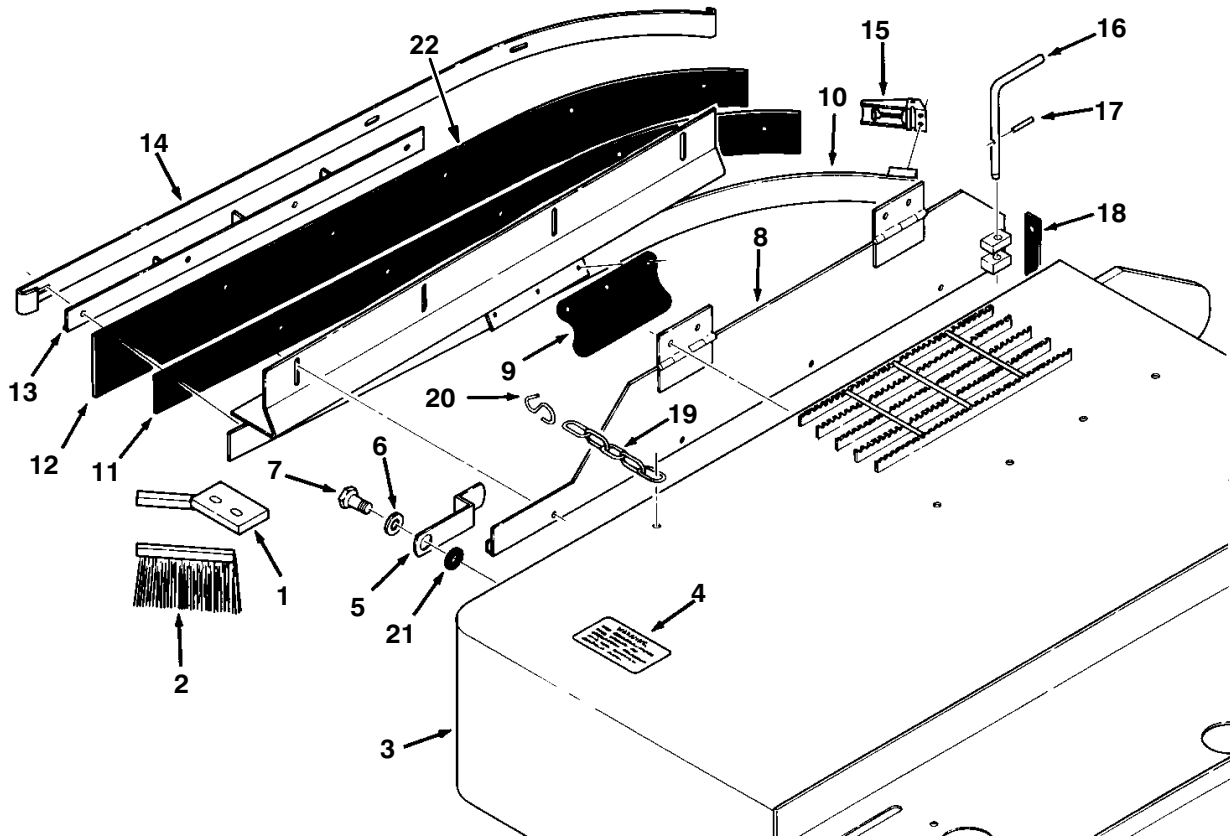


Fig. 9 – Right Side Squeegee Assembly

	Ref.	Tennant Part No.	Machine Serial Number	Description	Qty.
▽		75712	(003370–) Deflector Assembly, Brush	1
▲	1	75702	(003370–) Retainer, Brush	1
▲	2	75711	(003370–) Brush	1
▽	3	75501–1	(003370–) Frame, Scrubber Head	1
▲	4	40575	(003370–) Label, Warning, Use Scrubber	2
	5	75757	(003370–) Latch, Door	1
	6	32486	(003370–) Washer	1
	7	39810	(003370–) Screw, Hex	1
▽		75790	(003370–) Squeegee Assembly, Right Side	1
▲	8	75791	(003370–) Door, Squeegee	1
▲	9	59617	(003370–) Flap, Containment	1
▲	10	75788	(003370–) Frame, Side Squeegee, R.H.	1
▲	11	75799	(003370–) Strip, Backup	1
▲	12	60015	(003370–) Blade, Squeegee	1
▲	13	75588	(003370–) Bracket, Bridge	1
▲	14	75592	(003370–) Band, Squeegee, Retaining	1
▲	15	87579	(003370–) Latch, Cam Lock Band	1
▲	16	75528	(003370–) Pin, Door Locking	1
▲	17	11476	(003370–) Pin, Roll	1
	18	75740	(003370–) Guard, Splash	1
▽		40759	(003370–) Chain and Hook Assembly	1
▲	19	40758	(003370–) Chain	1
▲	20	40646	(003370–) Hook, Chain	1
	21	59633	(003370–) Bearing, Thrust	2
	22	78562	(003370–) Blade, Squeegee, Urethane	1

Fig. 10 – Left Side Squeegee Assembly

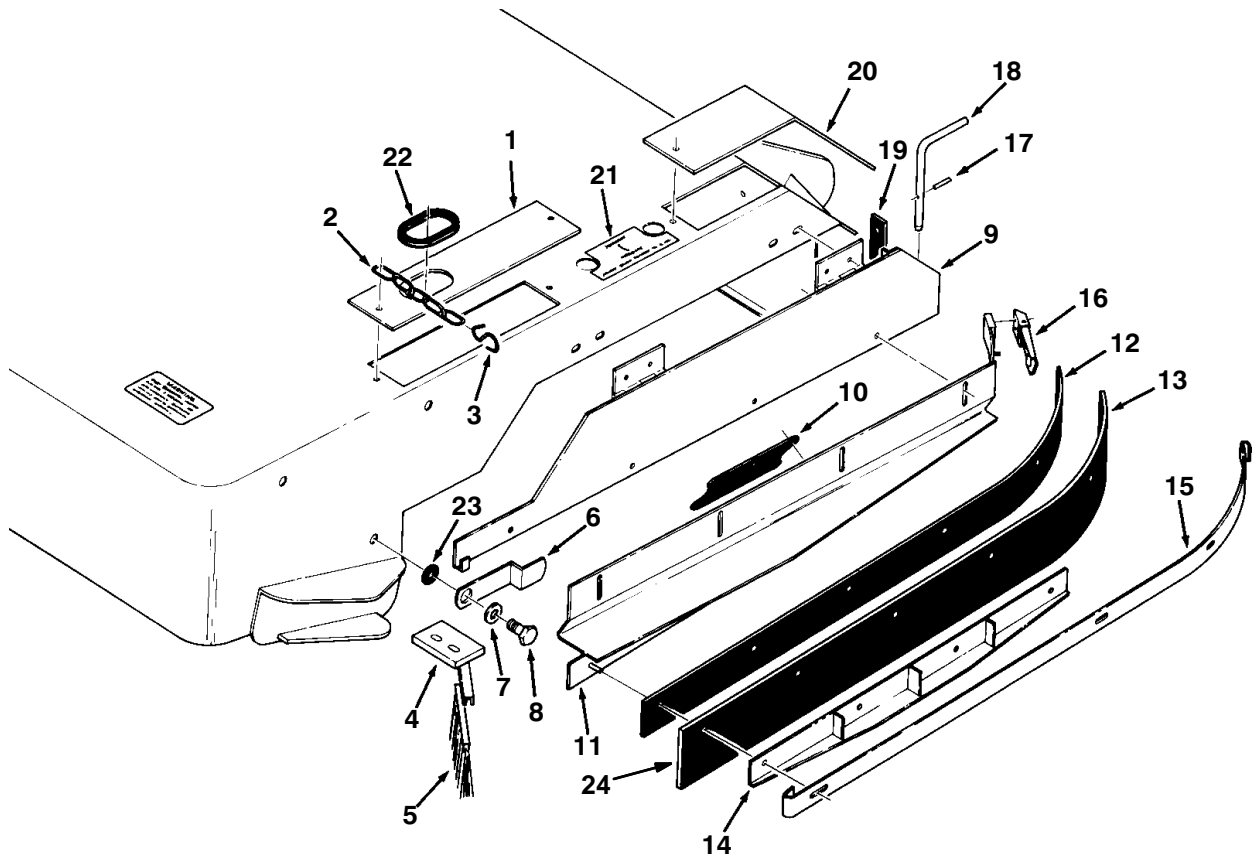
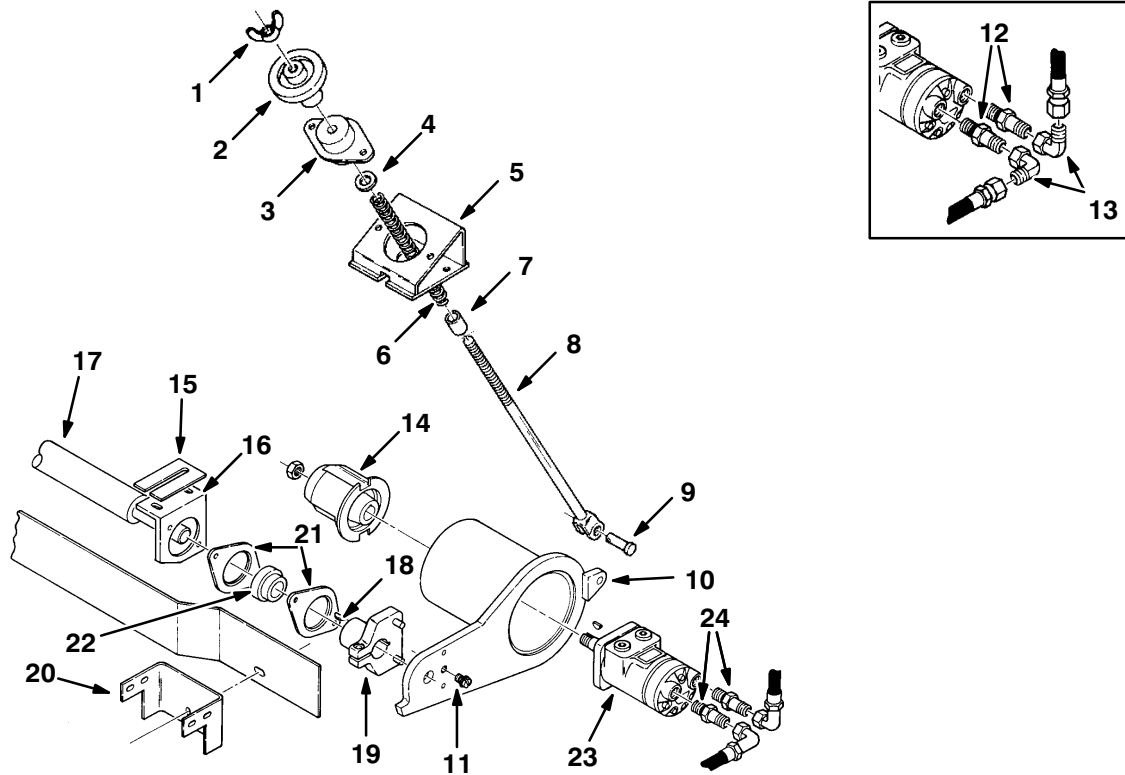


Fig. 10 – Left Side Squeegee Assembly

Ref.	Tennant Part No.	Machine Serial Number	Description	Qty.
1	31634	(003370–)	Strip, Cover	1
▽	40759	(003370–)	Chain, Assembly, Door	2
▲	2 40758	(003370–)	Chain	1
▲	3 40646	(003370–)	Hook	1
▽	75713	(003370–)	Deflector Assembly, Brush, L.H.	1
▲	4 75703	(003370–)	Retainer, Brush	1
▲	5 75711	(003370–)	Brush	1
	6 75757	(003370–)	Latch, Door	1
	7 32486	(003370–)	Washer	1
	8 39810	(003370–)	Screw, Hex	1
▽	75795	(003370–)	Squeegee Assembly, Left Side	1
▲	9 75796	(003370–)	Door, Squeegee, L.H.	1
▲	10 59617	(003370–)	Flap, Containment	1
▲	11 75789	(003370–)	Frame, Side Squeegee, L.H.	1
▲	12 75799	(003370–)	Strip, Backup	1
▲	13 60015	(003370–)	Blade, Squeegee	1
▲	14 75588	(003370–)	Bracket, Bridge	1
▲	15 75592	(003370–)	Band, Squeegee, Retaining	1
▲	16 87579	(003370–)	Latch, Cam Lock Band	1
▲	17 11476	(003370–)	Pin, Roll	1
▲	18 75528	(003370–)	Pin, Door Locking	1
	19 75740	(003370–)	Guard, Splash	1
	20 76677	(003370–)	Strip, Cover	1
	21 76066	(003370–)	Label, Brush Pressure	1
	22 10632–19	(003370–)	Grommet	1
	23 59633	(003370–)	Bearing, Thrust	2
	24 78562	(003370–)	Blade, Squeegee, Urethane	1

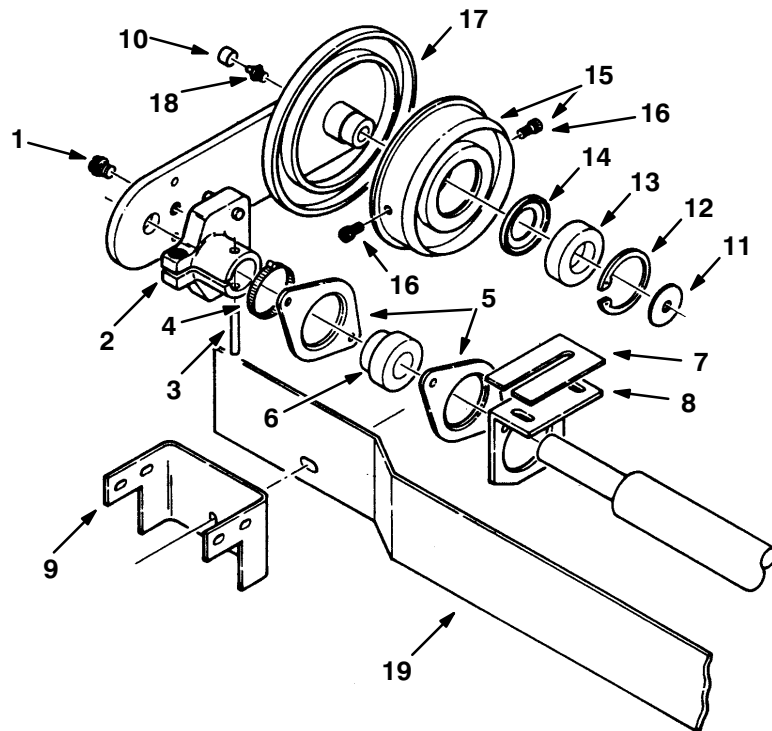
Fig. 11 – Front Brush Drive Components Group



00320-02487- 550, 1550

Ref.	Tennant Part No.	Machine Serial Number	Description	Qty.	
1	39274	(003370-)	Lock, Knob, Adjusting	1	
2	51452	(003370-)	Knob, Adjusting	1	
3	75768	(003370-)	Isolator, Vibration	1	
4	32493	(003370-)	Washer	1	
5	75769	(003370-)	Bracket, Mounting	1	
6	75773	(003370-)	Spring	1	
7	75772	(003370-)	Sleeve	1	
8	06573	(003370-)	Link, Brush Lift	1	
9	75520	(003370-)	Pin, Clevis	1	
10	76667	(003370-)	Arm, Brush Drive	1	
11	51938	(003370-)	Plug, Plastic	1	
12	31605	(003370-005528)	Fitting, Straight	2	
13	17980	(003370-005528)	Fitting, Elbow	2	
14	76568	(003370-)	Plug, Brush Drive	1	
15	75600	(003370-)	Shim, Bracket, 0.12" (3 mm)	3	
	76218	(003370-)	Shim, Bracket, 0.06" (1.5 mm)	1	
16	42499	(003370-)	Bracket, Bearing, L.H.	1	
▽	75761	(003370-)	Shaft Assembly, Brush	1	
▲	17	75786	(003370-)	Shaft, Brush	1
▲	18	00500-20	(003370-)	Key, Woodruff	1
▲	19	75780	(003370-)	Hub, Brush	1
	20	75760	(003370-)	Channel, Bearing Cover	1
	21	42126	(003370-)	Flange, Bearing	2
	22	51448	(003370-)	Bearing	1
	23	27792	(003370-005025)	Motor, Hydraulic (Replaced by 61489) (See Breakdowns)	1
	23	61489	(005026-)	Motor, Hydraulic (See Breakdowns)	1
	24	47518	(005529-)	Fitting, Straight	2

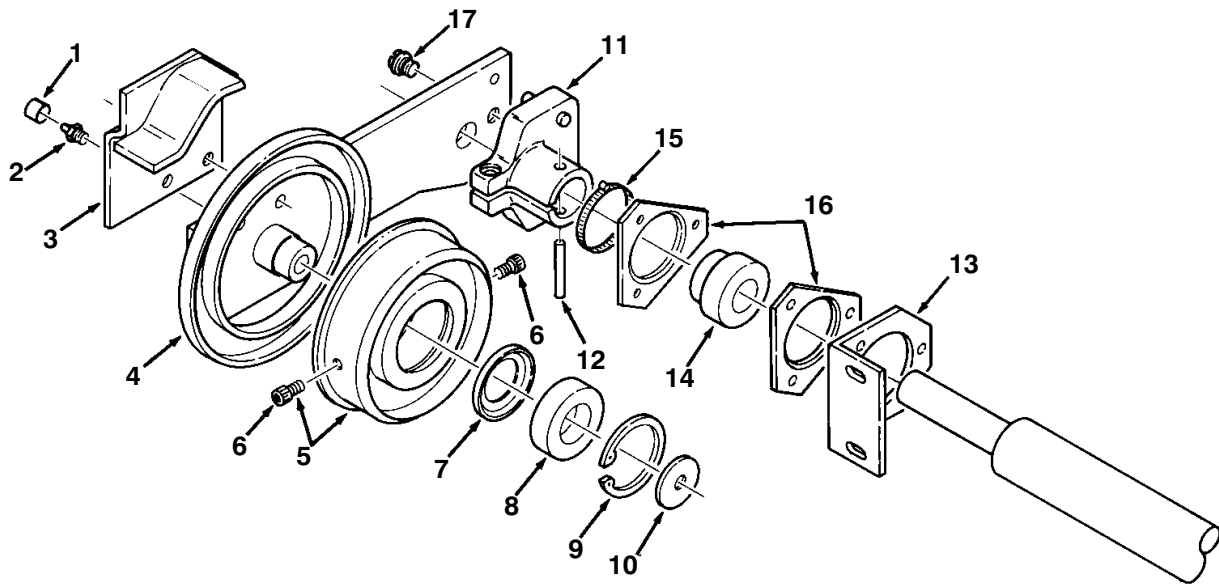
Fig. 12 – Front Brush Idler Assembly



00320 – ALL

Ref.	Tennant Part No.	Machine Serial Number	Description	Qty.
1	51938	(003370–)	Plug, Plastic	1
▽	75761	(003370–)	Shaft Assembly, Brush	1
▲	2	75781	Hub, Brush	1
▲	3	51317	Pin, Roll	1
4	22297	(003370–)	Clamp, Worm Drive	1
5	42126	(003370–)	Flange, Bearing	2
6	51448	(003370–)	Bearing	1
7	75600	(003370–)	Shim, Bearing Bracket, 0.12" (3 mm)	3
	76218	(003370–)	Shim, Bearing Bracket, 0.06" (1.5 mm)	1
8	42498	(003370–)	Bracket, Bearing, R.H.	1
9	75760	(003370–)	Channel, Bearing Cover	1
▽	75656	(003370–)	Idler Assembly, Front Scrub Brush	1
▲	10	40390	Cover, Grease Fitting	1
▲	11	51564	Washer	1
▲	12	51046	Ring, Retaining	1
▲	13	41032	Bearing	1
▲	14	40076	Shield, Bearing	1
▲▽	15	40999A	Plug, Brush Idler	1
▲▲	16	02984	Screw, Socket	2
▲	17	75657	Arm, Front Brush Idler	1
▲	18	06418	Fitting, Grease	1
▲	36328	(003370–)	Washer, Belleville	1
19	25195	(004129–)	Deflector	1

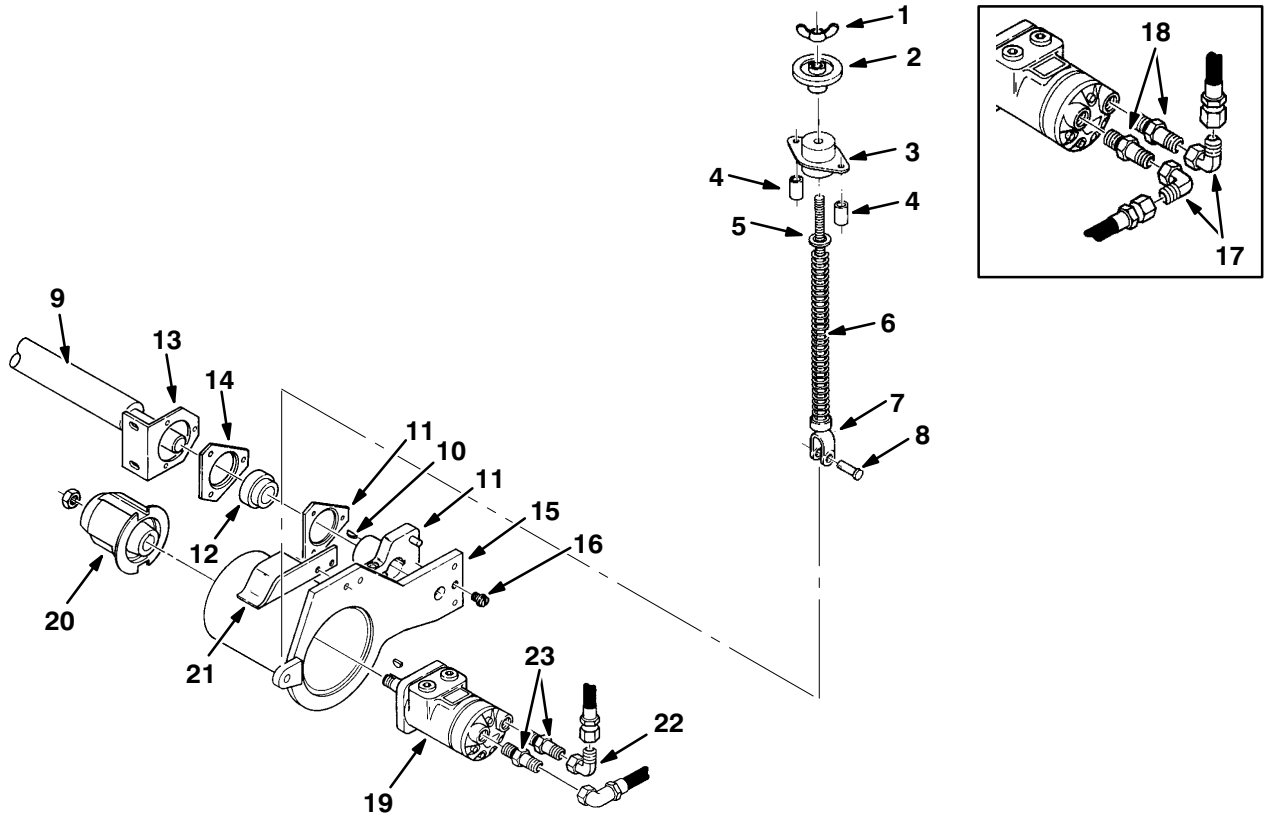
Fig. 13 – Rear Brush Idler Assembly



00320 – ALL

Ref.	Tennant Part No.	Machine Serial Number	Description	Qty.
▽	75654	(003370–) Idler Assembly, Rear Brush	1
▲	1 40390	(003370–) Cover, Grease Fitting	1
▲	2 06418	(003370–) Fitting, Grease	1
▲	3 75631	(003370–) Slide, R.H.	1
▲	4 75655	(003370–) Arm, Rear Brush Idler	1
▲▽	5 40999A	(003370–) Plug, Brush Idler	1
▲▲	6 02984	(003370–) Screw, Socket	2
▲	7 40076	(003370–) Shield, Bearing	1
▲	8 41032	(003370–) Bearing	1
▲	9 51046	(003370–) Ring, Retaining	1
▲	10 51564	(003370–) Washer	1
▲	36328	(003370–) Washer, Belleville	1
▽	75761	(003370–) Shaft Assembly, Brush	1
▲	11 75781	(003370–) Hub, Brush	1
▲	12 51317	(003370–) Pin, Roll	1
	13 42639	(003370–) Bracket, Bearing	1
	14 51448	(003370–) Bearing	1
	15 22297	(003370–) Clamp, Worm Drive	1
	16 51449	(003370–) Flange, Bearing	2
	17 51938	(003370–) Plug, Plastic	1

Fig. 14 – Rear Brush Drive Components Group



00320-02487- 550, 1550

Ref.	Tennant Part No.	Machine Serial Number	Description	Qty.	
1	39274	(003370-)	Lock, Knob Adjusting	1	
2	51452	(003370-)	Knob, Brush Adjusting	1	
3	75768	(003370-)	Isolator, Vibration	1	
4	75772	(003370-)	Spacer, Isolator	2	
5	32493	(003370-)	Washer	1	
6	75774	(003370-)	Spring	1	
7	06573	(003370-)	Link, Brush Lift	1	
8	75520	(003370-)	Pin, Clevis	1	
▽	75761	(003370-)	Shaft Assembly, Brush	1	
▲	9	75786	(003370-)	Shaft, Brush	1
▲	10	00500-20	(003370-)	Key, Woodruff	1
▲	11	75780	(003370-)	Hub, Brush Drive	1
	12	51448	(003370-)	Bearing	1
	13	42639	(003370-)	Bracket, Bearing Mount	1
	14	51449	(003370-)	Flange, Bearing	2
	15	76665	(003370-)	Arm, Brush Drive	1
	16	51938	(003370-)	Plug, Plastic	1
	17	17980	(003370-005528)	Fitting, Elbow	2
	18	31605	(003370-005528)	Fitting, Straight	2
	19	27792	(003370-005025)	Motor, Hydraulic (Replaced by 61489) (See Breakdowns)	1
	19	61489	(005026-)	Motor, Hydraulic (See Breakdowns)	1
	20	76568	(003370-)	Plug, Brush Drive	1
	21	75706	(003370-)	Slide, L.H.	1
	22	54194	(005529-)	Fitting, Elbow	1
	23	47518	(005529-)	Fitting, Straight	2

Fig. 15 – Steering Column Group

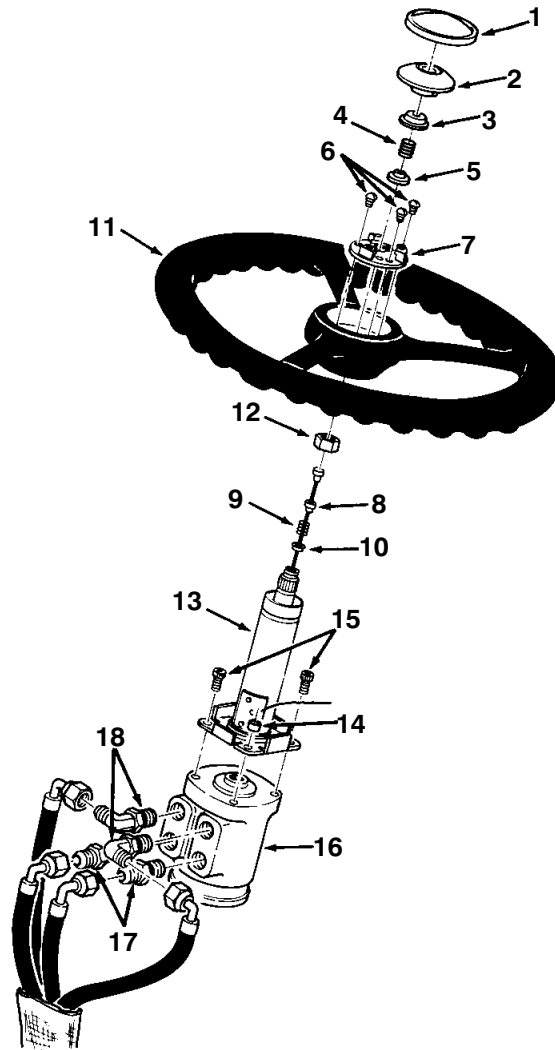
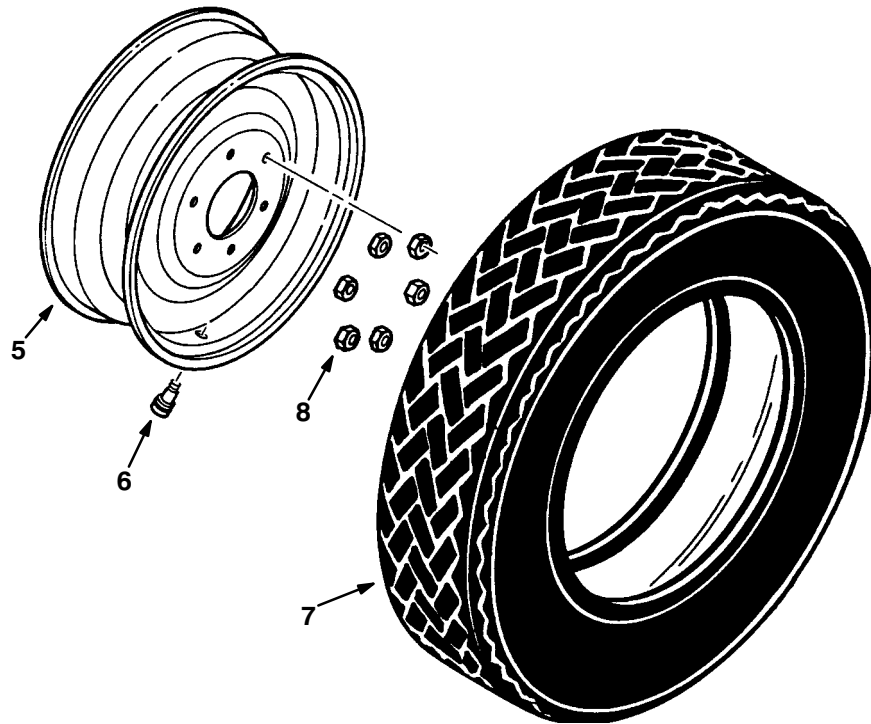
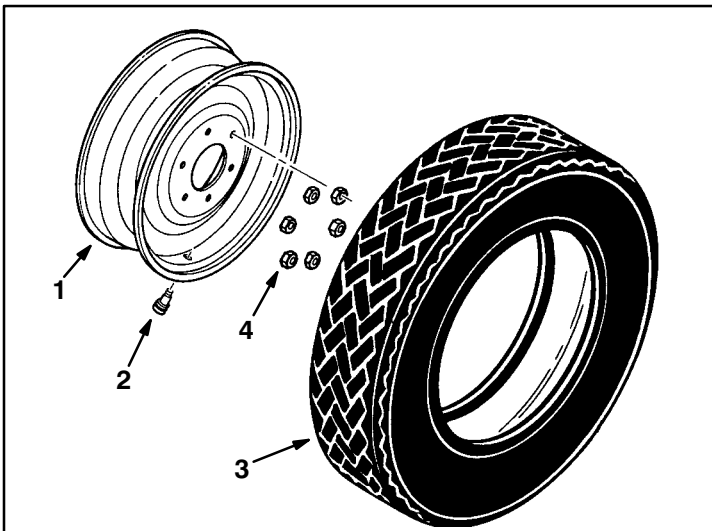


Fig. 15 – Steering Column Group

	Ref.	Tennant Part No.	Machine Serial Number	Description	Qty.
▽		14700	(003370–)	Horn Button Assembly	1
▲	1	47010–7	(003370–)	Cover, Horn Button	1
▲	2	47010–6	(003370–)	Button, Horn	1
▲	3	47010–2	(003370–)	Cup, Contact	1
▲	4	47010–3	(003370–)	Spring	1
▲	5	47010–1	(003370–)	Cap, Contact	1
▲	6	47010–4	(003370–)	Screw, Horn Button, Wood	3
▲	7	14700–4	(003370–)	Plate	1
▲	8	14700–1	(003370–)	Ferrule, Insulation	1
▲	9	14700–2	(003370–)	Spring	1
▲	10	14700–3	(003370–)	Washer	1
	11	17269	(003370–)	Wheel, Steering	1
	12	57676	(003370–)	Nut	1
	13	52388	(003370–)	Column, Steering	1
	14	44310	(003370–)	Sleeve	2
	15	10829	(003370–)	Screw, Socket	2
	16	57982	(003370–005268)	Control, Steering (See Breakdowns)	1
	16	74176	(005269–)	Control, Steering (See Breakdowns)	1
	17	56690	(003370–)	Fitting, Straight	2
	18	56820	(003370–)	Fitting, Elbow	2

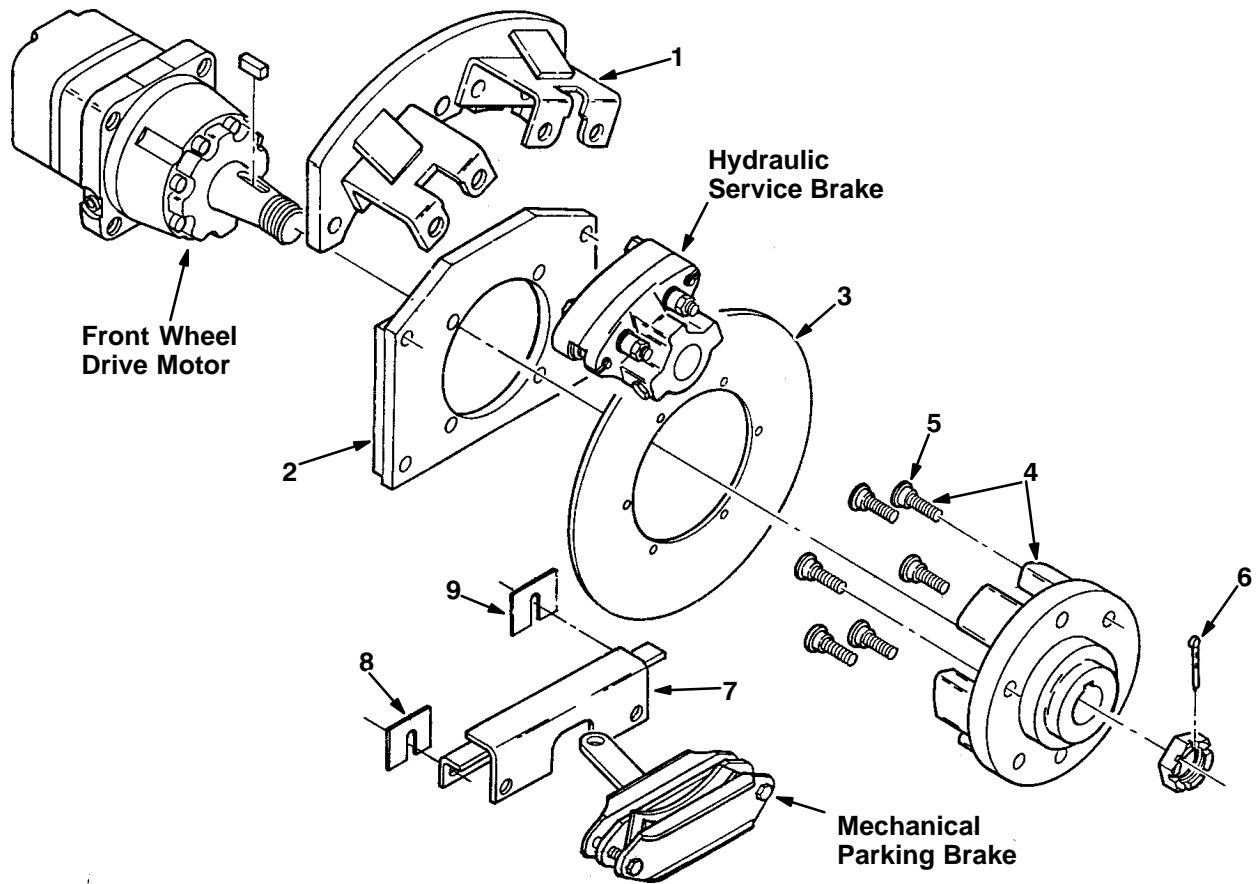
Fig. 16 – Front Wheel Assembly



00311 – 550

Ref.	Tennant Part No.	Machine Serial Number	Description	Qty.
∇	03967	(003370–004506)	Tire & Wheel Assembly (Replaced by 48911)	2
▲ 1	78189	(003370–004506)	Rim, Tire	1
▲ 2	75365	(003370–004506)	Valve, Tire, Air	1
▲ 3	78187	(003370–004506)	Tire (Replaced by 48910)	1
4	24339	(003370–004506)	Nut, Wheel	12
∇	48911	(004507–)	Tire & Wheel Assembly	2
▲ 5	78189	(004507–)	Rim, Tire	1
▲ 6	75365	(004507–)	Valve, Tire, Air	1
▲ 7	48910	(004507–)	Tire	1
8	24339	(004507–)	Nut, Wheel	12

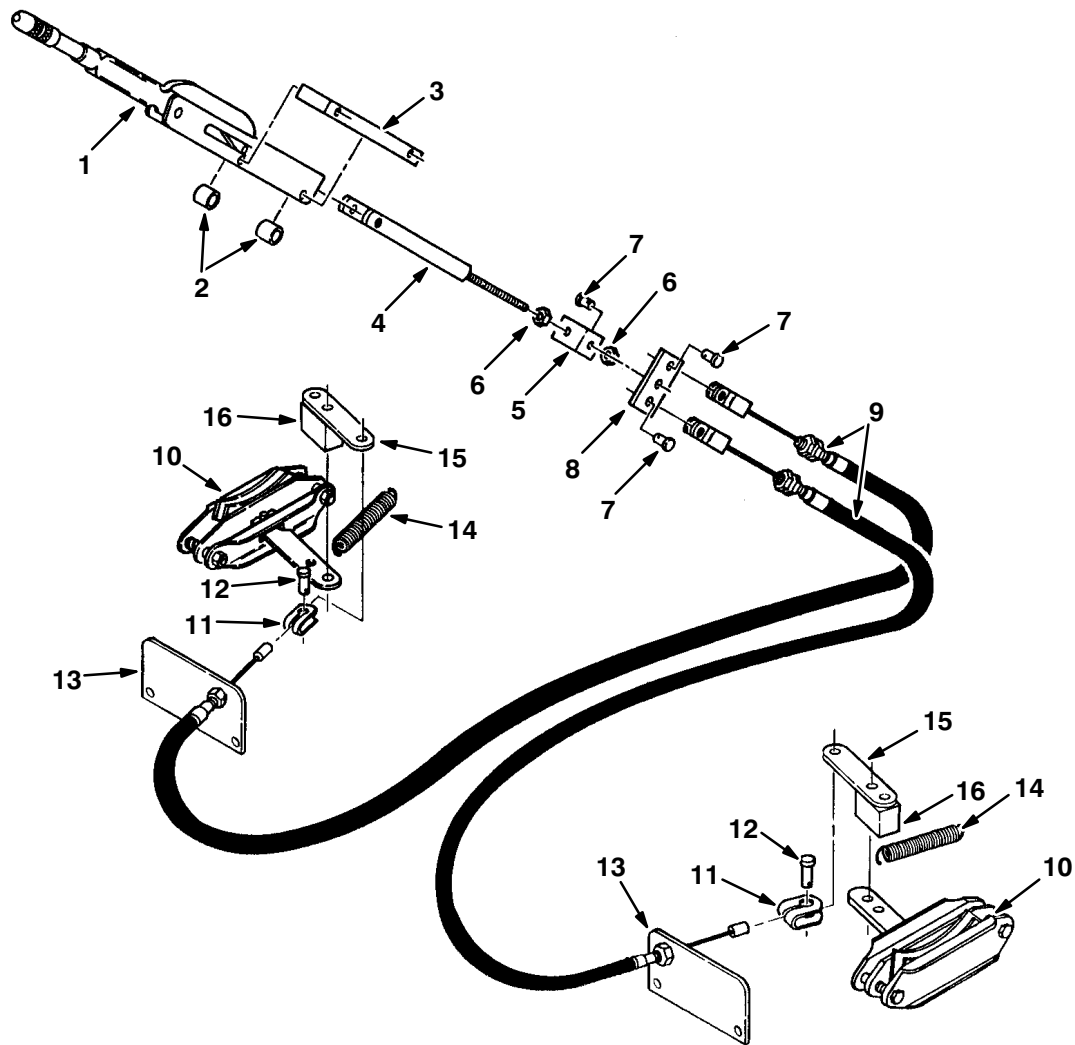
Fig. 17 – Front Wheel Drive Group



09798 – 550

Ref.	Tennant Part No.	Machine Serial Number	Description	Qty.
1	61649	(003370–)	Bracket, Brake	2
2	78191	(003370–)	Plate, Motor Mounting	2
3	78190	(003370–)	Disk, Brake	2
▽ 4	76649	(003370–)	Hub Assembly	2
▲ 5	32126	(003370–)	Stud	6
6	08329	(003370–)	Pin, Cotter	2
7	76539	(003370–)	Bracket, Brake	2
8	04210	(003370–)	Shim, 20 Ga.	4
9	04048	(003370–)	Shim, 16 Ga.	4

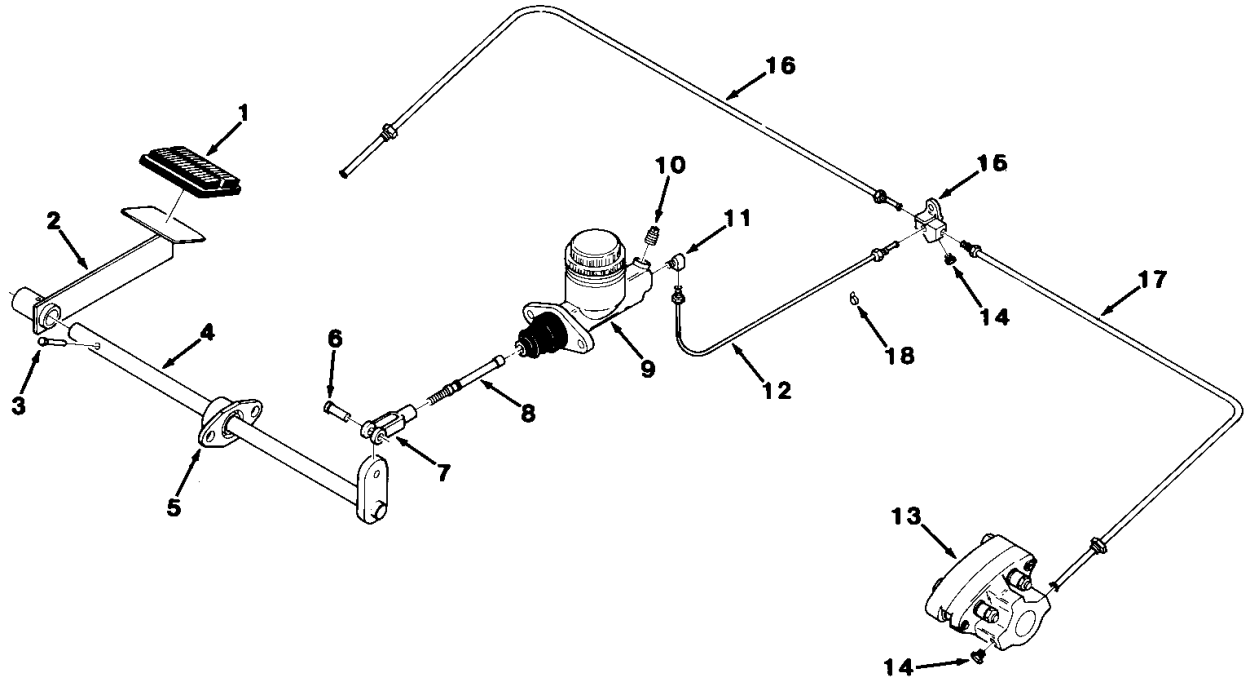
Fig. 18 – Parking Brake Group



06953 – 550

Ref.	Tennant Part No.	Machine Serial Number	Description	Qty.
1	51545	(003370–)	Lever, Parking	1
2	51562	(003370–)	Sleeve, Brake Lever	2
3	76816	(003370–)	Spacer, Brake	1
4	76903	(003370–)	Rod, Adjustment	1
5	76904	(003370–)	Angle, Brake Adjustment	1
6	25014	(003370–)	Nut, Adjustment	2
7	10120	(003370–)	Pin, Clevis	3
8	40354	(003370–)	Strip	1
9	32477	(003370–)	Cable Assembly, Brake, Separate Spring	2
▽ 10	75368	(003370–)	Brake, Mechanical	2
▲	SK2223	(003370–)	Repair Kit, Brake Pad	1
11	75369	(003370–)	Clevis, Brake Cable	2
12	09088	(003370–)	Pin, Clevis	2
13	61258	(003370–)	Bracket, Brake Cable	2
14	50304	(003370–)	Spring, Brake Cable	2
15	75535	(003370–)	Arm, Brake	2
16	61639	(003370–)	Spacer, Brake Arm	2

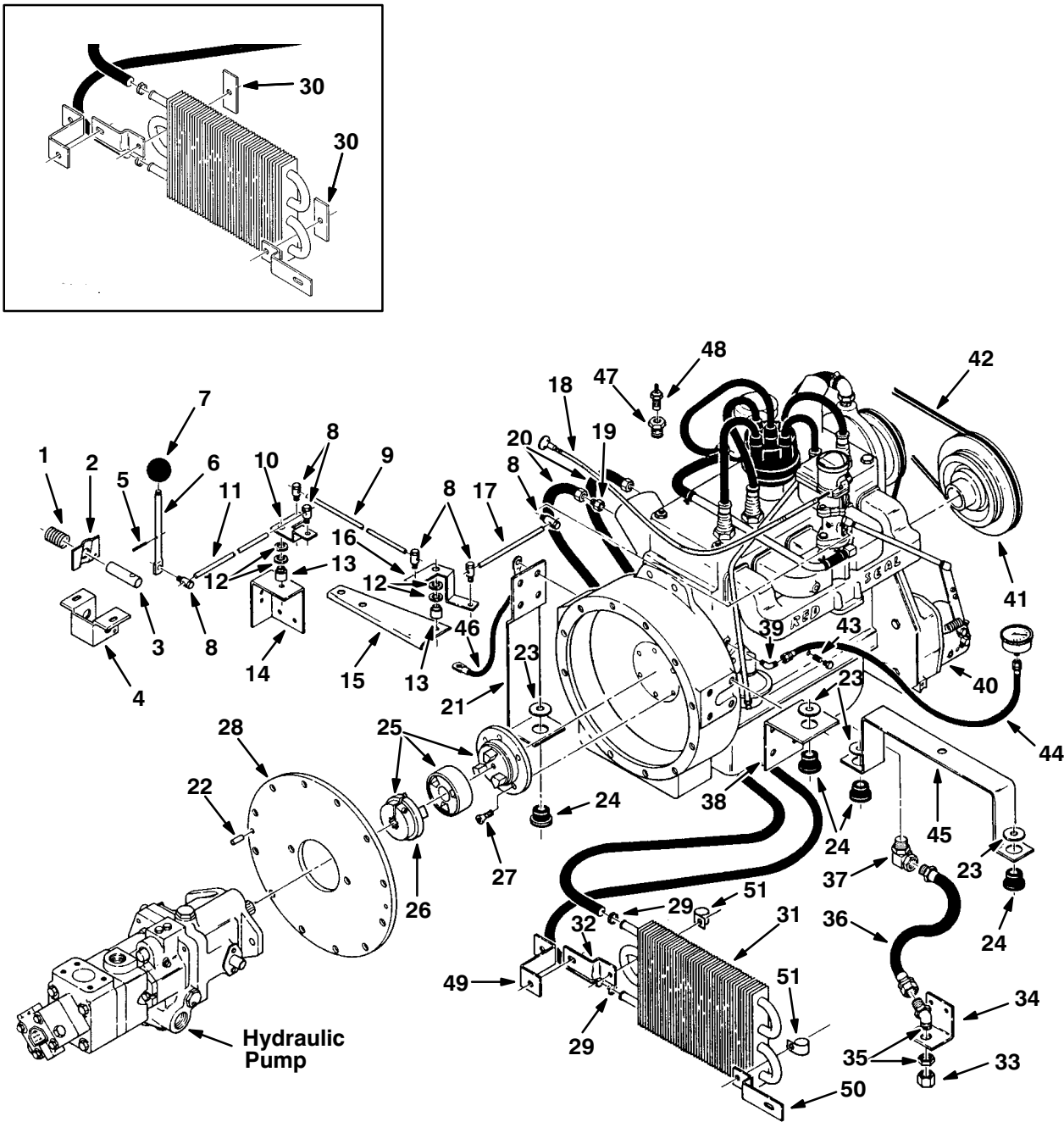
Fig. 19 – Brakes Group



00105 – 550

Ref.	Tennant Part No.	Machine Serial Number	Description	Qty.
1	51109	(003370–)	Pad, Brake	1
2	75249	(003370–)	Pedal, Brake	1
3	26315	(003370–)	Pin, Roll	1
4	78080	(003370–)	Rod, Brake	1
5	26663	(003370–)	Bearing, Flange	1
6	14331	(003370–)	Pin, Clevis	1
7	14330	(003370–)	Clevis, Adjustable	1
8	52163	(003370–)	Rod, Push, Brake	1
▽ 9	50461	(003370–)	Master Cylinder, Brake	1
▲	SK2137	(003370–)	Repair Kit, Master Cylinder	1
10	48126	(003370–)	Plug	1
11	53078	(003370–)	Elbow	1
12	76058	(003370–)	Tube, Brake Line	1
▽ 13	75285	(003370–)	Brake Assembly, Hydraulic	2
▲	SK2222	(003370–)	Repair Kit, Brake	1
14	76087	(003370–)	Plug	3
15	53079	(003370–)	Tee	1
16	42239	(003370–)	Tube Assembly, R.H.	1
17	76059	(003370–)	Tube Assembly, L.H.	1
18	46236	(003370–)	Clamp, Cable	3

Fig. 20 – Engine Group, F163



00106-550

Ref.	Tennant Part No.	Machine Serial Number	Description	Qty.
▽	52925	(003370-003933)	Control Assembly, Throttle	1
▲ 1	51693	(003370-003933)	Spring, Throttle	1
▲ 2	52814	(003370-003933)	Plate, Throttle	1
▲ 3	51692	(003370-003933)	Pin, Throttle Pivot	1
▲ 4	51689	(003370-003933)	Bracket, Throttle	1
▲ 5	20021	(003370-003933)	Pin, Roll	1
▲ 6	51690	(003370-003933)	Lever, Throttle	1
▲ 7	26565	(003370-003933)	Knob	1
▲ 8	47744	(003370-003933)	Ball Joint	6
▲ 9	76580	(003370-003933)	Rod, Throttle Control	1

Fig. 20 – Engine Group, F163

Ref.	Tennant Part No.	Machine Serial Number	Description	Qty.	
10	76800	(003370–003933)	Bellcrank, Throttle	1	
11	76581	(003370–003933)	Rod, Throttle Control	1	
12	52508	(003370–003933)	Washer, Wavy	4	
13	52504	(003370–003933)	Spacer, Throttle Control	2	
14	76579A	(003370–003933)	Mount, Bellcrank	1	
15	52830	(003370–003933)	Bracket, Bellcrank	1	
16	76564	(003370–003933)	Bellcrank, Throttle	1	
17	47743	(003370–003933)	Rod, Throttle Control	1	
18	76560	(003370–003933)	Cable, Choke	1	
19	75400	(003370–003933)	Connector	1	
20	75404	(003370–003933)	Hose	2	
21	76544	(003370–003933)	Bracket, Engine Mounting	1	
22	23999–8	(003370–003933)	Pin, Roll	2	
23	51564	(003370–003933)	Washer, Engine Mounting	4	
24	51176	(003370–003933)	Damper, Engine Mounting	4	
▽	25	78068	(003370–003933)	Coupling Assembly	1
▲	26	76291	(003370–003933)	Insert, Pump Coupling	1
	27	76292	(003370–003933)	Screw, Pump Coupling	6
	28	76290	(003370–003933)	Plate, Pump Mounting	1
	29	43844	(003370–003933)	Clamp, Worm Drive	2
	30	40678–1	(003370–003861)	Strip, Oil Cooler Mounting	2
	31	76588	(003370–003933)	Cooler, Engine Oil	1
	32	75499A	(003370–003933)	Strip, Oil Cooler Mounting, L.H.	1
	33	47579	(003370–003933)	Cap, Engine Oil Drain	1
	34	75420A	(003370–003933)	Bracket, Oil Drain	1
	35	78146	(003370–003933)	Elbow, Oil Drain	1
	36	78126	(003370–003933)	Hose, Engine Oil Drain	1
	37	78032	(003370–003933)	Elbow, Oil Drain	1
	38	76602	(003370–003933)	Bracket, Engine Mounting	1
	39	06507	(003370–003933)	Elbow	1
▽	40	76874A	(003370–003933)	Engine, Gasoline, F163 (Replaced by 60534) (See F163 Engine Parts, Gasoline, LPG)	1
▲	41	76607	(003370–003933)	Sheave, Crankshaft	1
▲	42	76873–1	(003370–003933)	V–Belt	1
▲	43	62515	(003370–003933)	Spring, Compression	1
	44	32552	(003370–003933)	Hose, Oil Pressure Gauge	1
	45	76601	(003370–003933)	Bracket, Engine Mounting	1
	46	29832–7	(003370–003933)	Cable, Grounding	1
	47	78170	(003370–003933)	Bushing, Sending Unit	1
	48	78005–2	(003370–003933)	Sending Unit, Water Temperature	1
	49	75486A	(003370–003933)	Bracket, Oil Cooler Mounting	1
	50	75498A	(003370–003933)	Strip, Oil Cooler Mounting, R.H.	1
	51	40678–1	(003862–003933)	Clamp	2

Fig. 21 – Engine Group, TM27

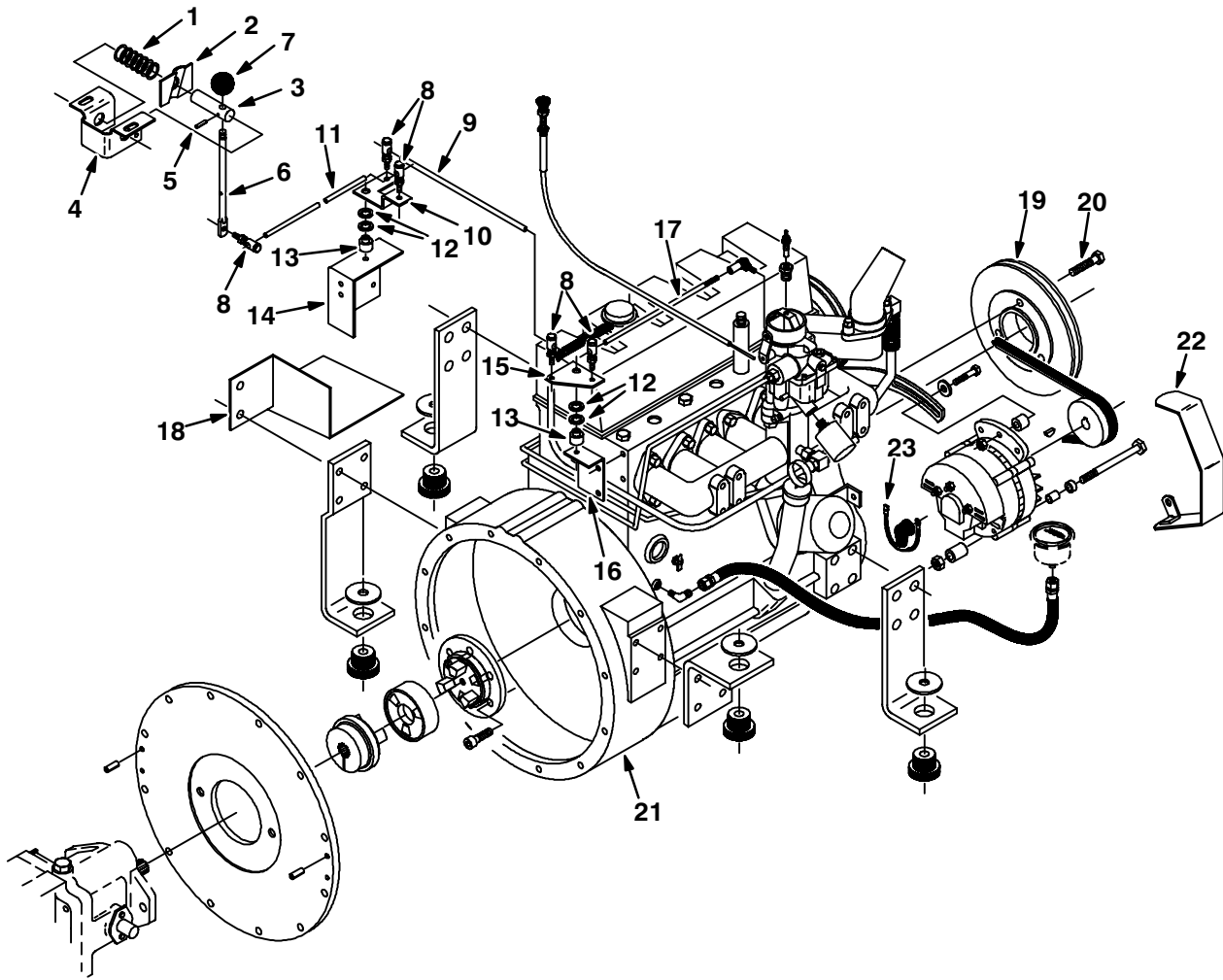
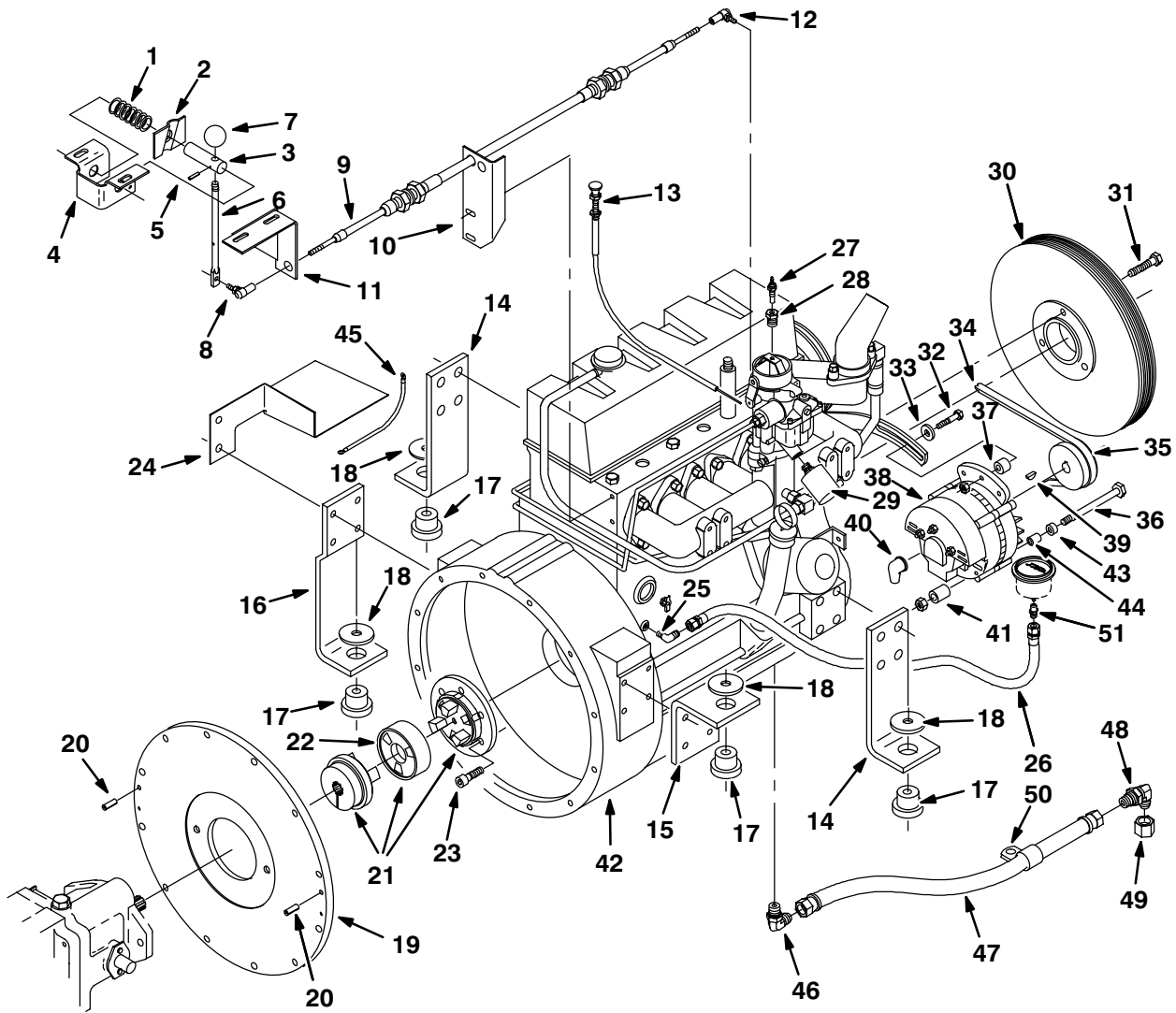


Fig. 21 – Engine Group, TM27

Ref.	Tennant Part No.	Machine Serial Number	Description	Qty.
▽	52925	(003934–004164)	Control Assembly, Throttle	1
▲ 1	51693	(003934–004164)	Spring, Compression	1
▲ 2	52814	(003934–004164)	Plate, Throttle	1
▲ 3	51692	(003934–004164)	Pin, Pivot	1
▲ 4	51689	(003934–004164)	Bracket, Throttle	1
▲ 5	20021	(003934–004164)	Pin, Roll	1
▲ 6	51690	(003934–004164)	Lever, Throttle	1
	7	26565	(003934–004164) Knob	1
	8	47744	(003934–004164) Ball Joint	5
	9	10473	(003934–004164) Rod, Upper	1
	10	76800	(003934–004164) Bellcrank, Upper	1
	11	76581	(003934–004164) Rod, Upper	1
	12	52508	(003934–004164) Washer, Wavy Spring	4
	13	52504	(003934–004164) Spacer, Throttle Control	2
	14	76579A	(003934–004164) Bracket, Throttle Linkage	1
	15	10470	(003934–004164) Bellcrank	1
	16	10472	(003934–004164) Bracket, Bellcrank	1
	17	10471	(003934–004164) Rod, Throttle	1
	18	16832	(003934– xxxxxx) Shield, Starter	1
	19	16495	(003934–004437) Sheave	1
	20	16930	(003934–004437) Screw, Hex, M10	3
	21	16860	(003934–004260) Engine, Gasoline, TM27, (Replaced by 31935) (See TM27 Engine Parts, Gasoline, LPG)	1
	22	08890	(003934– xxxxxx) Guard, Alternator	1
	23	08889	(003934– xxxxxx) Wire, Jumper	1

Fig. 22 – Engine Group, TM27



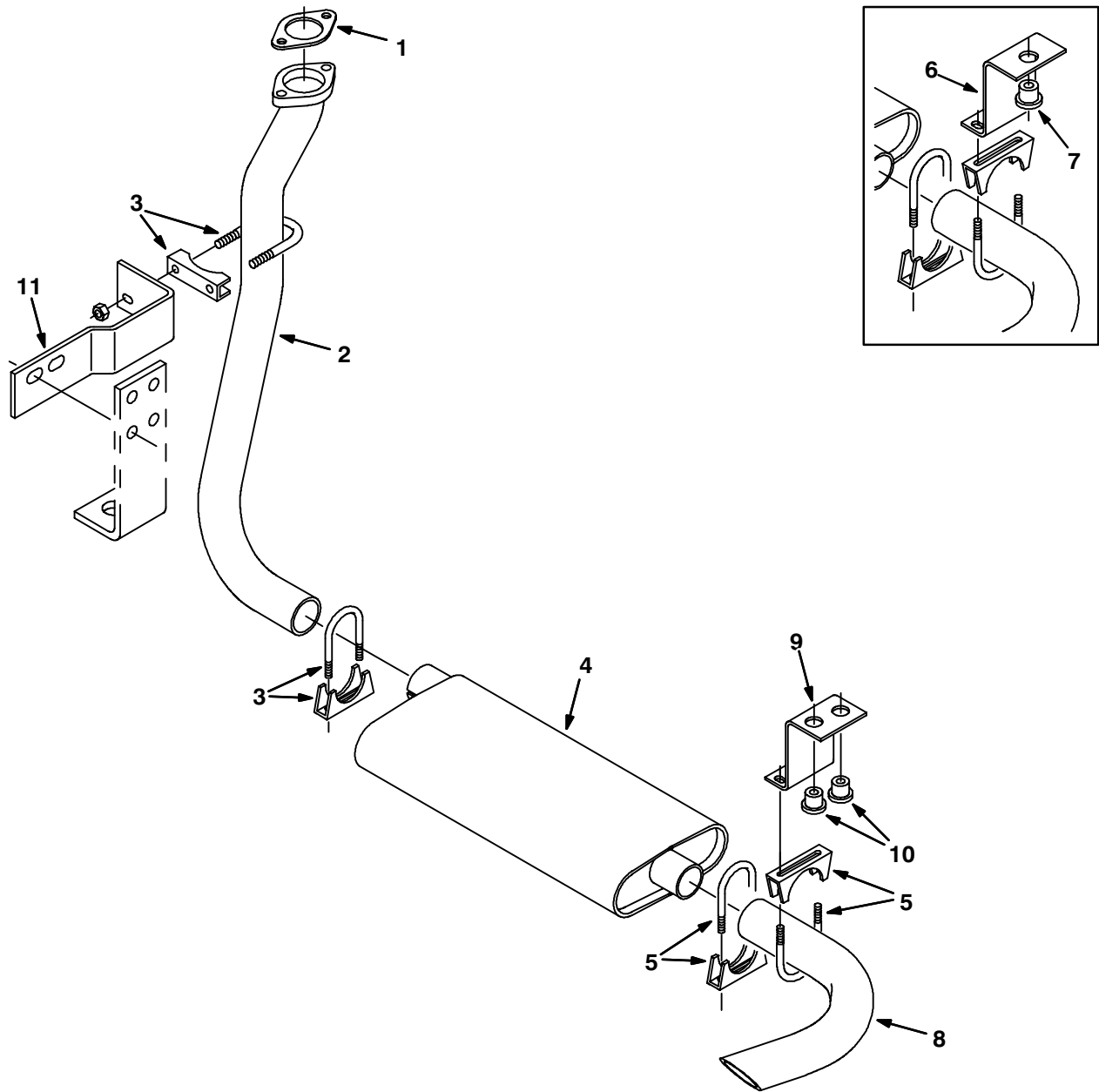
06190 – 550, 1550

Ref.	Tennant Part No.	Machine Serial Number	Description	Qty.
▽	52049	(004165–) Control Assembly, Throttle	1
▲	1 51693	(004165–) Spring, Compression	1
▲	2 51691	(004165–) Plate, Throttle	1
▲	3 51692	(004165–) Pin, Pivot	1
▲	4 51689	(004165–) Bracket, Throttle	1
▲	5 20021	(004165–) Pin, Roll	1
▲	6 51690	(004165–) Lever, Throttle	1
▲	7 26565	(004165–) Knob	1
	8 14601	(004165–) Ball Joint	1
	9 69494	(004165–) Cable Assembly, Push–Pull	1
	10 25218	(004165–) Angle, Cable	1
	11 25217	(004165–) Bracket, Throttle	1
	12 14601	(003934–) Ball Joint	1
	13 76560	(003934–) Cable, Choke	1
	14 16490	(003934–) Bracket, Engine Mounting	2
	15 76602	(003934–) Bracket, Mounting Engine	1

Fig. 22 – Engine Group, TM27

Ref.	Tennant Part No.	Machine Serial Number	Description	Qty.	
16	76544	(003934–)	Bracket, Mounting Engine	1	
17	51176	(003934–)	Dampner, Engine	4	
18	51564	(003934–)	Washer	4	
19	76290	(003934–)	Plate, Pump Mounting	1	
20	23999–8	(003934–)	Pin, Roll	2	
21	78068	(003934–)	Coupling Assembly, Drive	1	
22	76291	(003934–)	Insert, Drive	1	
23	41358	(003934–)	Screw, Socket, M10	6	
24	25180	(xxxxxx–)	Shield, Starter	1	
25	06507	(003934–)	Fitting, Elbow	1	
26	32552	(003934–)	Hose	1	
27	78005–2	(003934–)	Sending Unit, Temperature	1	
28	78170	(003934–)	Fitting, Straight	1	
29	34805	(003934–)	Solenoid, Anti–Runon	1	
30	25650	(004438–)	Sheave	1	
31	39284	(004438–)	Screw, Hex, M10	3	
32	41342	(003934–)	Screw, Hex, M8	1	
33	41186	(003934–)	Washer, Belleville	1	
34	34194	(003934–)	V–Belt	1	
35	34833	(003934–)	Pulley, Alternator	1	
36	34877	(003934–)	Screw, Hex, M10	1	
37	08892	(003934–)	Sleeve	1	
▽	38	03233	(003934–)	Alternator	1
▲		61515	(003934–)	Diode and Rectifier Assembly	1
▲		61516	(003944–)	Brush Assembly	2
▲		01844	(003934–)	Bearing, Ball	1
▲		61517	(003934–)	Regulator, Voltage	1
▲	39	00500–5	(003934–)	Key, Woodruff	1
	40	34065	(003934–)	Boot, Electric	1
	41	08891	(003934–)	Sleeve	1
	42	31935	(004261–004878)	Engine, Gasoline, TM27 (Replaced by 61696) (See TM27 Engine Parts, Gasoline, LPG)	1
	42	61696	(004879–005070)	Engine, Gasoline, TM27 (Replaced by 65947) (See TM27 Engine Parts, Gasoline, LPG)	1
	42	65947	(005071–)	Engine, Gasoline, TM27 (See TM27 Engine Parts, Gasoline, LPG)	1
	43	36417	(003934–)	Sleeve	1
	44	57311	(003934–)	Bushing	1
	45	29832–7	(003934–)	Cable, Grounding	1
	46	49934	(004879–)	Fitting, Elbow	1
	47	76762	(004879–)	Hose	1
	48	57075	(004879–)	Fitting, Elbow	1
	49	40625	(004879–)	Fitting, Cap	1
	50	82829	(004879–)	Clamp, Hose Support	1
	51	11979	(005497–)	Fitting, Straight, Brass	1

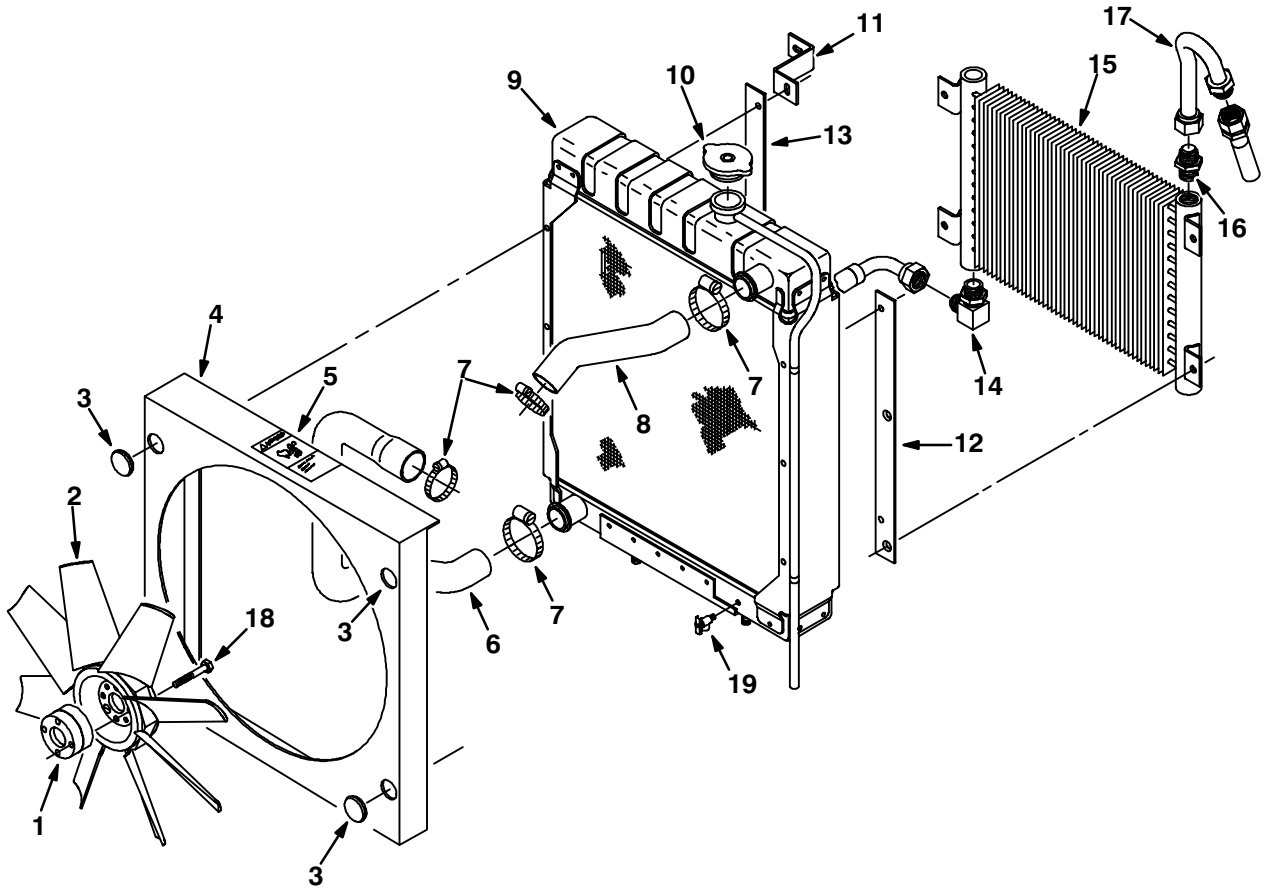
Fig. 23 – Muffler Group



09881 – 550, NA

Ref.	Tennant Part No.	Machine Serial Number	Description	Qty.
1	52781	(003370-003933)	Gasket, Tail Pipe	1
1	34908	(003934-)	Gasket, Tail Pipe	1
2	76830	(003370-003933)	Tube, Exhaust	1
2	16496	(003934-)	Tube, Exhaust	1
3	05880	(003370-)	Clamp, Muffler	2
4	21726	(003370-)	Muffler	1
5	24012-1	(003370-)	Clamp, Muffler	2
6	30173	(003370-004224)	Bracket Replacement Kit, Mounting	1
7	54274	(003370-004224)	Isolator, Vibration	1
8	76831	(003370-)	Pipe, Tail	1
9	12959	(004225-)	Bracket, Exhaust Mounting	1
10	54274	(004225-)	Isolator, Vibration	2
11	49024	(003370-)	Bracket, Exhaust Support	1

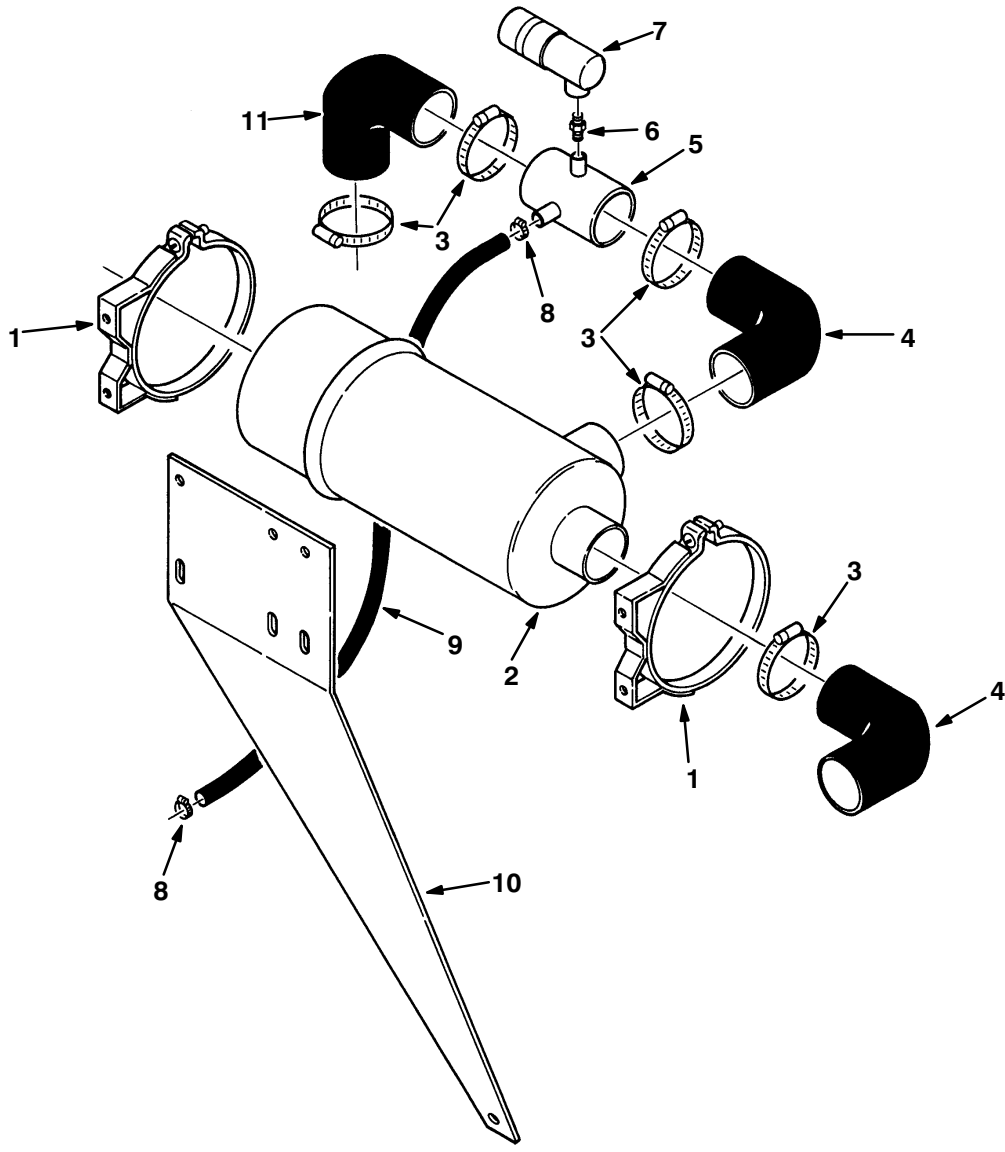
Fig. 24 – Radiator Group



00762 – 550, NA

Ref.	Tennant Part No.	Machine Serial Number	Description	Qty.	
1	52785-1	(003370-004437)	Spacer, Fan	1	
1	25653	(004438-)	Spacer, Fan	1	
2	375585	(003370-)	Fan	1	
3	50967	(003370-)	Plugbutton	4	
4	50817	(003370-)	Shroud, Fan	1	
5	68962	(003370-)	Label, Engine Fan	1	
6	76841	(003370-003933)	Hose, Radiator	1	
6	16501	(003934-004437)	Hose, Radiator	1	
6	25179	(004438-)	Hose, Radiator	1	
7	11531	(003370-)	Clamp, Worm Drive	4	
8	10323	(003370-003933)	Hose, Radiator	1	
8	16820	(003934-)	Hose, Radiator	1	
▽	9	61611	(003370-)	Radiator	1
▲	10	51321-3	(003370-)	Cap, Radiator	1
11	75486A	(003934-)	Bracket, Radiator	1	
12	76596A-1	(003370-)	Strip, Mounting	1	
13	76596A	(003370-)	Strip, Mounting	1	
14	46481	(003370-)	Fitting, Elbow	1	
15	31592	(003370-)	Cooler, Hydraulic	1	
16	42260	(003370-)	Fitting, Straight	1	
17	78144B	(003370-)	Tube Assembly, Hydraulic	1	
18	39279	(003934-)	Screw, Hex, M8	4	
19	51305	(003934-)	Cock, Drain	1	

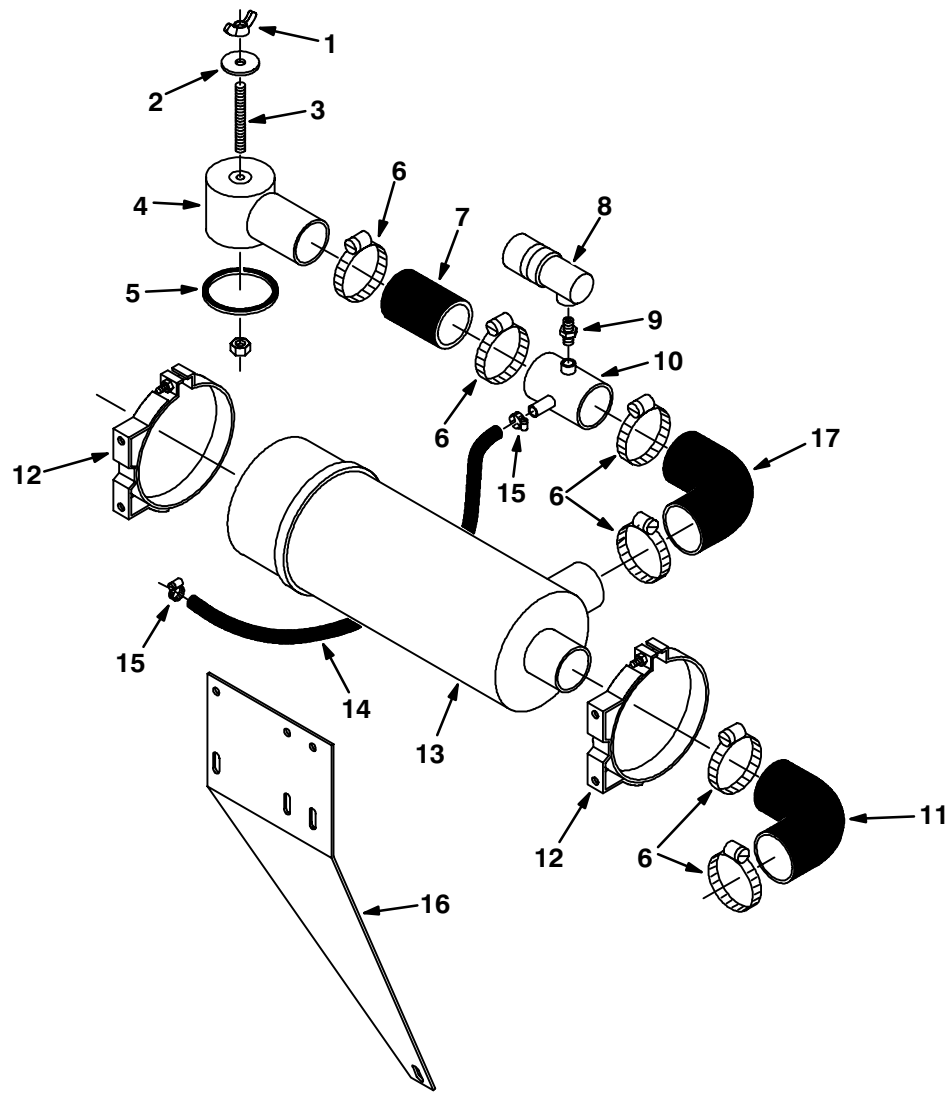
Fig. 25 – Air Cleaner Group



06183-550

Ref.	Tennant Part No.	Machine Serial Number	Description	Qty.
1	52450	(003370-003933)	Clamp, Mounting	2
▽ 2	76827	(003370-003933)	Air Cleaner	1
▲ 58120	(003370-003933)	Element, Air Filter	1	
3	22297	(003370-003933)	Clamp, Worm Drive	6
4	76825	(003370-003933)	Elbow, Carburetor	2
5	76833	(003370-003933)	Tube, Air Cleaner	1
6	51560-5	(003370-003933)	Adapter, Filter, 1/8NPT	1
7	51658-5	(003370-003933)	Indicator, Filter Service	1
8	54333	(003370-003933)	Clamp, Worm Drive	2
9	47826	(003370-003933)	Hose, Rubber	1
10	76332	(003370-003933)	Brace, Rear Shroud	1
11	52580	(003370-003933)	Elbow, Carburetor	1

Fig. 26 – Air Cleaner Group



00107 – 550, 1550

Ref.	Tennant Part No.	Machine Serial Number	Description	Qty.	
1	26509	(003934–)	Nut, Wing	1	
2	24924	(003934–)	Washer, Nylon	1	
3	34996	(003934–)	Stud	1	
4	34997	(003934–)	Elbow, Carburetor	1	
5	16738	(003934–)	Gasket, Carburetor Air Horn	1	
6	22297	(003934–)	Clamp, Worm Drive	6	
7	15543	(003934–)	Coupling, Air Cleaner Tube	1	
8	51658–5	(003934–)	Indicator, Filter Service	1	
9	51560–5	(003934–)	Adapter, Filter, 1/8NPT	1	
10	09725	(003934–)	Tube, Air Cleaner	1	
11	76825	(003934–)	Elbow, Carburetor	1	
12	51560–3	(003934–)	Clamp, Mounting	2	
▽	13	76827	(003934–)	Air Cleaner	1
▲	58120	(003934–)	Element, Air Filter	1	
14	47826	(003934–)	Hose, Rubber	1	
15	54333	(003934–)	Clamp, Worm Drive	2	
16	76332	(003934–)	Brace, Rear Shroud	1	
17	10509	(003934–)	Elbow, Air Cleaner	1	

Fig. 27 – Fuel Tank Group

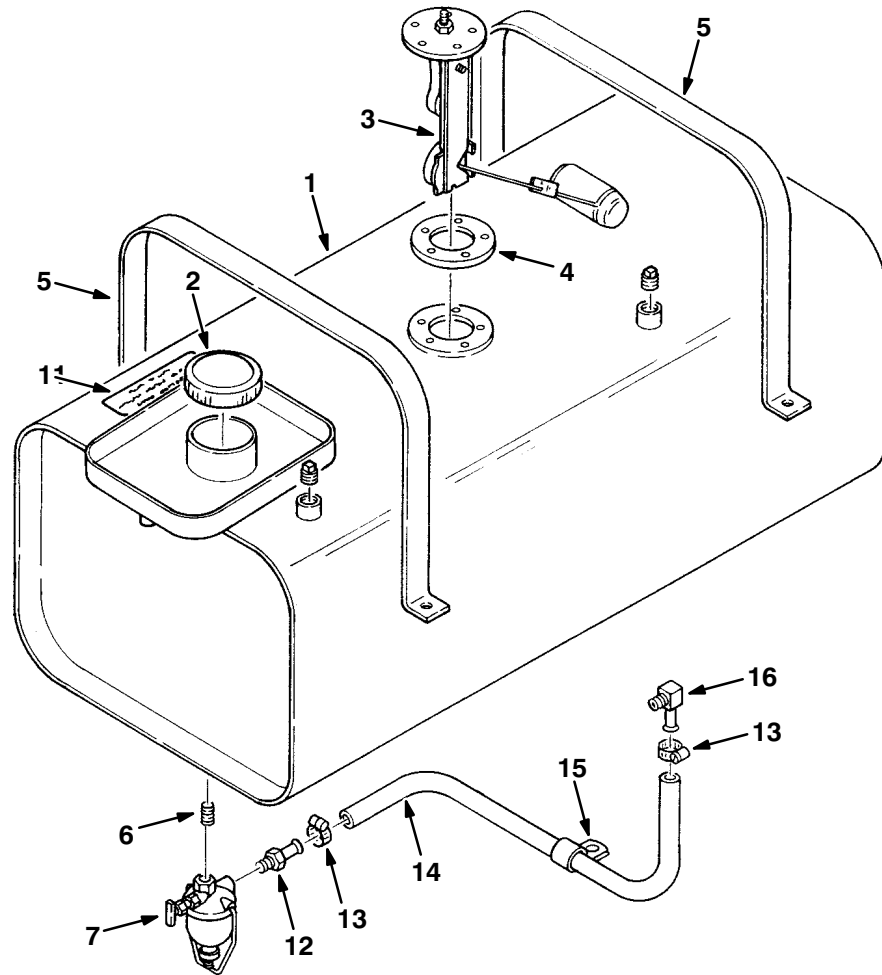
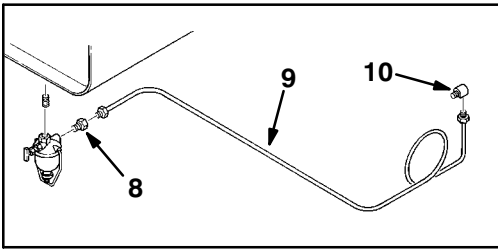
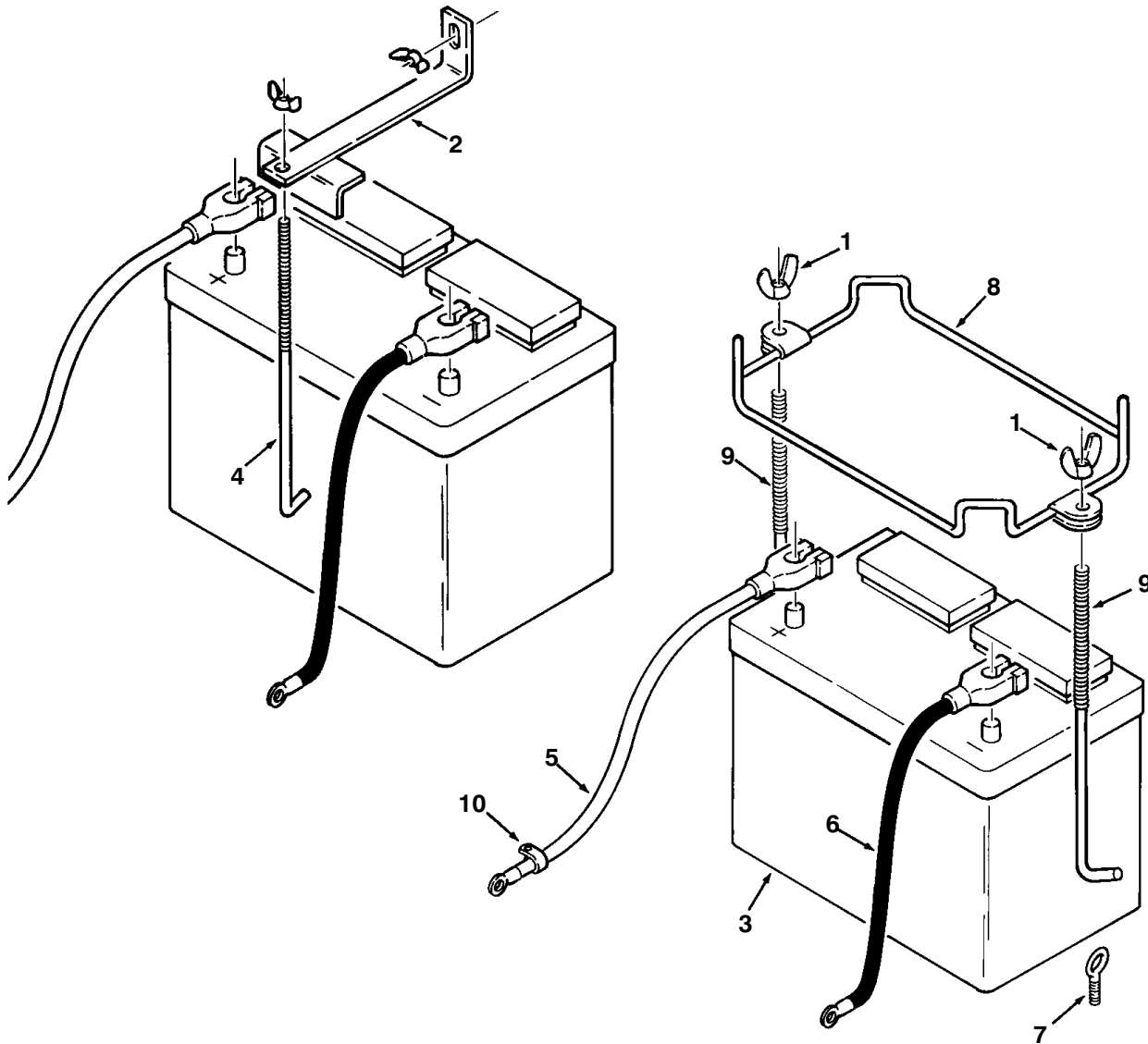


Fig. 27 – Fuel Tank Group

Ref.	Tenant Part No.	Machine Serial Number	Description	Qty.
	1	16560	(003370–003618) Tank, Fuel	1
▽	1	03977	(003619–) Tank, Fuel	1
▲	2	48267	(003370–) Cap, Fuel Tank	1
	3	07875	(003370–) Sending Unit, Fuel Tank	1
	4	14131	(003370–) Gasket	1
	5	16559	(003370–003618) Clamp, Fuel Tank	2
	5	04020	(003619–) Clamp, Fuel Tank	2
	6	47566	(003370–) Connector	1
	7	04601	(003370–) Strainer, Fuel	1
	8	40585	(003370–004773) Connector	1
	9	61279	(003370–004773) Fuel Line Replacement Kit	1
	10	15555–1	(003370–004773) Elbow	1
	11	19048	(003370–) Label, Gasoline Only	1
	12	61686	(004774–) Fitting, Straight	1
	13	54333	(004774–) Clamp, Worm Drive	2
	14	61683	(004774–) Hose, Fuel Line	1
	15	82829	(004774–) Clamp, Cable	1
	16	61687	(004774–) Fitting, Elbow	1

Fig. 28 – Battery Group



02376 – 550

Ref.	Tennant Part No.	Machine Serial Number	Description	Qty.
1	39272	(003370–)	Nut, Wing	2
2	16936	(003370– xxxxxx)	Bracket, Battery	1
3	10143	(003370–)	Battery, 540 CCA	1
4	13015–1	(003370– xxxxxx)	Bolt, Hold Down	1
5	76313	(003370–004437)	Cable, Positive Battery	1
5	48899	(004438–)	Cable, Positive Battery	1
6	29831–6	(003370–)	Cable, Negative Battery	1
7	11893	(xxxxxx–)	Eyebolt	2
8	13016	(xxxxxx–)	Bracket, Battery, L	1
9	13015	(xxxxxx–)	Bolt, Hold Down	2
10	76736	(003370–)	Clamp, Cable	1

Fig. 29 – Hydraulic Schematic (For machines below serial number 004438)

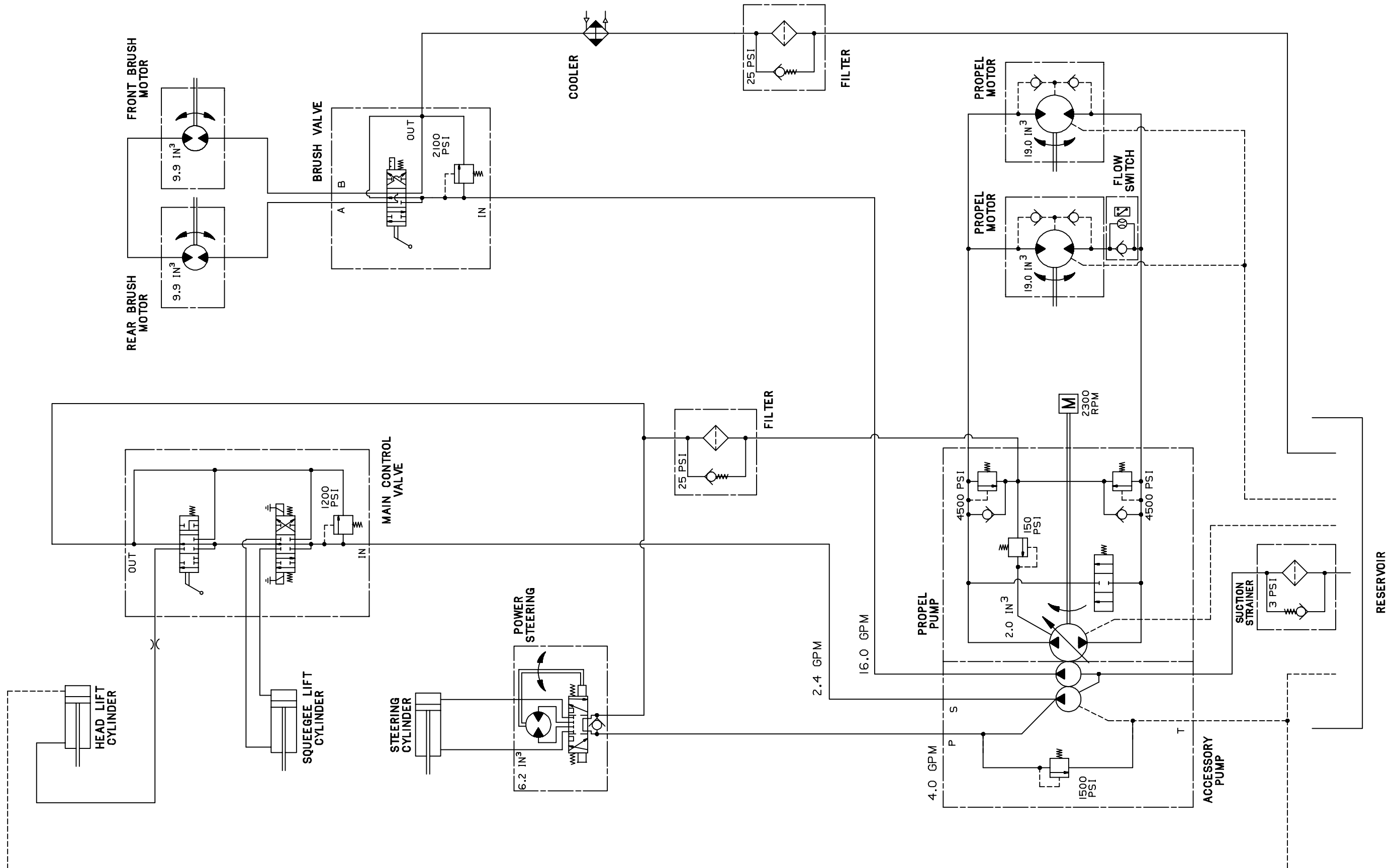
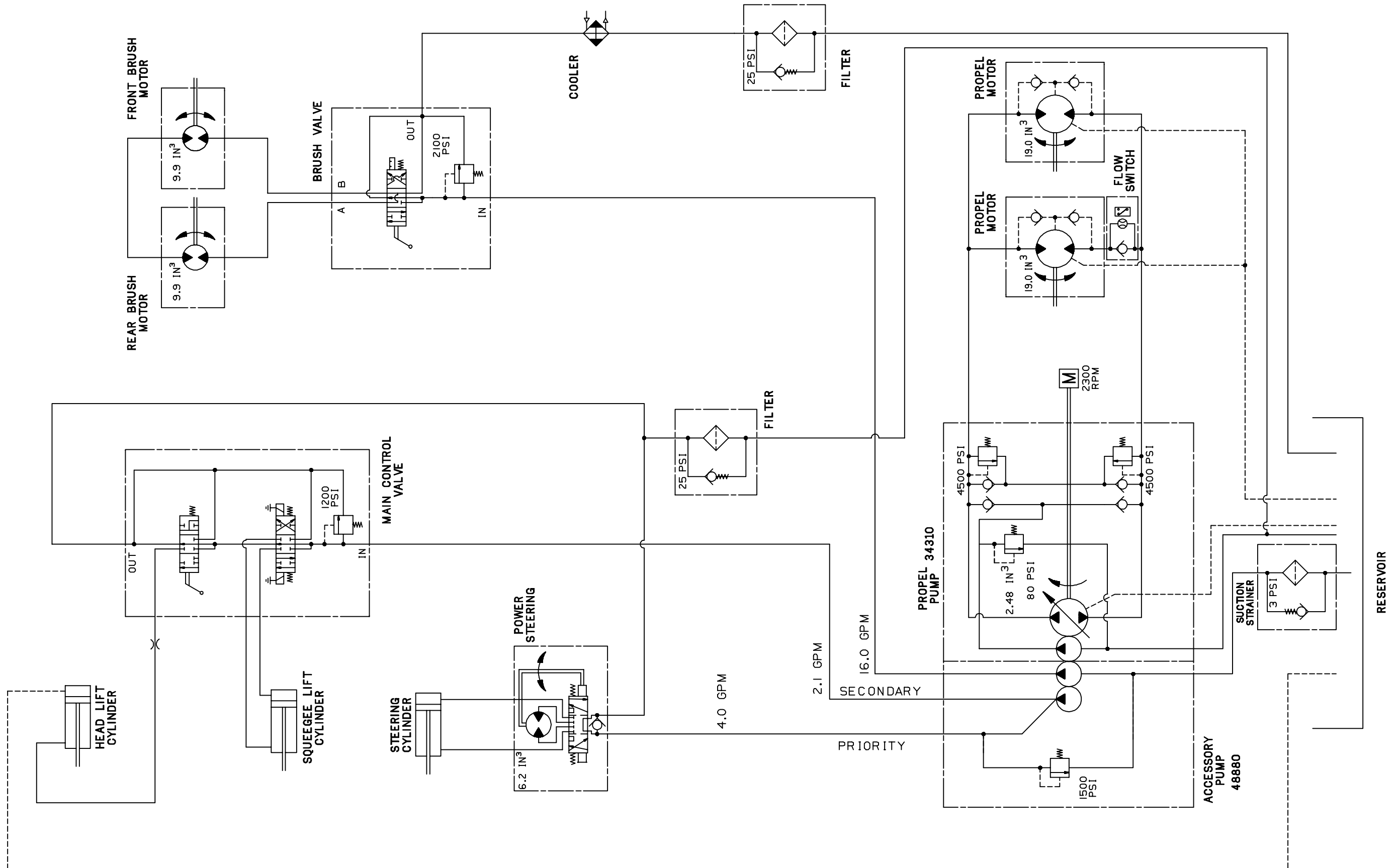


Fig. 30 – Hydraulic Schematic (For machines serial number 004438 thru 005268)



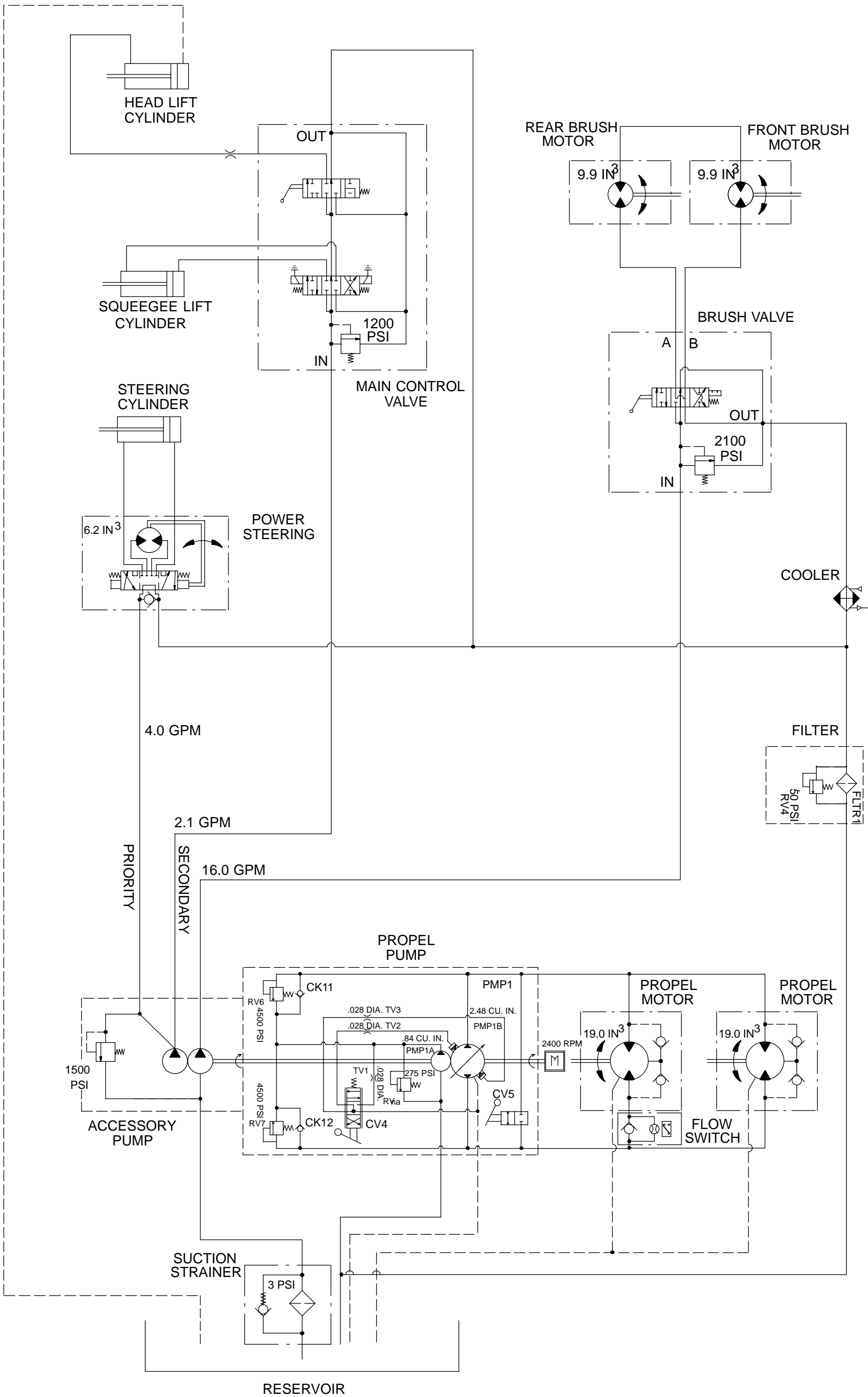


Fig. 31 – Hydraulic Schematic (For machines serial number 005269 and above)

Fig. 32 – Hydraulic Hoses Group

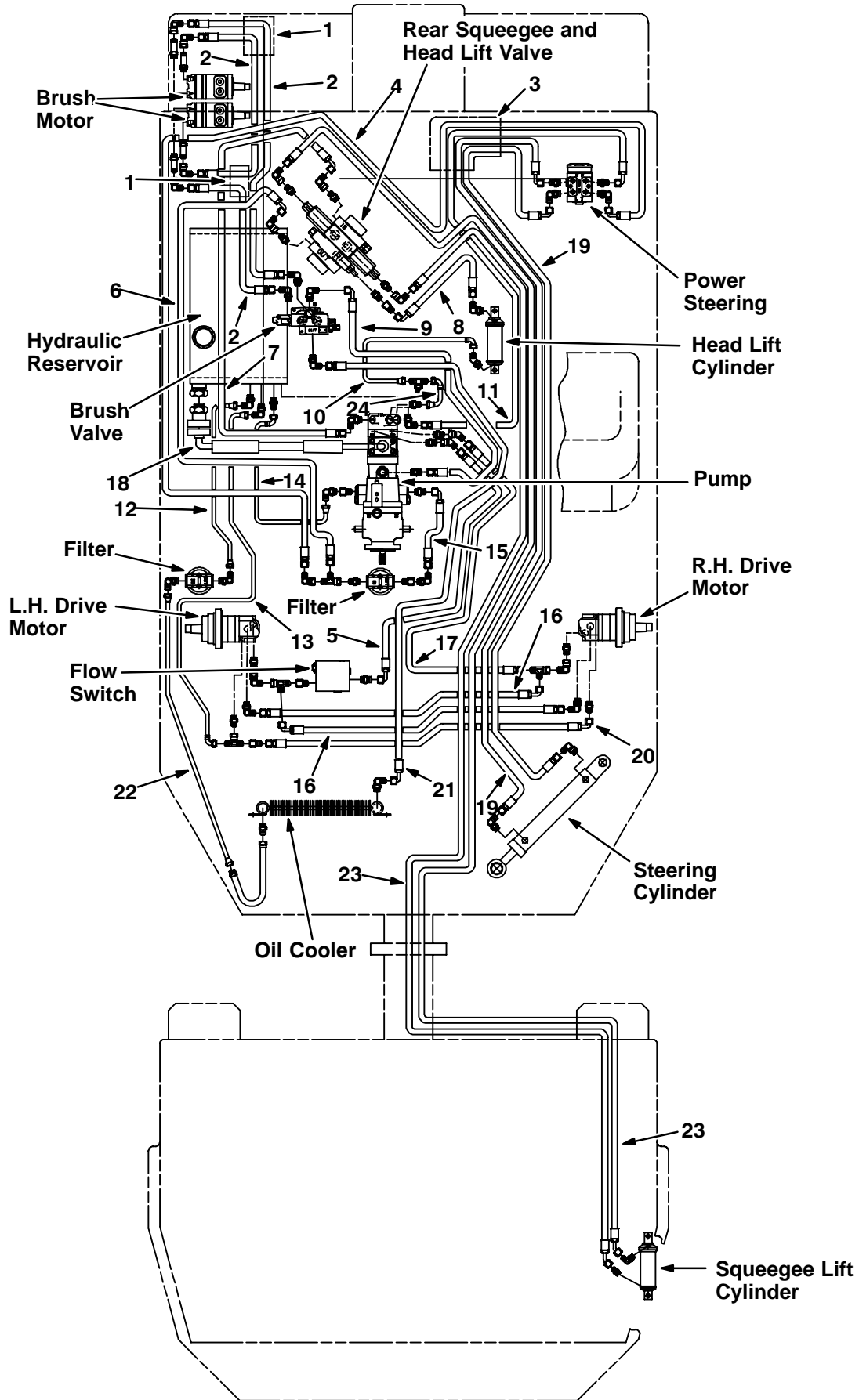


Fig. 32 – Hydraulic Hoses Group

Ref.	Tennant Part No.	Machine Serial Number	Description	Qty.
1	82832	(003370–004437)	Sleeve, Hose	2
2	31606	(003370–004437)	Hose, Hydraulic	3
3	31672	(003370–004437)	Sleeve, Hose	1
4	02469	(003370–004437)	Hose, Hydraulic	1
5	02468	(003370–004437)	Hose, Hydraulic	1
6	31597	(003370–004437)	Hose, Hydraulic	1
7	31598	(003370–004437)	Hose, Hydraulic	1
8	57964	(003370–004437)	Hose, Hydraulic	1
9	31612	(003370–004437)	Hose, Hydraulic	1
10	31600	(003370–004437)	Hose, Hydraulic	1
11	31596	(003370–004437)	Hose, Hydraulic	1
12	82835	(003370–004437)	Hose, Hydraulic	1
13	31603	(003370–004437)	Hose, Hydraulic	1
14	57971	(003370–004437)	Hose, Hydraulic	1
15	34355	(003370–004437)	Hose, Hydraulic	1
16	31608	(003370–004437)	Hose, Hydraulic	2
17	51748	(003370–004437)	Hose, Hydraulic	1
18	31616	(003370–004437)	Hose, Hydraulic	1
19	31565	(003370–004437)	Hose, Hydraulic	2
20	31602	(003370–004437)	Hose, Hydraulic	1
21	31610	(003370–004437)	Hose, Hydraulic	1
22	31611	(003370–004437)	Hose, Hydraulic	1
23	31570	(003370–004437)	Hose, Hydraulic	2
24	31601	(003370–004437)	Hose, Hydraulic	1

Fig. 33 – Hydraulic Hoses Group

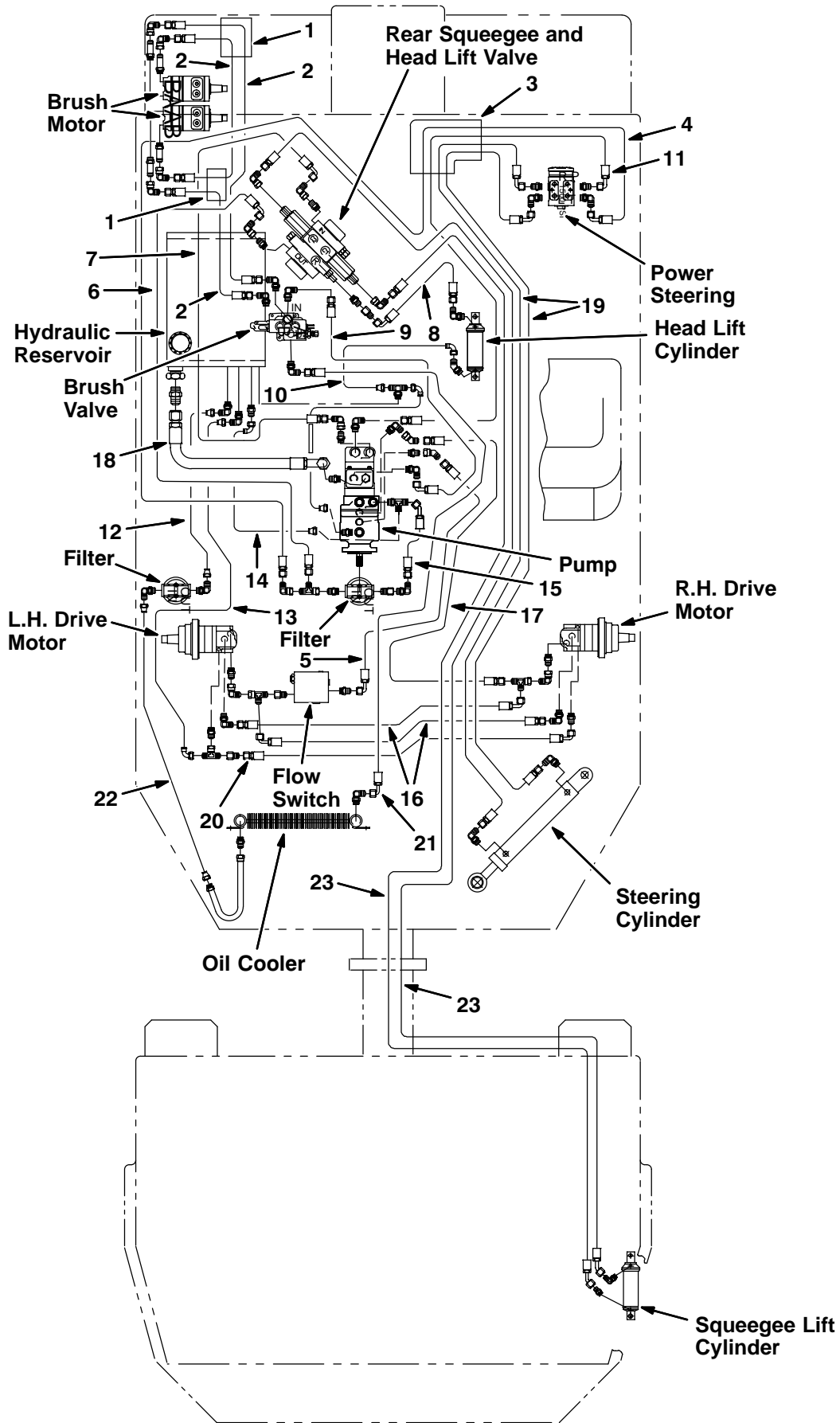


Fig. 33 – Hydraulic Hoses Group

Ref.	Tennant Part No.	Machine Serial Number	Description	Qty.
1	82832	(004438–005268)	Sleeve, Hose	2
2	31606	(004438–005268)	Hose, Hydraulic	3
3	31672	(004438–005268)	Sleeve, Hose	1
4	02469	(004438–005268)	Hose, Hydraulic	1
5	02468	(004438–005268)	Hose, Hydraulic	1
6	31597	(004438–005268)	Hose, Hydraulic	1
7	31598	(004438–005268)	Hose, Hydraulic	1
8	57964	(004438–005268)	Hose, Hydraulic	1
9	31612	(004438–005268)	Hose, Hydraulic	1
10	31600	(004438–005268)	Hose, Hydraulic	1
11	31597	(004438–005268)	Hose, Hydraulic	1
12	82835	(004438–005268)	Hose, Hydraulic	1
13	31603	(004438–005268)	Hose, Hydraulic	1
14	55705	(004438–005268)	Hose, Hydraulic	1
15	34422	(004438–005268)	Hose, Hydraulic	1
16	31608	(004438–005268)	Hose, Hydraulic	2
17	34387	(004438–005268)	Hose, Hydraulic	1
18	34351	(004438–005268)	Hose, Hydraulic	1
19	31565	(004438–005268)	Hose, Hydraulic	2
20	31602	(004438–005268)	Hose, Hydraulic	1
21	31610	(004438–005268)	Hose, Hydraulic	1
22	31611	(004438–005268)	Hose, Hydraulic	1
23	31570	(004438–005268)	Hose, Hydraulic	2
24	34420	(004438–005268)	Hose, Hydraulic	1

Fig. 34 – Hydraulic Hoses Group

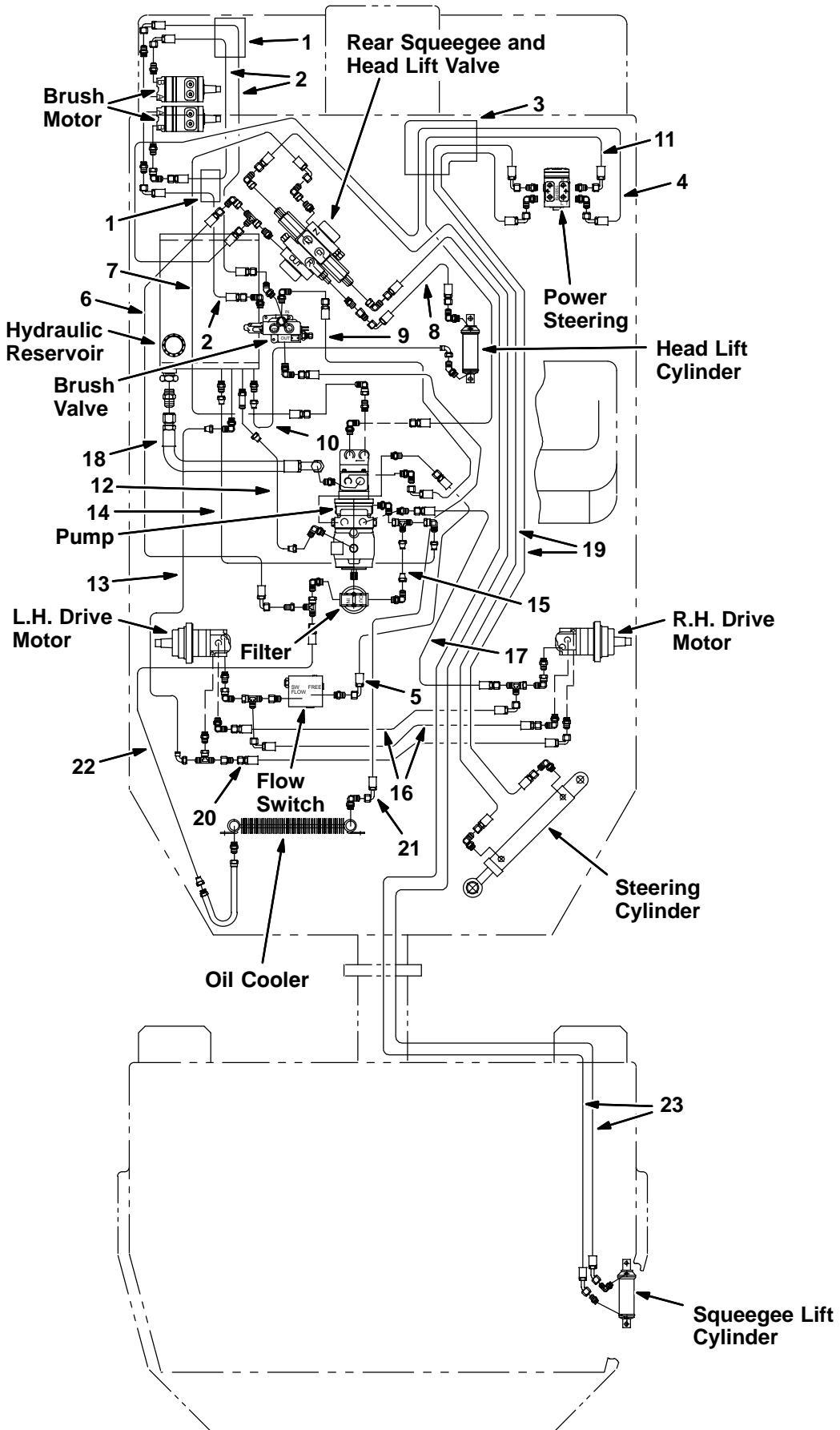
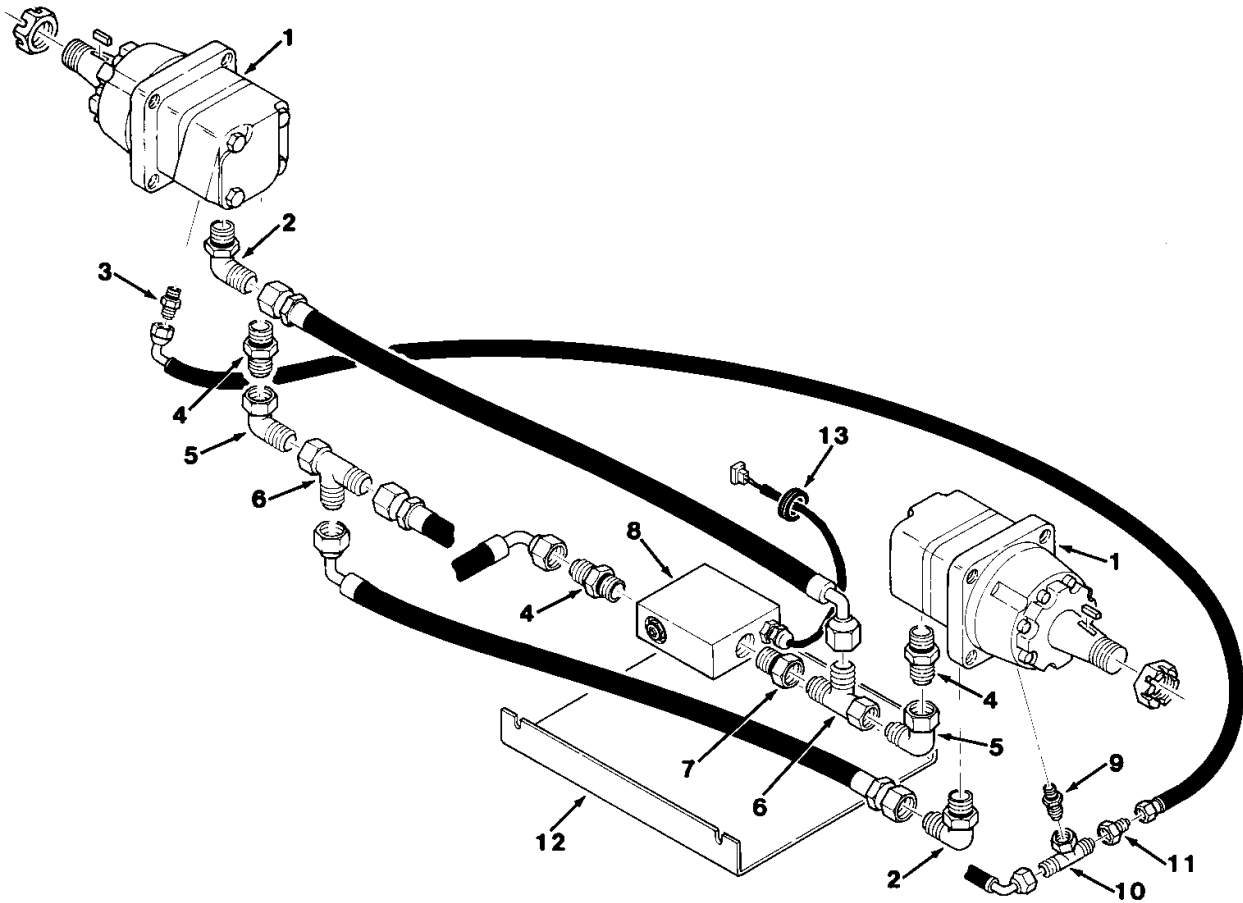


Fig. 34 – Hydraulic Hoses Group

Ref.	Tennant Part No.	Machine Serial Number	Description	Qty.
1	82832	(005269–)	Sleeve, Hose	2
2	79079	(005269–)	Hose, Hydraulic	3
3	31672	(005269–)	Sleeve, Hose	1
4	02683	(005269–)	Hose, Hydraulic	1
5	79106	(005269–)	Hose, Hydraulic	1
6	59560	(005269–)	Hose, Hydraulic	1
7	31598	(005269–)	Hose, Hydraulic	1
8	57964	(005269–)	Hose, Hydraulic	1
9	79104	(005269–)	Hose, Hydraulic	1
10	31600	(005269–)	Hose, Hydraulic	1
11	31597	(005269–)	Hose, Hydraulic	1
12	57568	(005269–005349)	Hose, Hydraulic	1
12	13113	(005350–)	Hose, Hydraulic	1
13	31603	(005269–)	Hose, Hydraulic	1
14	55775	(005269–)	Hose, Hydraulic	1
15	82835	(005269–)	Hose, Hydraulic	1
16	79105	(005269–)	Hose, Hydraulic	2
17	79107	(005269–)	Hose, Hydraulic	1
18	34351	(005269–)	Hose, Hydraulic	1
19	31565	(005269–)	Hose, Hydraulic	2
20	31602	(005269–)	Hose, Hydraulic	1
21	31610	(005269–)	Hose, Hydraulic	1
22	31611	(005269–)	Hose, Hydraulic	1
23	31570	(005269–)	Hose, Hydraulic	2

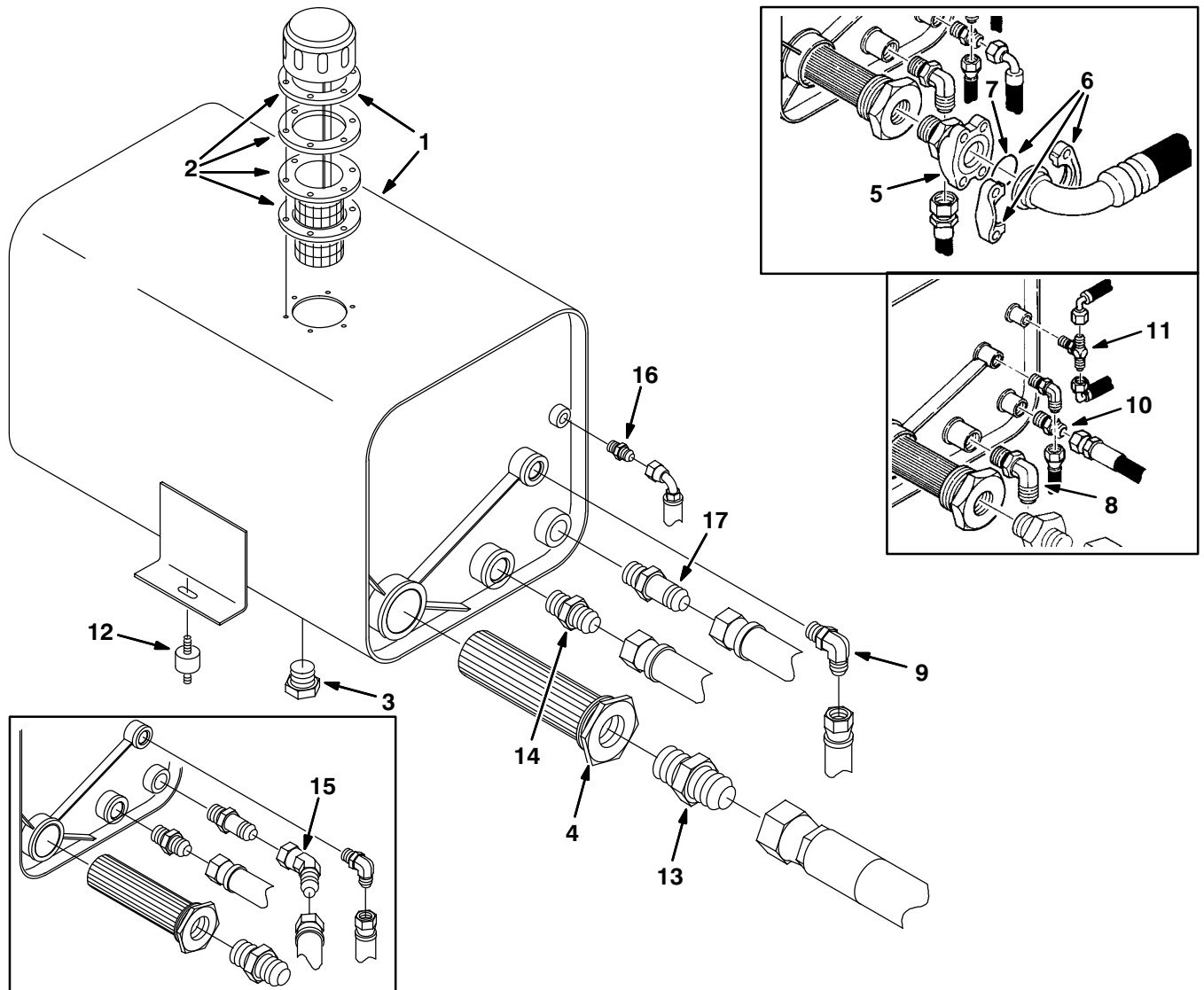
Fig. 35 – Hydraulic Propelling Motors Group



09875 – 550, 1550

Ref.	Tenant Part No.	Machine Serial Number	Description	Qty.
1	48663	(003370–005214)	Motor, Hydraulic (See Breakdowns) (Replaced by 378710)	2
1	74162	(005215–005724)	Motor, Hydraulic (See Breakdowns) (Replaced by 378710)	2
1	22604	(005725–)	Motor, Hydraulic (See Breakdowns)	2
2	46481	(003370–)	Fitting, Elbow	2
3	55586	(003370–)	Fitting, Straight	1
4	42260	(003370–)	Fitting, Straight	3
5	35033	(003370–)	Fitting, Elbow	2
6	40514	(003370–)	Fitting, Tee	2
7	67832	(003370–)	Fitting, Straight	1
8	31556	(003370–)	Switch, Flow (See Breakdowns)	1
9	50960	(003370–)	Fitting, Straight	1
10	35586	(003370–)	Fitting, Tee	1
11	47752	(003370–)	Fitting, Straight	1
12	02543	(003370–)	Guard, Flow Switch	1
13	10632–1	(003370–)	Grommet	1

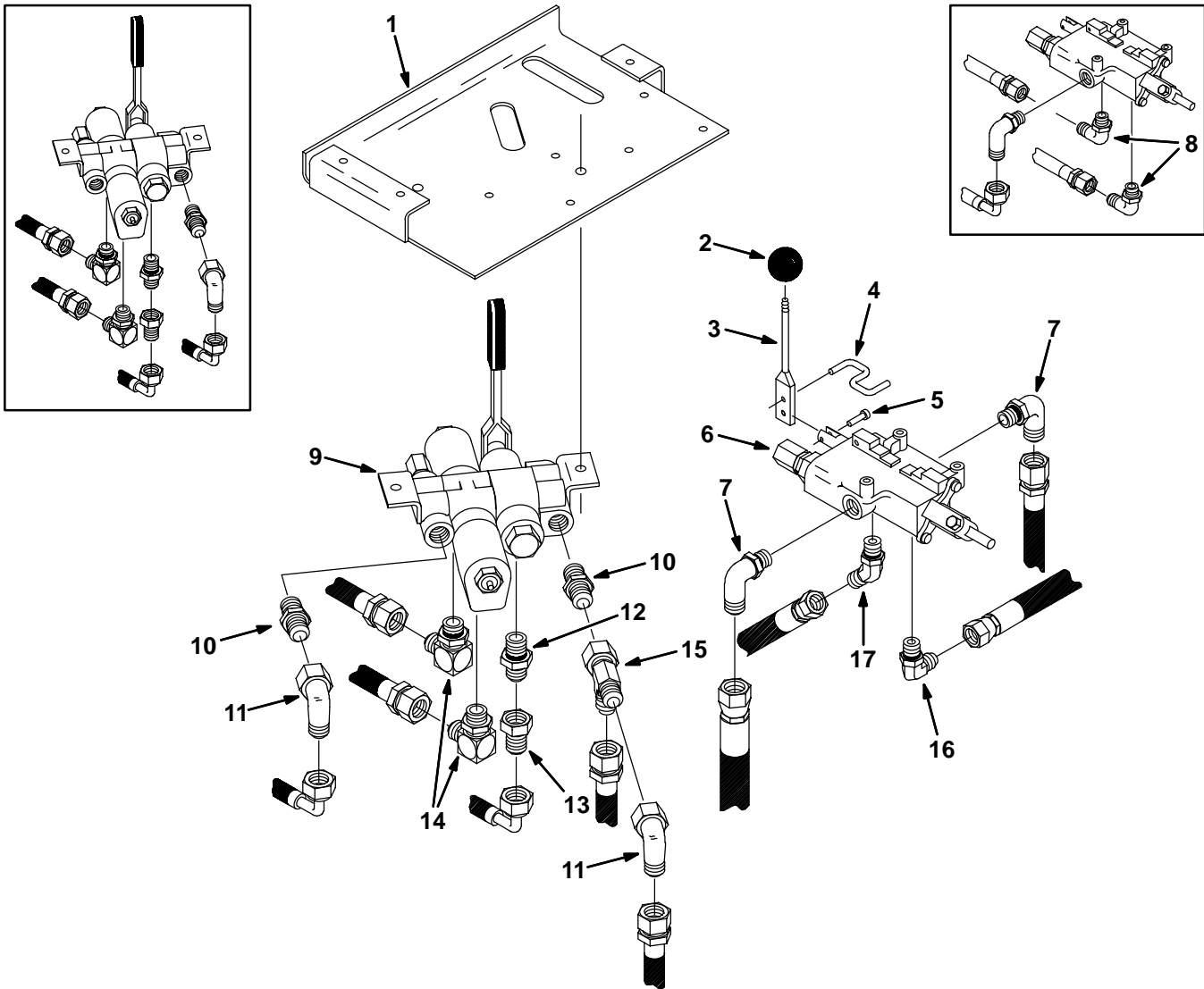
Fig. 36 – Hydraulic Reservoir Group



09876 – 550

Ref.	Tennant Part No.	Machine Serial Number	Description	Qty.
▽ 1	31557	(003370–)	Reservoir Assembly, Hydraulic	1
▲ 2	31559	(003370–)	Breather, Filler	1
▲ 3	40362	(003370–)	Fitting, Plug	1
4	31613	(003370–)	Strainer, Suction	1
5	31589	(003370–004437)	Fitting, Straight	1
▽ 6	31595	(003370–004437)	Flange, Split	1
▲ 7	42140	(003370–004437)	Seal, O–Ring	1
8	46481	(003370–005268)	Fitting, Elbow	1
9	56820	(003370–)	Fitting, Elbow	1
10	44869	(003370–005268)	Fitting, Straight	1
11	31599	(003370–005268)	Fitting, Tee	1
12	82661	(003370–)	Isolator, Vibration	4
13	58858	(004438–)	Fitting, Straight	1
14	42260	(005269–)	Fitting, Straight	1
15	07934	(005269–005349)	Fitting, Elbow, 45°	1
16	55586	(005269–)	Fitting, Straight	1
17	62390	(005269–)	Fitting, Straight	1

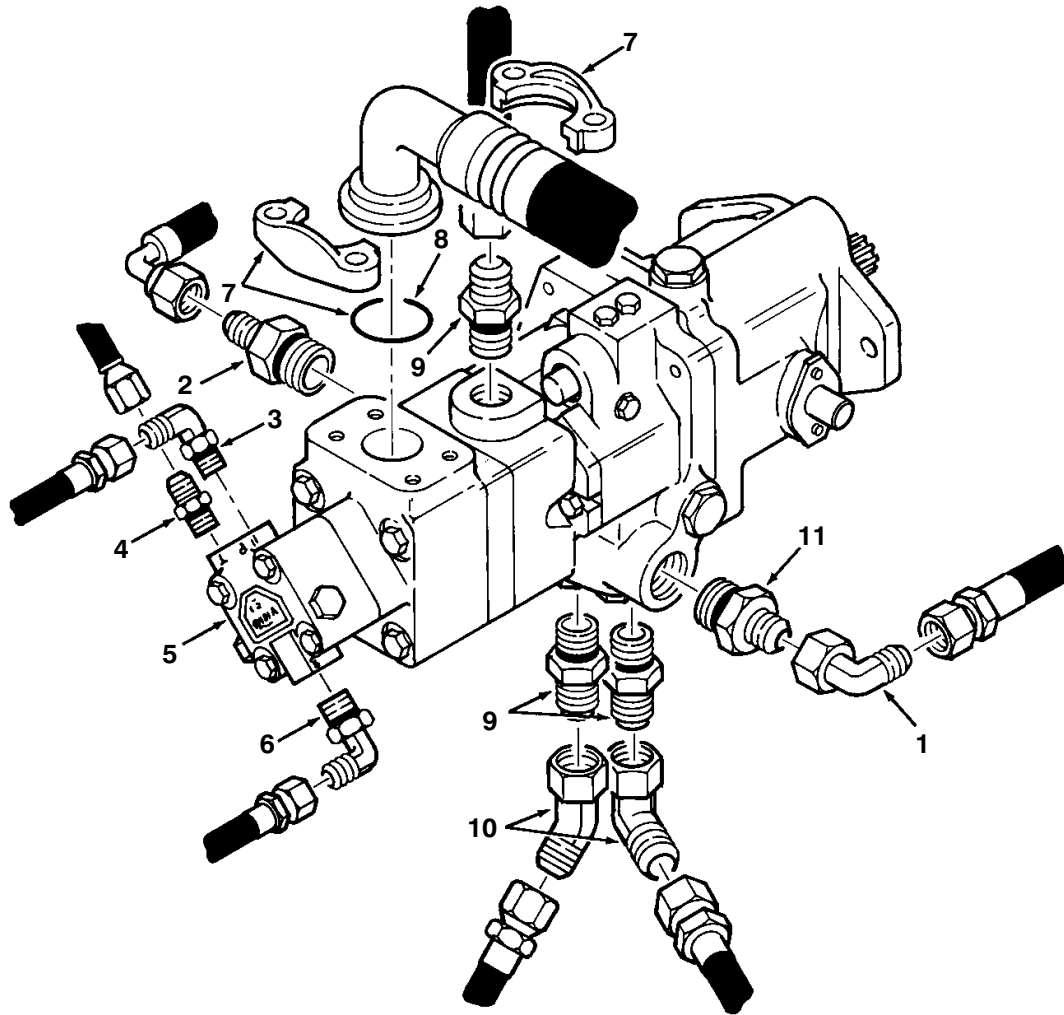
Fig. 37 – Hydraulic Control Valves Group



02371 – 550, 1550

Ref.	Tenant Part No.	Machine Serial Number	Description	Qty.
1	31632	(003370–)	Bracket, Control Valves	1
2	26565	(003370–)	Knob	1
3	62234	(003370–)	Rod and Link	1
4	32759	(003370–)	Link, Hook	1
5	14605	(003370–)	Pin, Clevis	1
6	32761	(003370–)	Valve, Hydraulic (See Breakdowns)	1
7	47498	(003370–)	Fitting, Elbow	2
8	44868	(003370–005268)	Fitting, Elbow	2
9	31575	(003370–)	Valve, Hydraulic (See Breakdowns)	1
10	56690	(003370–)	Fitting, Straight	2
11	47504	(003370–)	Fitting, Elbow	2
12	55685	(003370–)	Fitting, Straight	1
13	16456	(003370–)	Fitting, Restrictor	1
14	47638	(003370–)	Fitting, Elbow	2
15	42215	(005269–)	Fitting, Tee	1
16	56827	(005269–)	Fitting, Elbow	1
17	77099	(005269–)	Fitting, Elbow, 45°	1

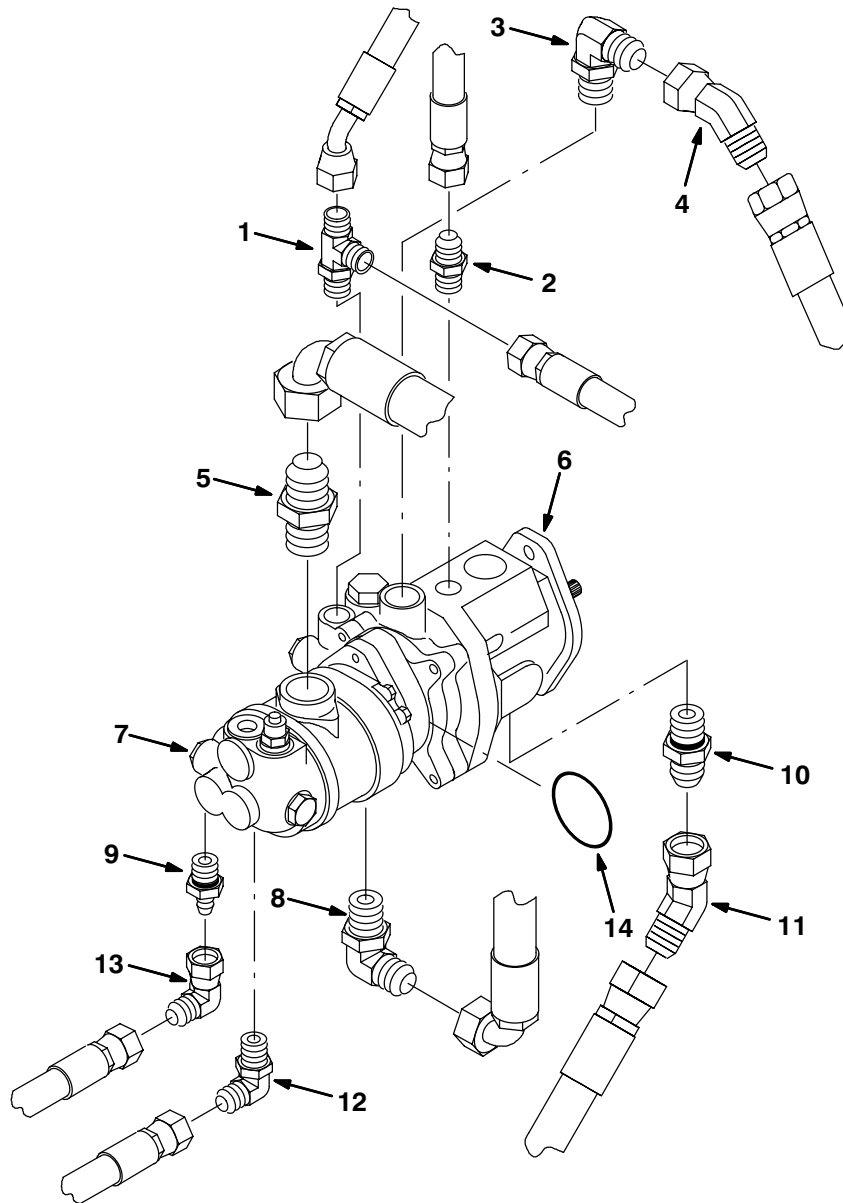
Fig. 38 – Hydraulic Pump Group



02389 – 550

Ref.	Tennant Part No.	Machine Serial Number	Description	Qty.
1	02555	(003370-004437)	Fitting, Elbow	1
2	02545	(003370-004437)	Fitting, Straight	1
3	56820	(003370-004437)	Fitting, Elbow	1
4	55685	(003370-004437)	Fitting, Straight	1
5	47915	(003370-004437)	Pump, Hydraulic (See Breakdowns)	1
6	47512	(003370-004437)	Fitting, Elbow	1
▽ 7	31595	(003370-004437)	Flange, Split	1
▲ 8	42140	(003370-004437)	Seal, O-Ring	1
9	42260	(003370-004437)	Fitting, Straight	3
10	07934	(003370-004437)	Fitting, Elbow, 45°	2
11	02554	(003370-004437)	Fitting, Straight	1

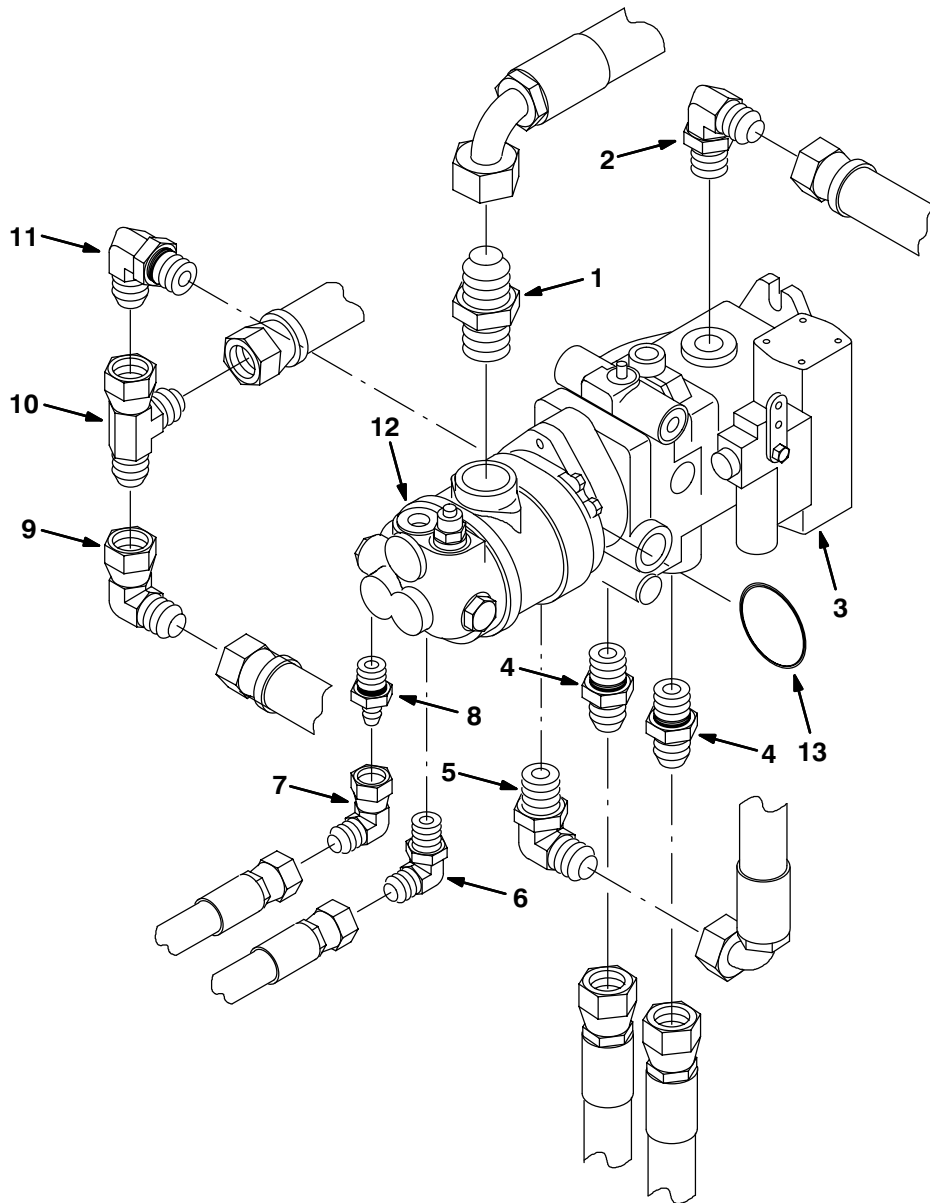
Fig. 39 – Hydraulic Pump Group



06019 – 550, 1550

Ref.	Tennant Part No.	Machine Serial Number	Description	Qty.
1	40755	(004438–005268)	Fitting, Tee	1
2	55685	(004438–005268)	Fitting, Straight	1
3	46481	(004438–005268)	Fitting, Elbow	1
4	07934	(004438–005268)	Fitting, Elbow, 45°	1
5	58858	(004438–005268)	Fitting, Straight	1
6	34310	(004438–005268)	Pump, Hydrualic (See Breakdowns)	1
7	48880	(004438–005268)	Pump, Hydrualic (See Breakdowns)	1
8	47498	(004438–005268)	Fitting, Elbow	1
9	47508	(004438–005268)	Fitting, Straight	1
10	42260	(004438–005268)	Fitting, Straight	1
11	07934	(004438–005268)	Fitting, Elbow, 45°	1
12	47512	(004438–005268)	Fitting, Elbow	1
13	47504	(004438–005268)	Fitting, Elbow	1
14	65145–1	(004438–005268)	Seal, O–Ring	1

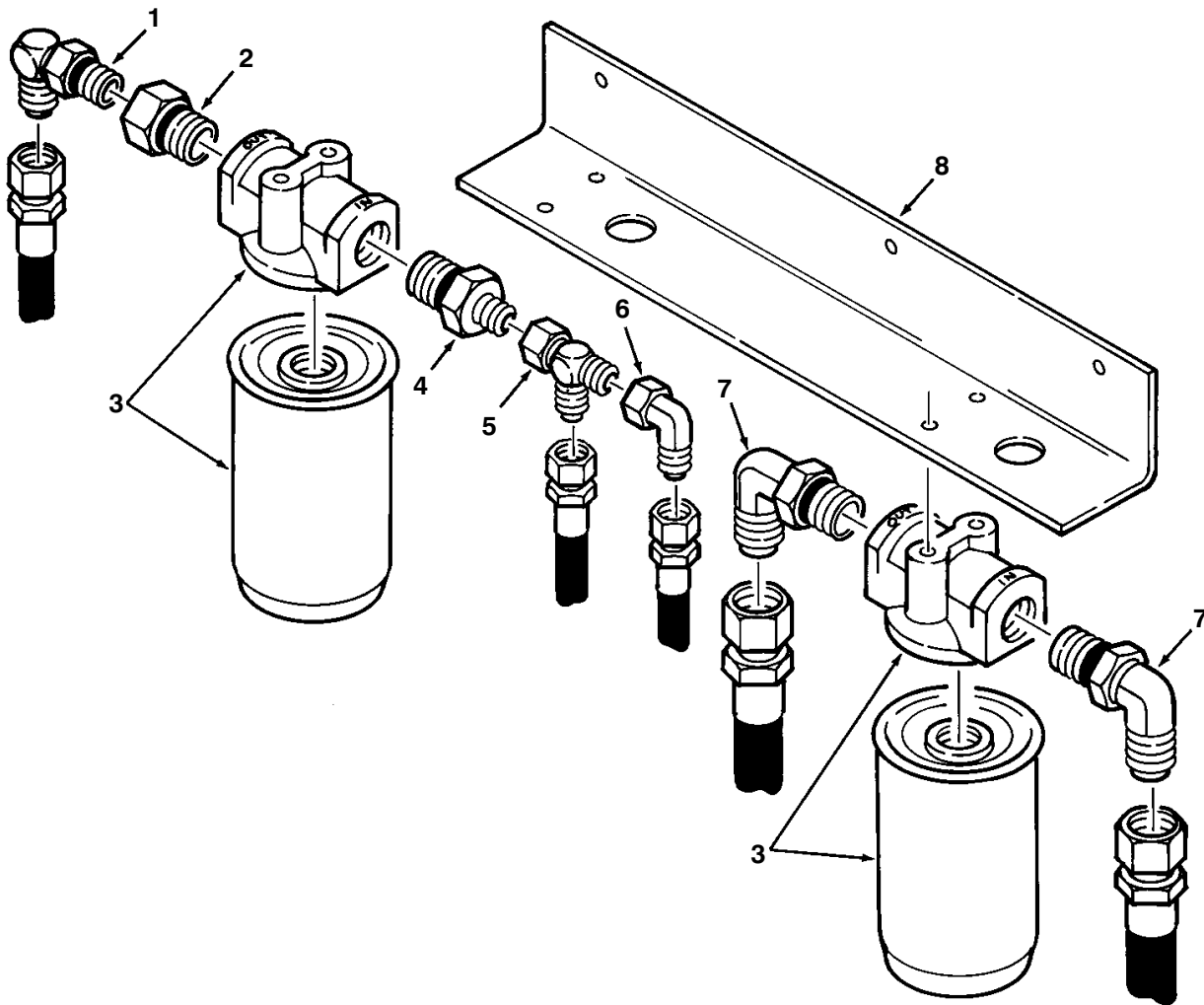
Fig. 40 – Hydraulic Pump Group



10144 – 550, 1550

Ref.	Tenant Part No.	Machine Serial Number	Description	Qty.
1	58858	(005269–)	Fitting, Straight	1
2	46481	(005269–)	Fitting, Elbow	1
3	74163	(005269–)	Pump, Hydrualic (See Breakdowns)	1
4	67310	(005269–)	Fitting, Straight	2
5	47498	(005269–)	Fitting, Elbow	1
6	47512	(005269–)	Fitting, Elbow	1
7	47504	(005269–)	Fitting, Elbow	1
8	47508	(005269–)	Fitting, Elbow	1
9	35033	(005269–)	Fitting, Elbow	1
10	40514	(005269–)	Fitting, Tee	1
11	52911	(005269–)	Fitting, Elbow	1
12	79078	(005269–)	Pump, Hydrualic	1
13	65145–1	(005269–)	Seal, O–Ring	1

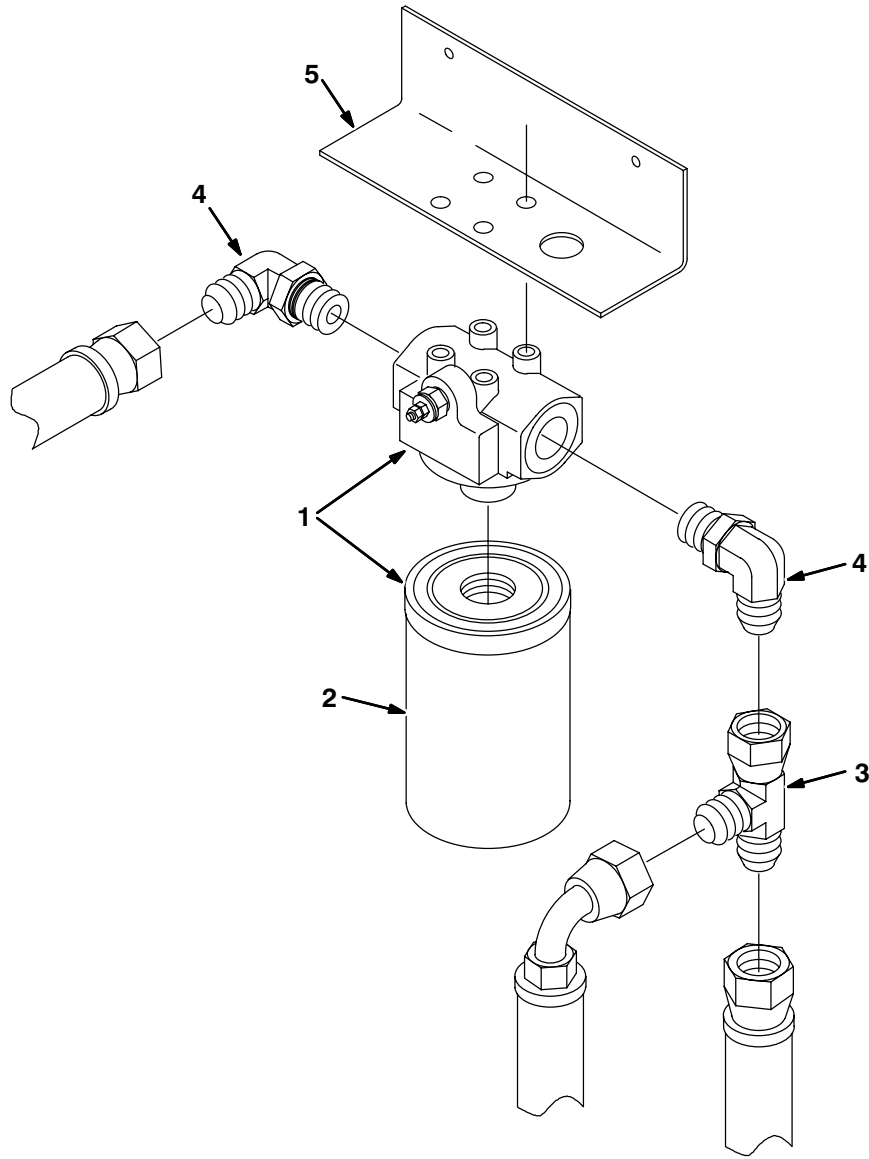
Fig. 41 – Hydraulic Filters Group



02382 – 550, 1550

Ref.	Tennant Part No.	Machine Serial Number	Description	Qty.
1	44868	(003370–005268)	Fitting, Elbow	1
2	47519	(003370–005268)	Fitting, Straight	1
▽ 3	55619	(003370–005268)	Filter Assembly, Hydraulic	2
▲	55740	(003370–005268)	Element, Filter	1
4	31572	(003370–005268)	Fitting, Straight	1
5	42215	(003370–005268)	Fitting, Tee	1
6	47504	(003370–005268)	Fitting, Elbow	1
7	46481	(003370–005268)	Fitting, Elbow	2
8	31593	(003370–005268)	Bracket, Filters Mounting	1

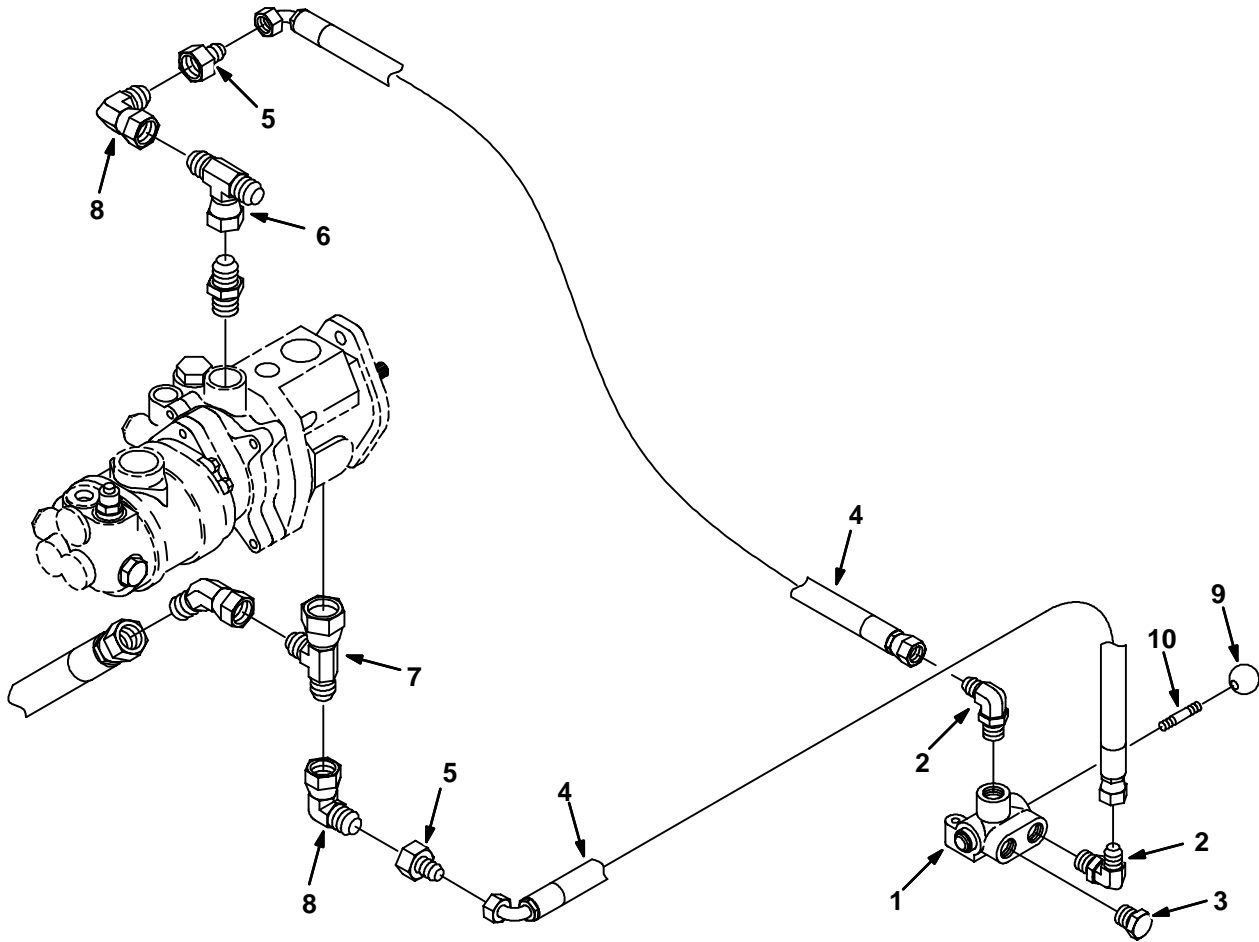
Fig. 42 – Hydraulic Filters Group



10149 – 550, 1550

	Ref.	Tennant Part No.	Machine Serial Number	Description	Qty.
▽	1	10664	(005269–) Filter Assembly, Hydraulic	1
▲	2	65221	(005269–) Element, Filter	1
	3	40514	(005269–) Fitting, Tee	1
	4	46481	(005269–) Fitting, Elbow	2
	5	79075	(005269–) Bracket, Filters Mounting	1

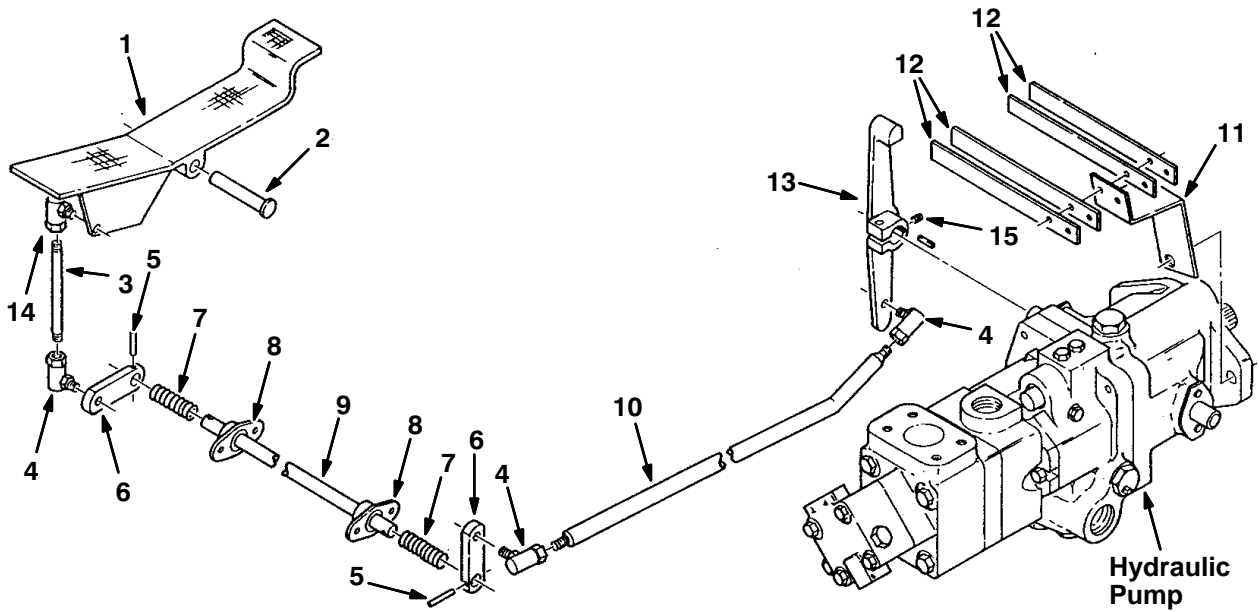
Fig. 43 – Hydraulic Tow Bypass Group



09752 – 550, 1550

Ref.	Tennant Part No.	Machine Serial Number	Description	Qty.
1	48108A	(005101–005268)	Valve, Hydraulic (See Breakdowns)	1
2	56821	(005101–005268)	Fitting, Elbow	2
3	40362	(005101–005268)	Fitting, Plug	1
4	57196	(005101–005268)	Hose, Hydraulic	2
5	78143	(005101–005268)	Fitting, Straight	2
6	62389	(005101–005268)	Fitting, Tee	1
7	40514	(005101–005268)	Fitting, Tee	1
8	35033	(005101–005268)	Fitting, Elbow	2
9	26565	(005101–005268)	Knob	1
10	36829	(005101–005268)	Stud	1

Fig. 44 – Directional Pedal Group



09950 – 550

Ref.	Tennant Part No.	Machine Serial Number	Description	Qty.
1	42240	(003370-004437)	Pedal, Foot Speed	1
2	06474A	(003370-004437)	Pin, Clevis	1
3	76823	(003370-004437)	Stud	1
4	51531	(003370-004437)	Ball Joint, Lower	3
5	22134	(003370-004437)	Pin, Roll	2
6	52789	(003370-004437)	Link, Directional Control	2
7	22290	(003370-004437)	Spring	2
8	47585	(003370-004437)	Bearing, Flange	2
9	76821	(003370-004437)	Shaft, Control	1
10	76822	(003370-004437)	Link, Control	1
11	54127	(003370-004437)	Angle, Spring Mounting	1
12	49681	(003370-004437)	Spring, Pump Lever Centering	4
13	42897	(003370-004437)	Lever, Pump Control	1
14	63282	(003370-004437)	Ball Joint, Upper	1
15	39322	(003370-004437)	Screw, Set	1

Fig. 45 – Directional Pedal Group

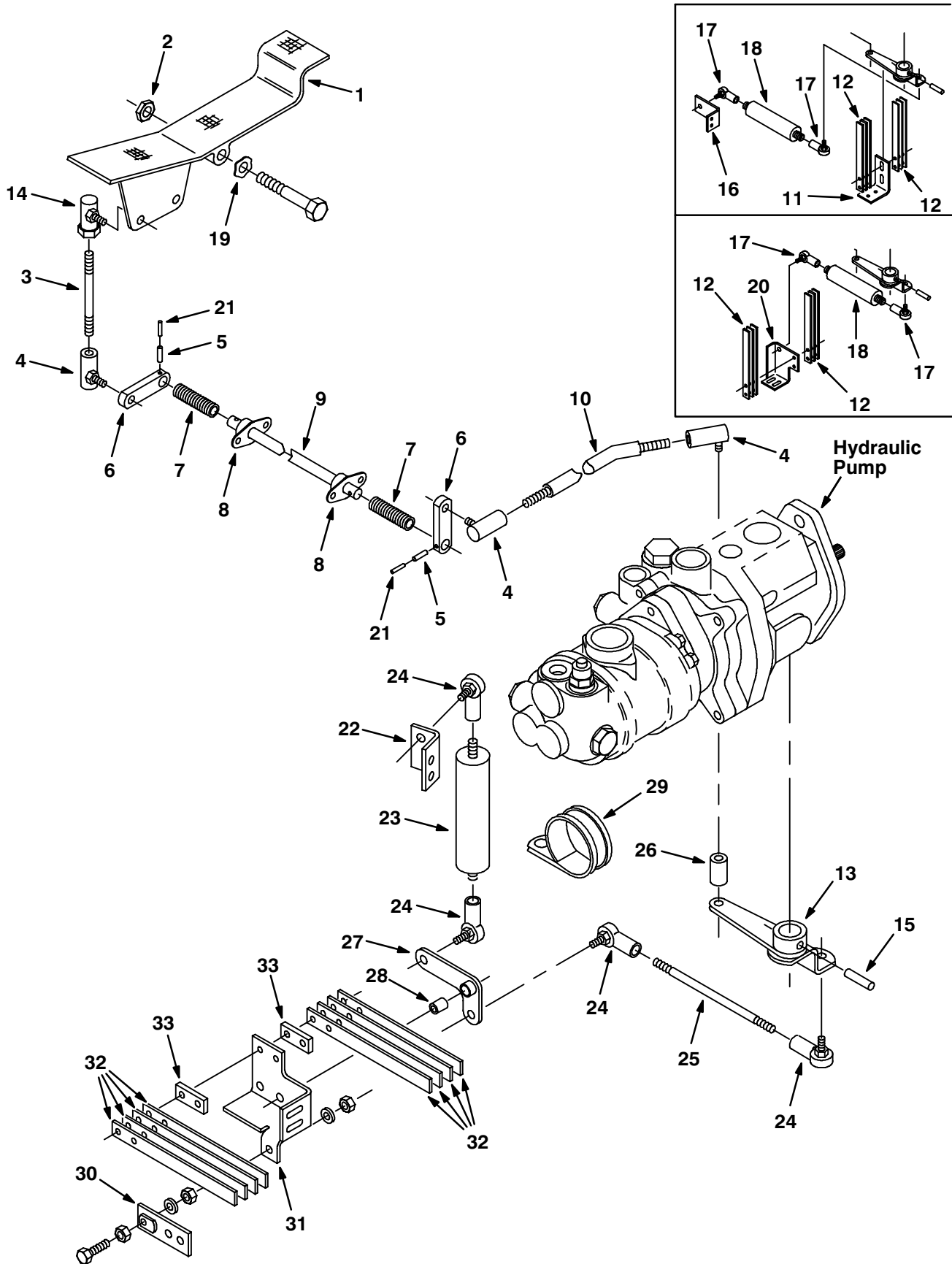


Fig. 45 – Directional Pedal Group

Ref.	Tennant Part No.	Machine Serial Number	Description	Qty.
1	42240	(004438–005268)	Pedal, Foot Speed	1
2	86029	(004438–005268)	Nut, Nex, Thin	1
3	76823	(004438–005268)	Stud	1
4	50493	(004438–005268)	Ball Joint	3
5	22134	(004438–005268)	Pin, Roll	2
6	52789	(004438–005268)	Link, Directional Control	2
7	22290	(004438–005268)	Spring	2
8	47585	(004438–005268)	Bearing, Flange	2
9	76821	(004438–005268)	Shaft, Control	1
10	48887	(004438–005268)	Link, Control	1
11	48879	(004438–004626)	Angle, Spring Mounting	1
12	49681	(004438–004827)	Spring, Pump Lever Centering	6
13	62702	(004438–005268)	Arm, Pump Control	1
14	63282	(004438–005268)	Ball Joint, Upper	1
15	14854	(004438–005268)	Roll, Pin	1
16	48897	(004438–004626)	Angle, Shock	1
17	50493	(004438–004827)	Rod, End	2
18	62700	(004438–004827)	Shock, Absorber	1
19	52508	(004438–005268)	Washer, Wavy	1
20	25659	(004627–004827)	Angle, Shock	1
21	46029	(004438–005268)	Pin, Roll	2
22	65935	(004828–005268)	Angle, Shock Mount	1
23	62700	(004828–005268)	Shock, Absorber	1
24	50493	(004828–005268)	Rod, End	4
25	65942	(004828–005268)	Rod, Shock	1
26	65941	(004828–005268)	Spacer	1
27	65936	(004828–005268)	Bellcrank	1
28	76390	(004828–005268)	Sleeve	1
29	41016	(004828–005268)	Clamp, Cable	1
30	65939	(004828–005268)	Strap, Adjuster	1
31	65934	(004828–005268)	Angle, Shock	1
32	49681	(004828–005268)	Spring, Pump Lever Centering	8
33	65940	(004828–005268)	Spacer, Spring	2

Fig. 46 – Directional Pedal Group

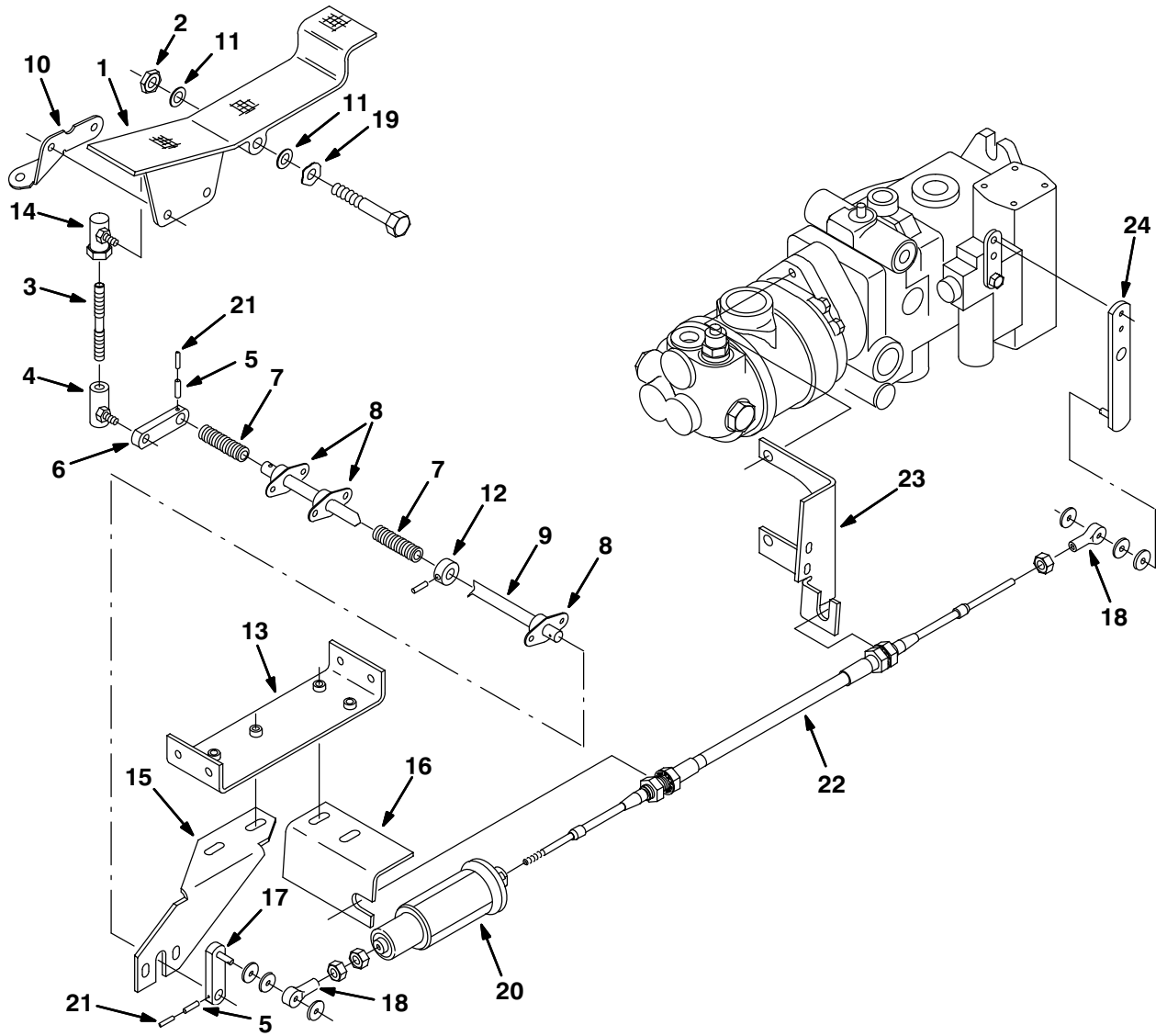
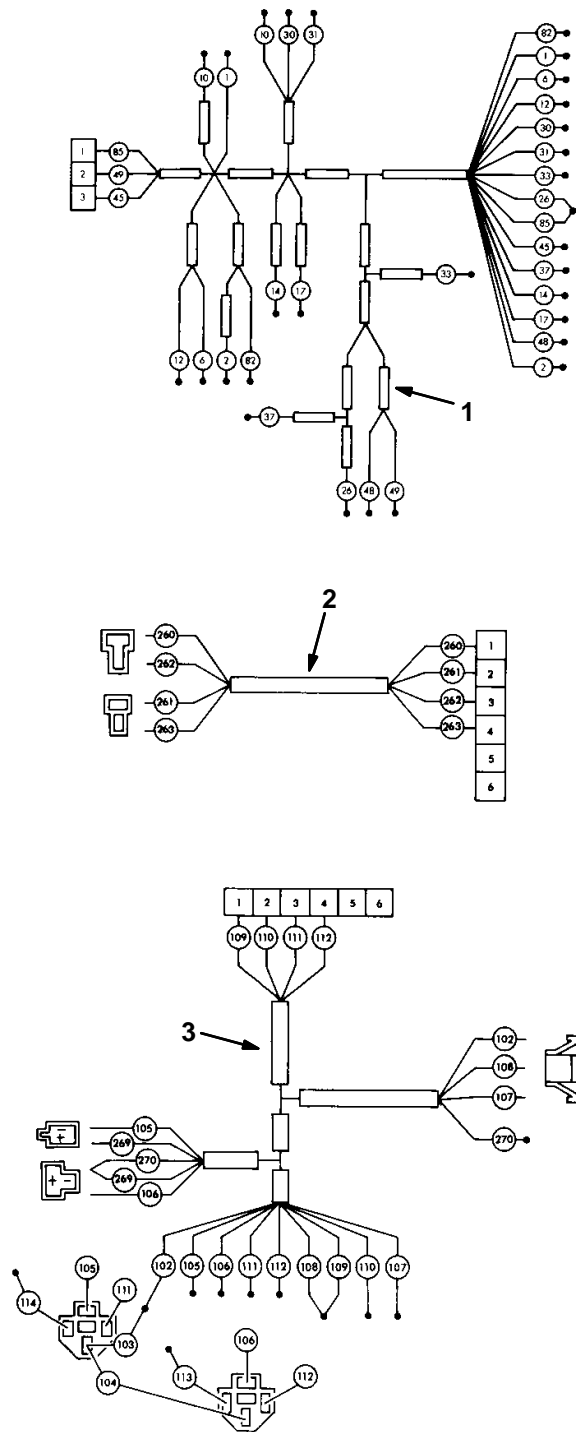


Fig. 46 – Directional Pedal Group

Ref.	Tenant Part No.	Machine Serial Number	Description	Qty.
1	42240	(005269–)	Pedal, Foot Speed	1
2	86029	(005269–)	Nut, Nex, Thin	1
3	79074	(005269–)	Stud	1
4	50493	(005269–)	Ball Joint,	1
5	22134	(005269–)	Pin, Roll	2
6	52789	(005269–)	Link, Directional Control	1
7	22290	(005269–)	Spring	2
8	47585	(005269–)	Bearing, Flange	3
9	79067	(005269–)	Shaft, Control	1
10	79066	(005269–)	Bracket, Stop	1
11	59633	(005269–)	Bearing, Thrust	1
12	75371	(005269–)	Collor, Locking	1
13	79068	(005269–)	Bracket, Main	1
14	63282	(005269–)	Ball Joint, Upper	1
15	79069	(005269–)	Bracket, Mtg, Bearing	1
16	79070	(005269–)	Bracket, Cable	1
17	79077	(005269–)	Link, Direct Control	1
18	68866	(005269–)	Rod End	2
19	52508	(005269–)	Washer, Wavy	1
20	63292	(005269–)	Spring, Propel, Centering	1
21	46029	(005269–)	Pin, Roll	2
22	79080	(005269–)	Cable, Push–Pull	1
23	79071	(005269–)	Bracket, Cable & Alarm	1
24	79073	(005269–005349)	Lever, Pump	1
24	79114	(005350–)	Lever, Pump	1

Fig. 47 – Wire Harnesses Group



00357-00806-550

Ref.	Tenant Part No.	Machine Serial Number	Description	Qty.
1	76217	(003370-003373)	Wire Harness, Main, Gasoline and LPG	1
1	02515	(003374-004254)	Wire Harness, Main, Gasoline and LPG	1
1	25181	(004255-)	Wire Harness, Main, Gasoline and LPG	1
2	76231	(003370-004254)	Wire Harness, Auto Squeegee	1
2	25184	(004255-)	Wire Harness, Auto Squeegee	1
3	31651	(003370-004254)	Wire Harness, Tractor, Auto Squeegee	1
3	25182	(004255-)	Wire Harness, Tractor, Auto Squeegee	1

Fig. 48 - Electrical Schematic-Gasoline, LPG (For machines below serial number 004255)

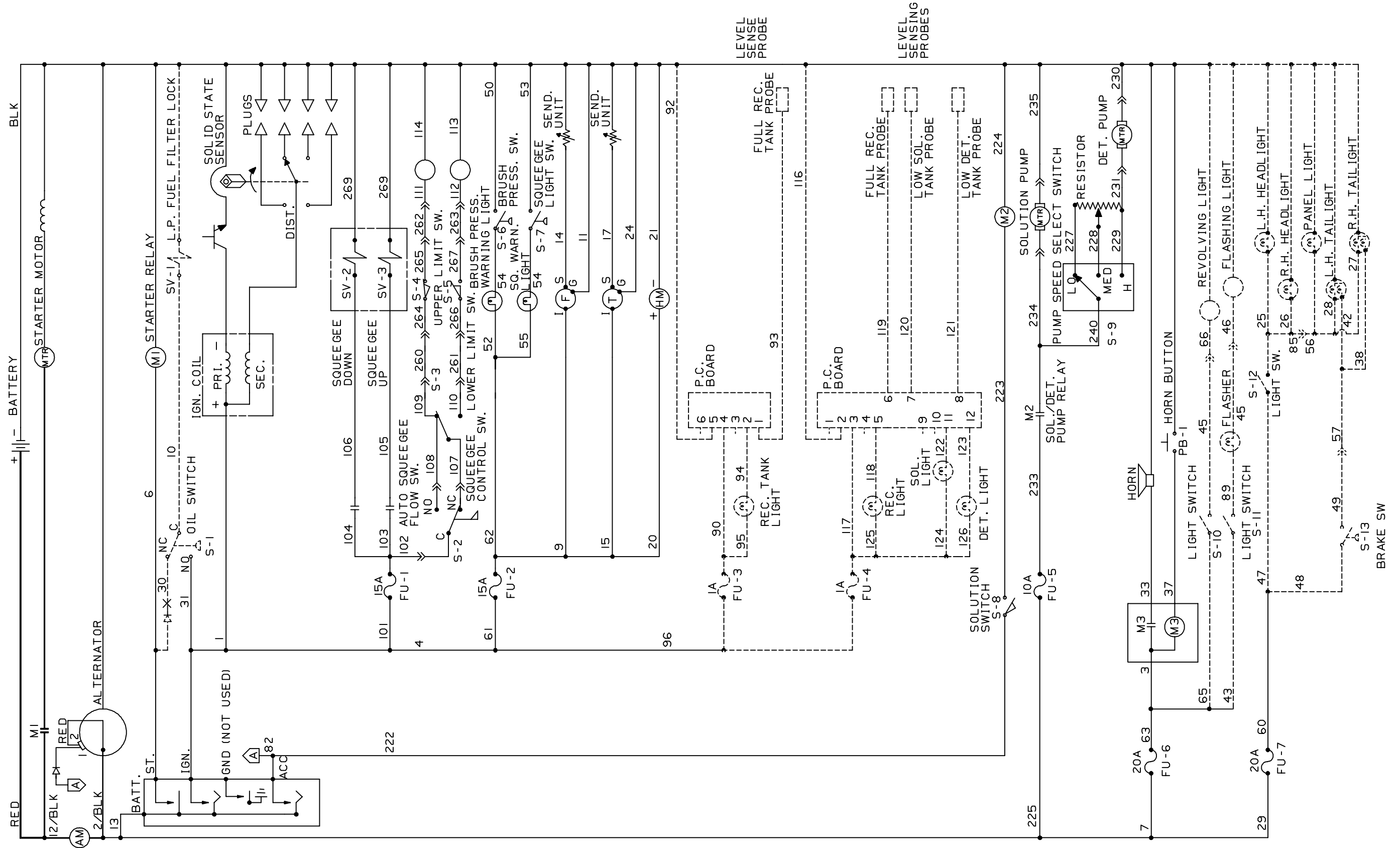


Fig. 49 – Electrical Schematic—Gasoline, LPG (For machines serial number 004255 and above)

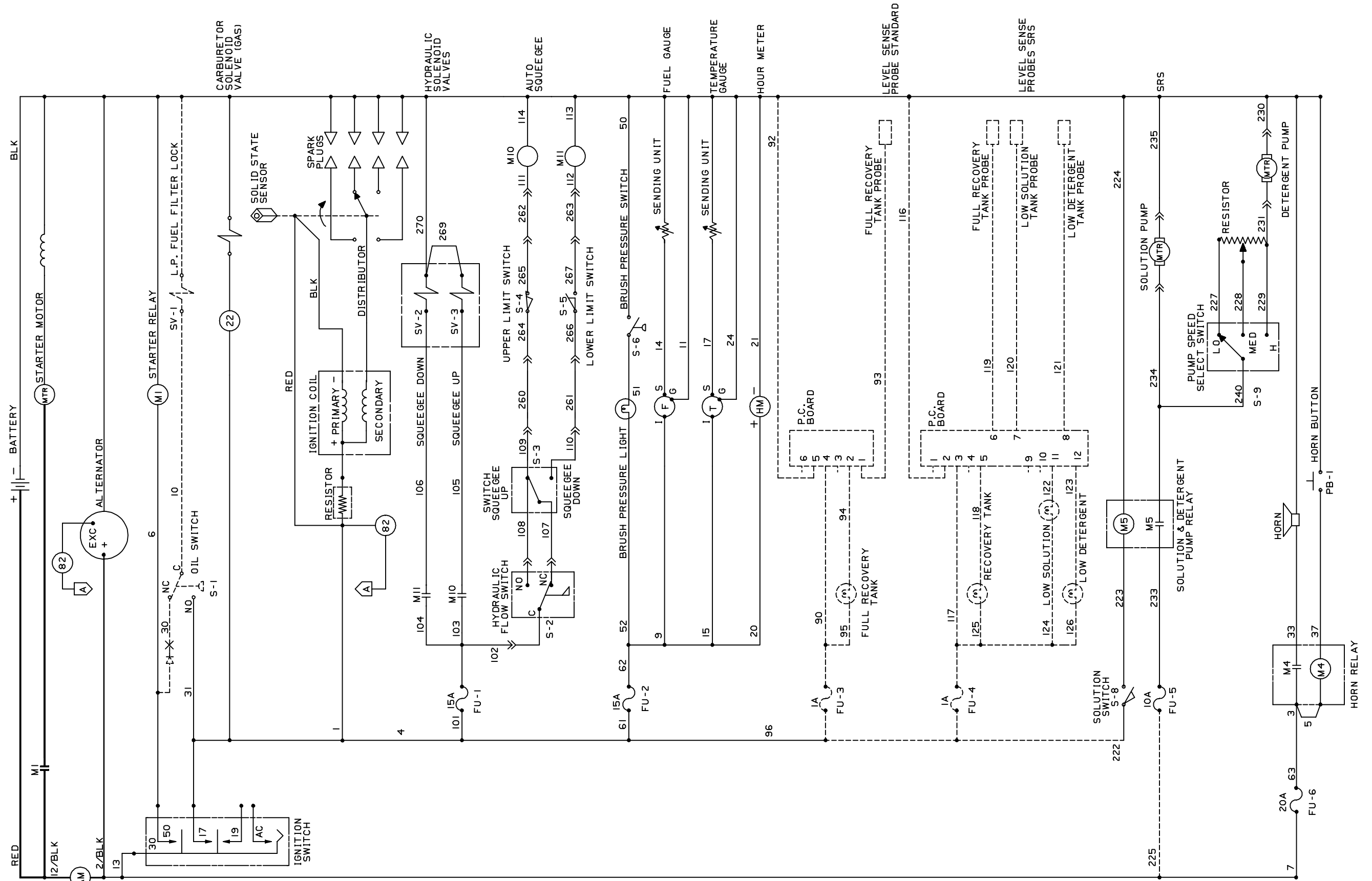
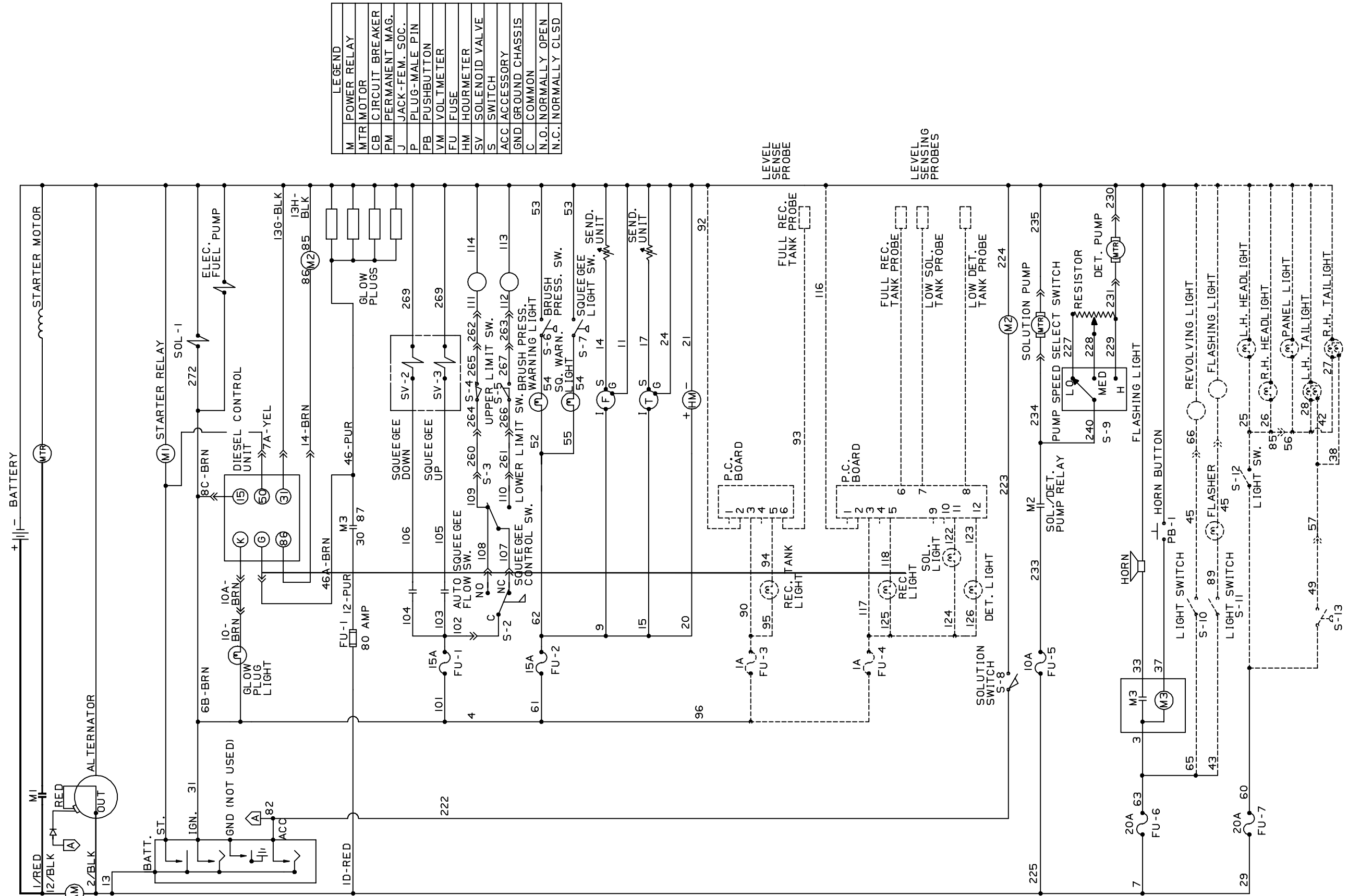
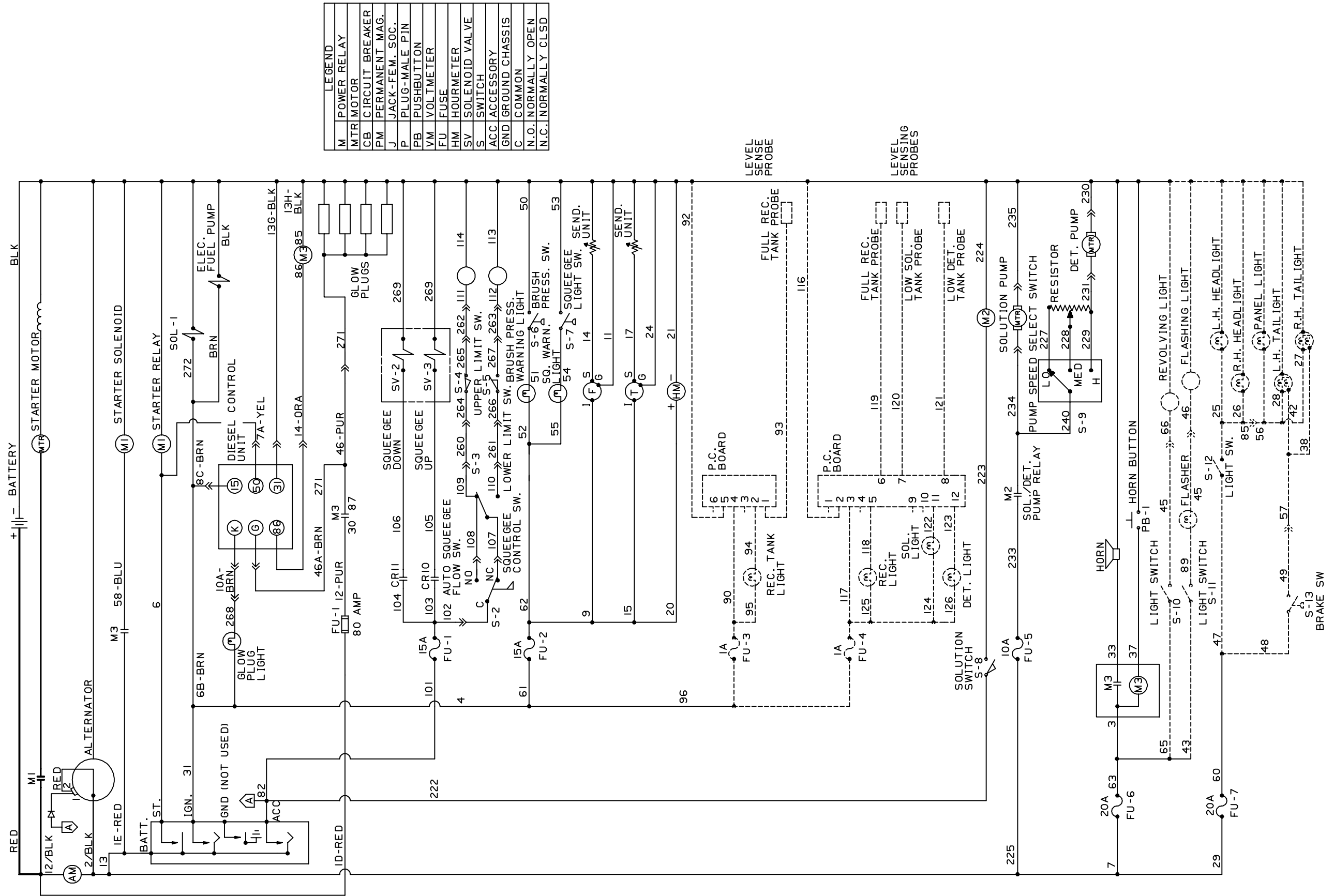


Fig. 50 – Electrical Schematic, Diesel (For machines below serial number 003619)



LEGEND	
M	POWER RELAY
MTR	MOTOR
CB	CIRCUIT BREAKER
PM	PERMANENT MAG.
J	JACK-FEM. SOC.
P	PLUG-MALE PIN
PB	PUSHBUTTON
VM	VOLTMETER
FU	FUSE
HM	HOURMETER
SV	SOLENOID VALVE
S	SWITCH
ACC	ACCESSORY
GND	GROUND CHASSIS
C	COMMON
N.O.	NORMALLY OPEN
N.C.	NORMALLY CLSD

Fig. 51 - Electrical Schematic, Diesel (For machines serial number 003619 to 004254)



LEGEND	
M	POWER RELAY
MTR	MOTOR
CB	CIRCUIT BREAKER
PM	PERMANENT MAG.
J	JACK-FEM. SOC.
P	PLUG-MALE PIN
PB	PUSHBUTTON
VM	VOLTMETER
FU	FUSE
HM	HOURLMETER
SV	SOLENOID VALVE
S	SWITCH
ACC	ACCESSORY
GND	GROUND CHASSIS
C	COMMON
N.O.	NORMALLY OPEN
N.C.	NORMALLY CLSD

LEVEL SENSE PROBE

LEVEL SENSING PROBES

Fig. 52 – Electrical Schematic, Diesel (For machines serial number 004255 and above)

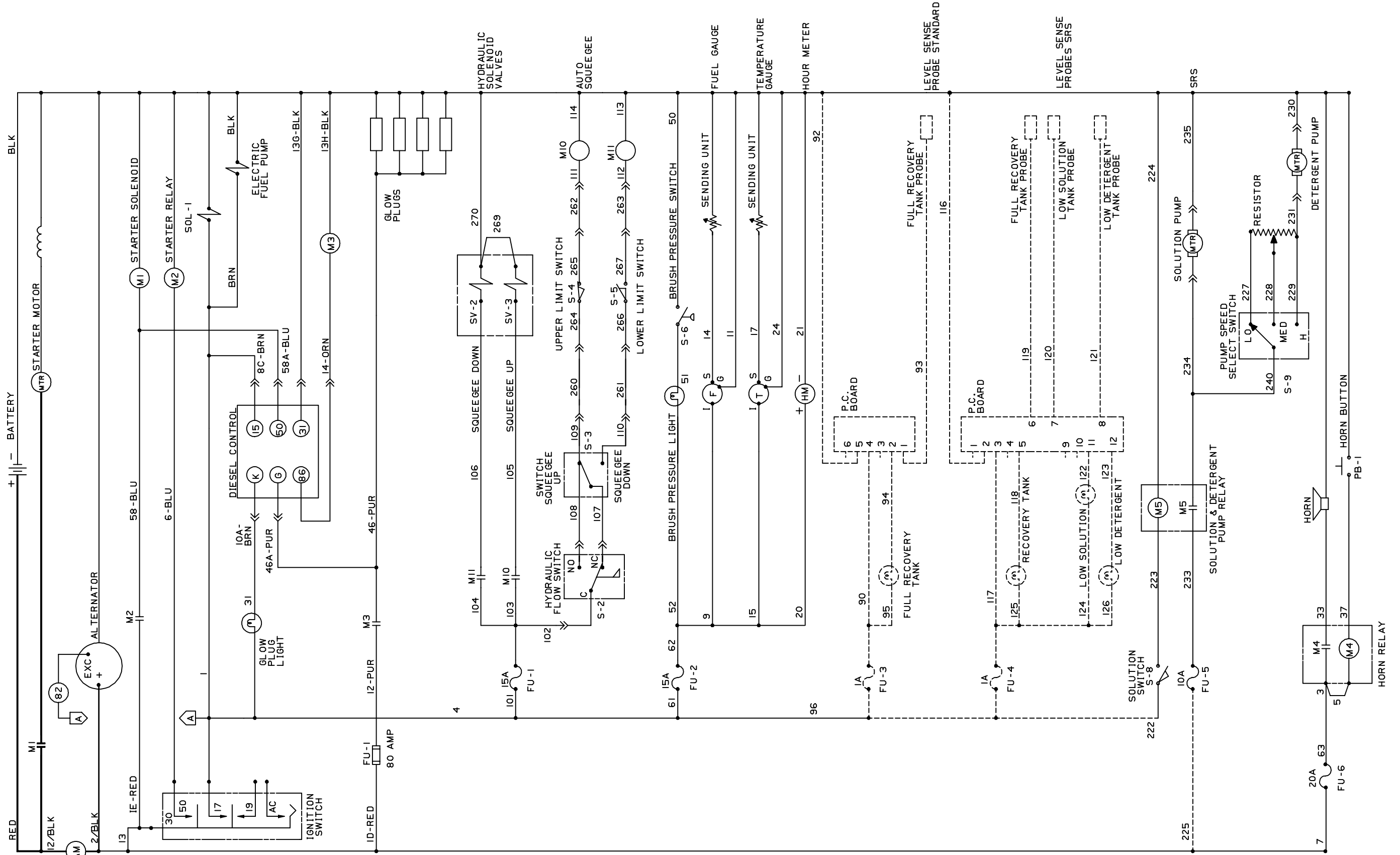


Fig. 53 – Electrical Schematic, Options (For machines serial number 004255 and above)

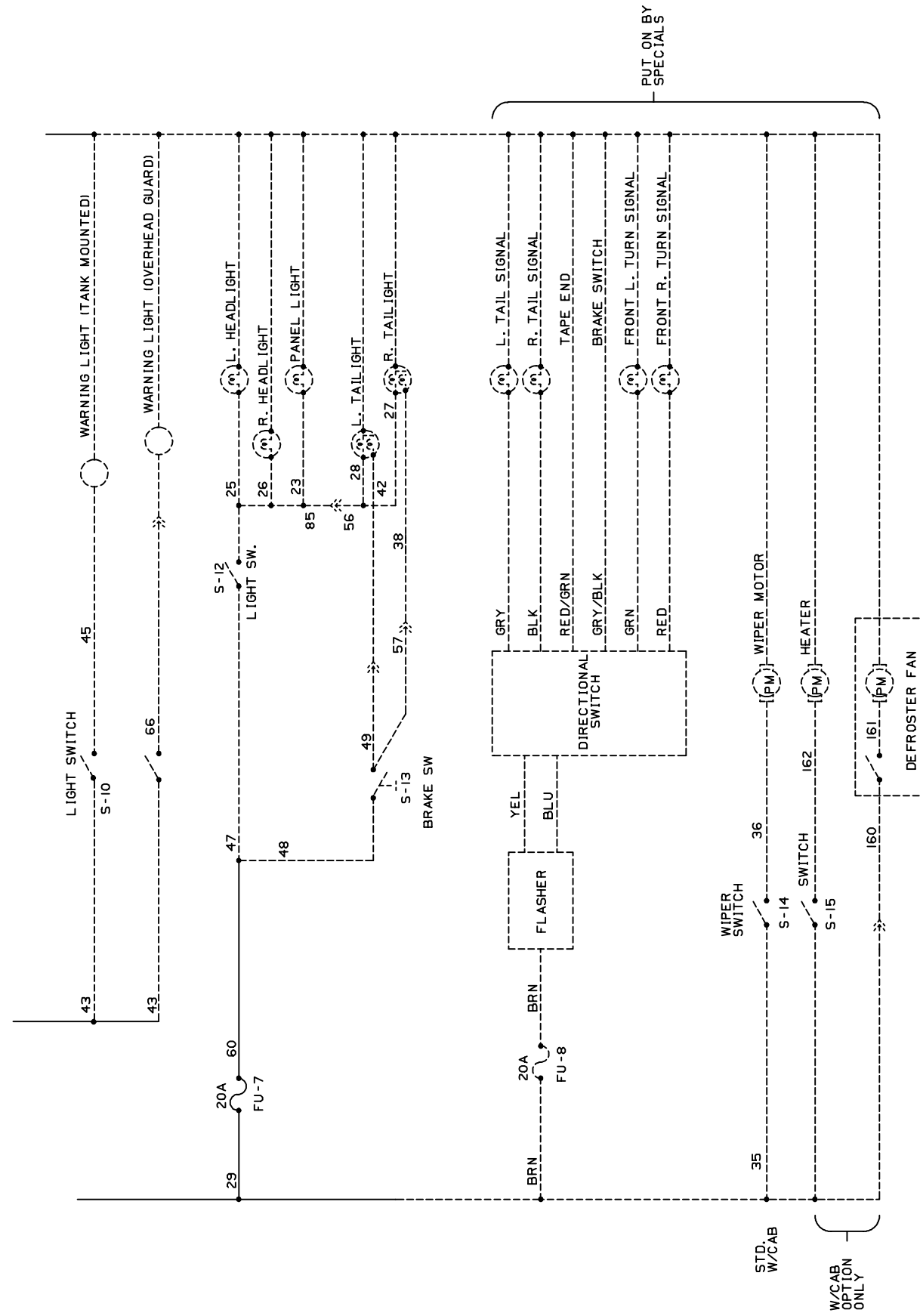
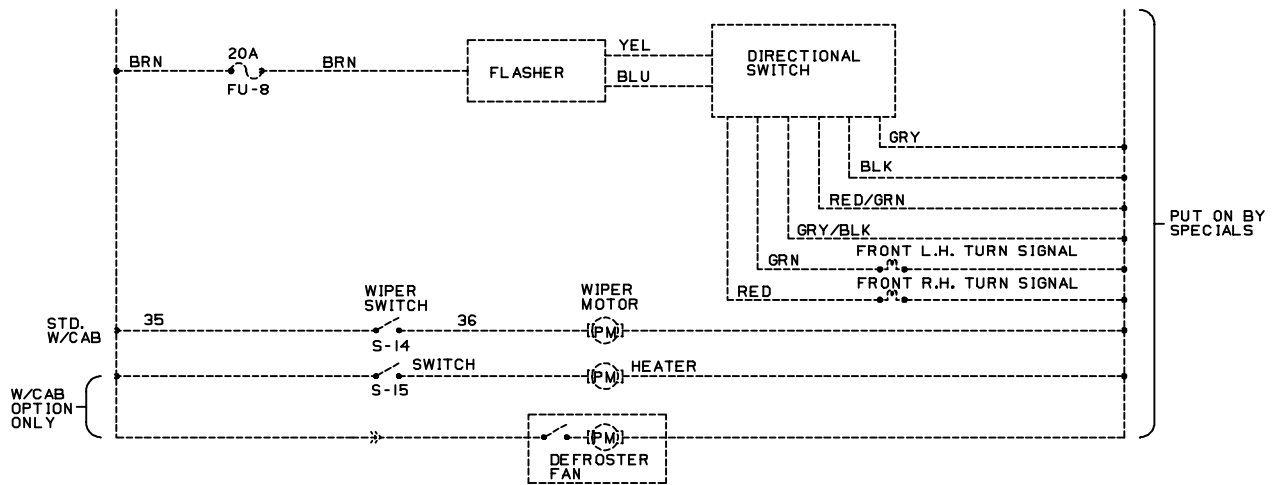


Fig. 54 – Electrical Schematic, Specials



PAGE 2 OF 2

LEGEND			
M	POWER RELAY	HM	HOURLMETER
MTR	MOTOR	SV	SOLENOID VALVE
CB	CIRCUIT BREAKER	S	SWITCH
PM	PERMANENT MAGNET	ACC	ACCESSORY
J	JACK-FEM. SOCKET	GND	GROUND CHASSIS
P	PLUG-MALE PIN	C	COMMON
PB	PUSHBUTTON	N.O.	NORMALLY OPEN
VM	VOLTMETER	N.C.	NORMALLY CLOSED
FU	FUSE		

06182 – 550, 1550

Fig. 55 – Vacuum Fan Idler Assembly

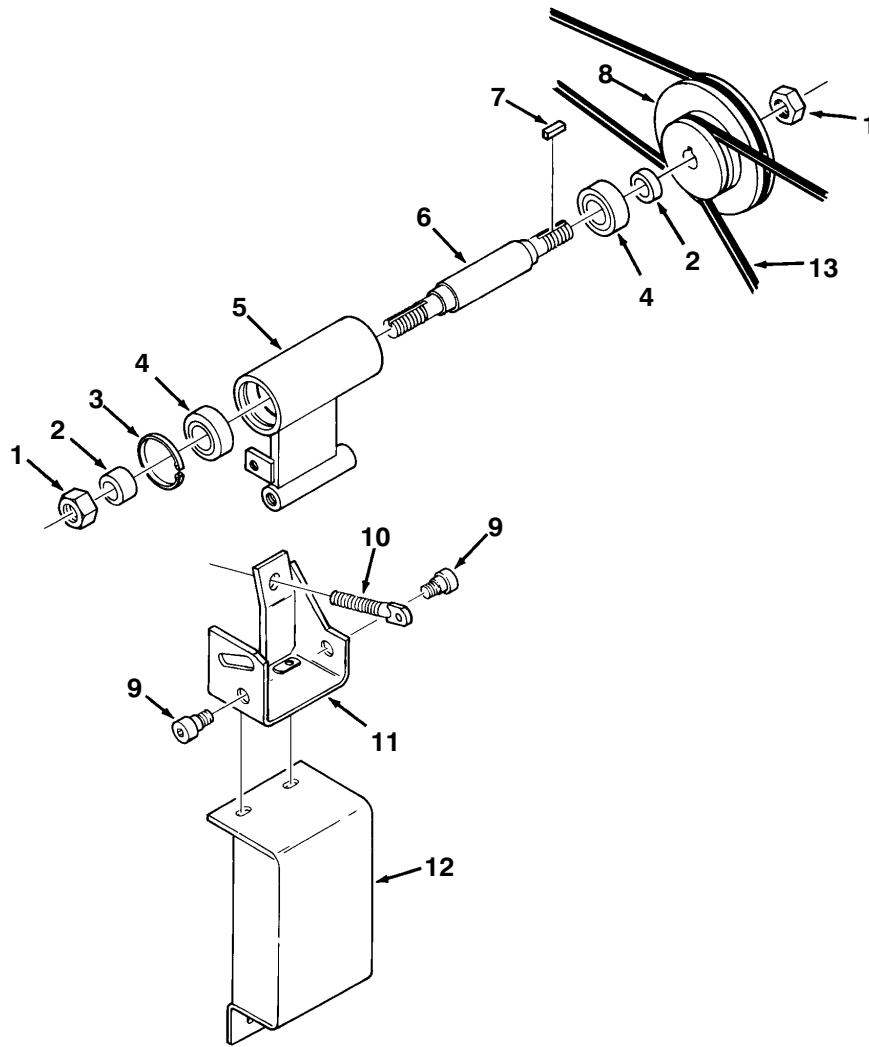


Fig. 55 – Vacuum Fan Idler Assembly

	Ref.	Tennant Part No.	Machine Serial Number	Description	Qty.
▽		78135	(003370–004437)	Idler, Assembly	1
▲	1	41109	(003370–004437)	Nut	2
▲	2	41046	(003370–004437)	Sleeve	2
▲	3	40727	(003370–004437)	Ring, Retaining	1
▲	4	13534	(003370–004437)	Bearing	2
▲	5	59851	(003370–004437)	Housing, Idler Shaft	1
▲	6	59874	(003370–004437)	Shaft, Idler	1
▲	7	00961	(003370–004437)	Key, Square	1
▲	8	76899	(003370–004437)	Sheave, Idler Shaft	1
▲	9	40565	(003370–004437)	Screw, Shoulder	2
▲	10	59865	(003370–004437)	Bolt, Eye	1
▲	11	59857	(003370–004437)	Bracket, Idler Mounting	1
	12	32712	(003370–004437)	Support, Shaft	1
	13	25642	(003370–004152)	Replacement Kit, V–Belt	1
	13	64899	(004153–004437)	V–Belt	1

Fig. 56 – Vacuum Fan Assembly

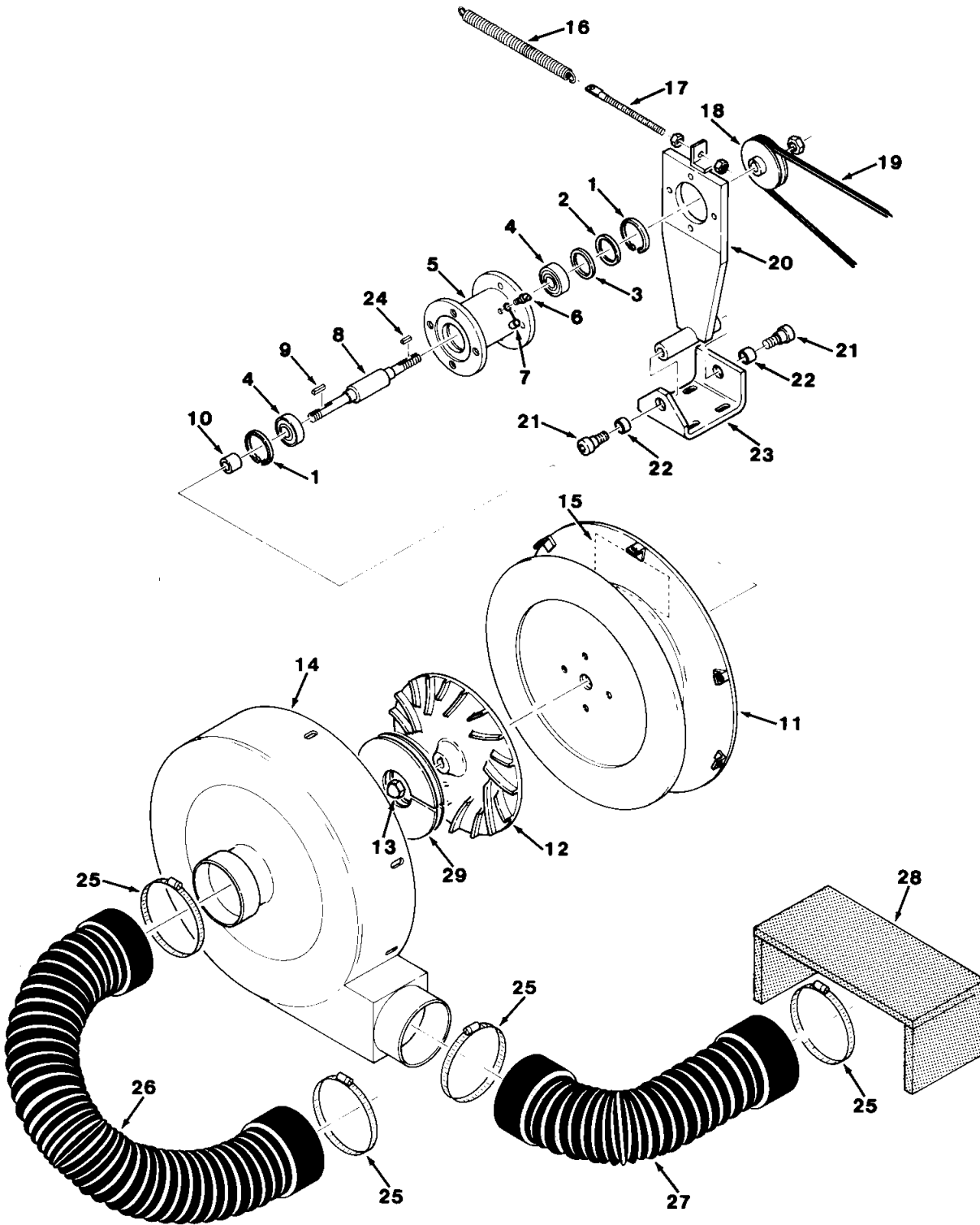
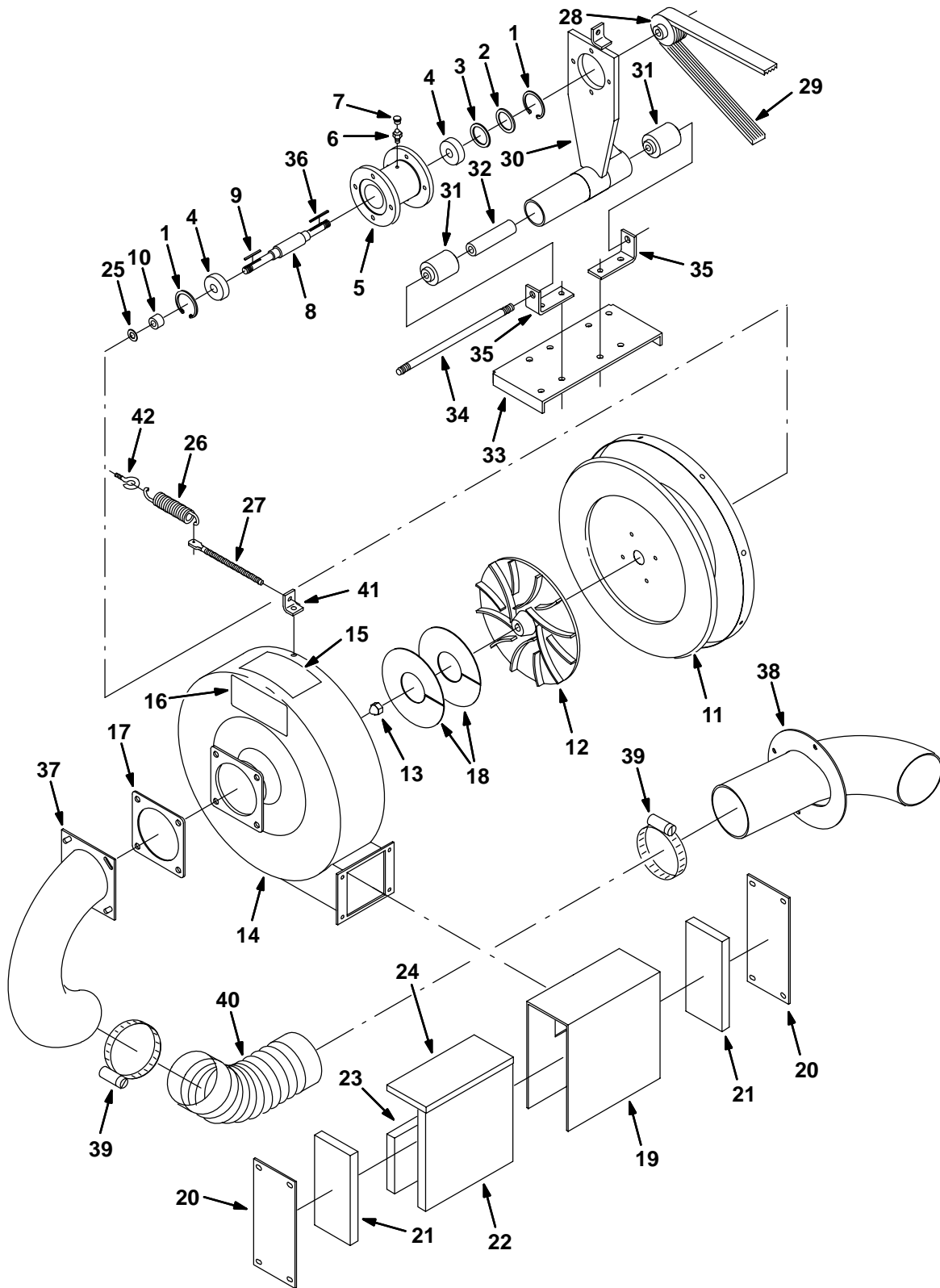


Fig. 56 – Vacuum Fan Assembly

Ref.	Tennant Part No.	Machine Serial Number	Description	Qty.	
▽	31614	(003370–004152)	Fan Assembly, Vacuum (Replaced by 61702)	1	
▲ 1	10464	(003370–004152)	Ring, Retaining	2	
▲ 2	75454	(003370–004152)	Shim	1	
▲ 3	42809	(003370–004152)	Washer, Wavy	1	
▲ 4	40496	(003370–004152)	Bearing, Ball	2	
▲ 5	16400	(003370–004152)	Housing, Bearing	1	
▲ 6	08407	(003370–004152)	Fitting, Grease	1	
▲ 7	40390	(003370–004152)	Cover, Grease	1	
▲ 8	03839	(003370–004152)	Shaft, Fan	1	
▲ 9	00966	(003370–004152)	Key, Square	1	
▲ 10	75461	(003370–004152)	Sleeve	1	
▲ 11	58107	(003370–004152)	Housing, Rear	1	
▲ 12	03922	(003370–004152)	Impeller	1	
▲ 13	41130	(003370–004152)	Nut, Low Crown	1	
▲ 14	31615	(003370–004152)	Housing, Front	1	
▲ 15	41007	(003370–004152)	Label, Lubricating Instructions	1	
	16	47745	(003370–004152)	Spring, Tension	1
	17	42331–1	(003370–004152)	Bolt, Eye	1
	18	76882	(003370–004152)	Sheave, Fan	1
	19	25642	(003370–004152)	Replacement Kit, V–Belt	1
	20	31619	(003370–004152)	Bracket, Fan	1
	21	40565	(003370–004152)	Screw, Shoulder	2
	22	40840	(003370–004152)	Bushing, Bronze	2
	23	75467	(003370–004152)	Bracket, Mounting	1
	24	00960	(003370–004152)	Key, Square	1
	25	23498	(003370–004152)	Clamp, Wormdrive	4
	26	40870–1	(003370–004152)	Hose Assembly	1
	27	40870–5	(003370–004152)	Hose Assembly	1
	28	75210	(003370–004152)	Insulation, Muffler	1
	29	58114	(003370–004152)	Repair Kit, Fan Assembly	1

Fig. 57 – Vacuum Fan Assembly



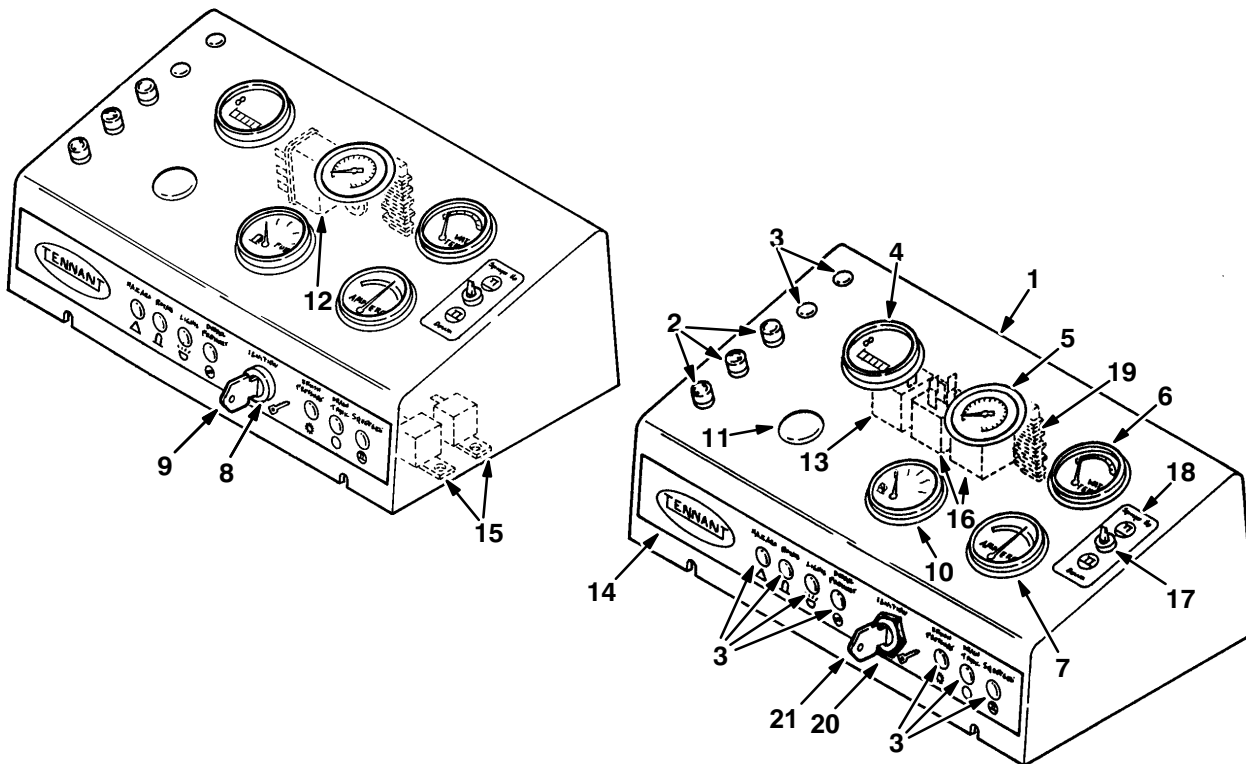
11117 – 550

Ref.	Tennant Part No.	Machine Serial Number	Description	Qty.
∇	61701	(004153–)	Fan Assembly, Vacuum	1
▲ 1	10464	(004153–)	Ring, Retaining	2
▲ 2	75454	(004153–)	Shim	1

Fig. 57 – Vacuum Fan Assembly

Ref.	Tennant Part No.	Machine Serial Number	Description	Qty.
▲	3	42809	(004153–) Washer, Wavy	1
▲	4	40496	(004153–) Bearing, Ball	2
▲	5	16400	(004153–) Housing, Bearing	1
▲	6	47801	(004153–) Fitting, Grease	1
▲	7	40390	(004153–) Cover, Grease	1
▲	8	03839	(004153–004437) Shaft, Fan (Replaced by 61694)	1
▲	8	375613	(004438–) Shaft, Fan	1
▲	9	00966	(004153–) Key, Square	1
▲	10	75461	(004153–) Sleeve	1
▲	11	58107	(004153–) Housing, Rear	1
▲	12	03922	(004153–) Impeller	1
▲	13	41130	(004153–) Nut, Low Crown	1
▲▽	25383	(004153–)	Housing Assembly, Front	1
▲▲	14	25189	(004153–) Housing, Front	1
▲▲	15	41007	(004153–) Label, Lubricating Instructions	1
▲▲	16	40052	(004153–) Label, Danger, Fan Suction	1
▲▲	17	25216	(004153–) Gasket, Fan	1
▲	18	58114	(004153–) Repair Kit, Fan Assembly	1
▲▽	09314	(004153–)	Muffler Assembly	1
▲▲	19	25207	(004153–) Frame, Muffler	1
▲▲	20	25208	(004153–) Plate, Side	2
▲▲	21	25373	(004153–) Foam, Acoustic	2
▲▲	22	25359	(004153–) Foam, Acoustic	1
▲▲	23	25364	(004153–) Foam, Acoustic	1
▲▲	24	25365	(004153–) Foam, Acoustic	1
▲	25	75456	(004153–) Shim, 0.003" (0.07 mm)	1
▲		75456–1	(004153–) Shim, 0.005" (0.12 mm)	1
▲		75456–2	(004153–) Shim, 0.010" (0.25 mm)	2
▲		75456–3	(004153–) Shim, 0.020" (0.50 mm)	2
▲		75456–4	(004153–) Shim, 0.060" (1.52 mm)	2
	26	50864	(004153–) Spring, Tension	1
	27	42331–1	(004153–) Bolt, Eye	1
	28	76882	(004153–004437) Sheave, Fan	1
	28	375614	(004438–) Sheave, Fan	1
	29	25642	(003370–004153) Replacement Kit, V–Belt	1
	29	25643	(004154–004437) V–Belt	1
	29	25202	(004438–) V–Belt	1
▽	25640	(004153–)	Bracket Mounting Assembly, Fan	1
▲	30	25632	(004153–) Bracket, Mounting	1
▲	31	25384	(004153–) Bearing	2
▲	32	25636	(004153–) Spacer	1
	33	25655	(004438–) Mount, Fan	1
	34	25637	(004153–) Rod, Threaded	1
	35	25639	(004153–) Bracket, Angle	2
	36	00911	(004153–) Key, Square	1
	37	25212	(004153–) Tube, Intake	1
	38	09311	(004153–) Tube, Inlet	1
	39	23498	(004153–) Clamp, Wormdrive	2
	40	40870–2	(004153–) Hose Assembly	1
	41	49021	(004153–) Angle	1
	42	11893	(004153–) Bolt, Eye	1

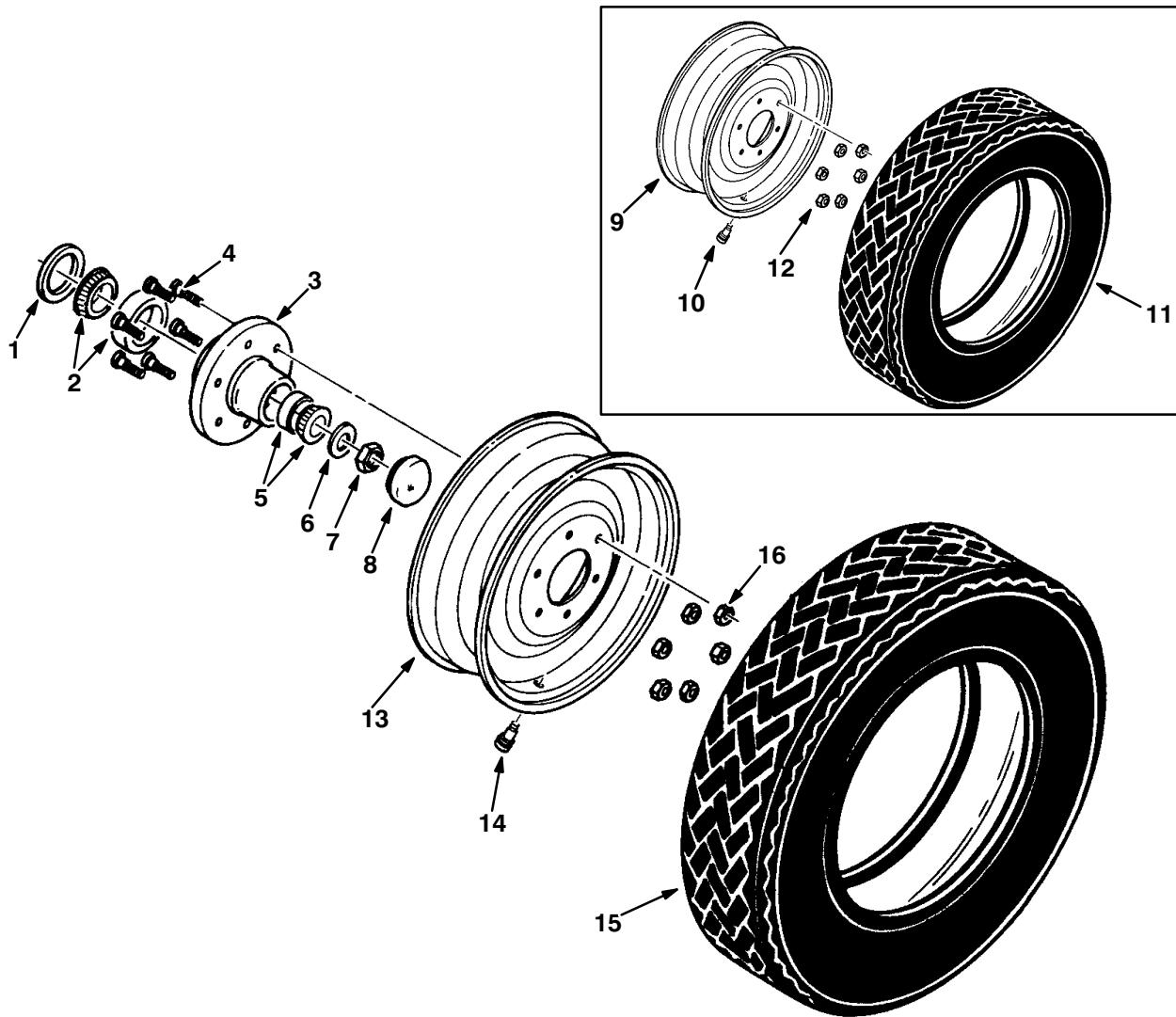
Fig. 58 – Instrument Panel Group



00195 – 550

Ref.	Tennant Part No.	Machine Serial Number	Description	Qty.	
1	16676	(003370-004254)	Console, Instrument	1	
1	25645	(004255-)	Console, Instrument	1	
2	07422	(003370-)	Holder, Fuse	3	
	14215	(003370-)	Fuse, 20 A	1	
	07423	(003370-)	Fuse, 15 A	2	
3	56992	(003370-)	Plug Button, 0.50" (13 mm)	9	
4	34810	(003370-)	Meter, Hour	1	
5	21693	(003370-005496)	Replacement Kit, Oil Pressure Gauge	1	
5	21690	(005497-)	Gauge, Oil Pressure	1	
6	50330	(003370-)	Gauge, Water Temperature	1	
7	54180	(003370-)	Ammeter	1	
▽	8	62530	(003370-004254)	Switch, Ignition	1
▲	9	62530-1	(003370-004254)	Key, Ignition Switch (Set of 2)	1
10	34813	(003370-)	Gauge, Fuel Level	1	
11	47178-13	(003370-)	Plug Button, 1.25" (32 mm)	1	
12	12927	(003370-004254)	Replacement Kit, Horn Relay	1	
13	10865	(004255-)	Relay, Horn	1	
14	16667	(003370-)	Label, Instrument Console	1	
15	64730	(003370-004254)	Relay, Rear Squeegee Lift	2	
16	10865	(004255-)	Relay, Rear Squeegee Lift	2	
17	76306	(003370-)	Switch, On-Off, Squeegee Lift	1	
18	76234	(003370-)	Label, Switch, Squeegee Lift	1	
19	26523	(003370-)	Board, Terminal	1	
	76536	(003370-)	Wire Kit, Instrument Panel	1	
	47178-12	(003370-)	Plugbutton, 2.0" (50 mm)	1	
▽	20	87536	(004255-)	Switch, Ignition	1
▲	21	87866	(004255-)	Key, Ignition Switch (Set of 2)	1

Fig. 59 – Rear Wheel Group



00311 – 550

Ref.	Tennant Part No.	Machine Serial Number	Description	Qty.	
1	75072-5	(003370-) Seal, Inner Wheel Bearing	2	
2	75073	(003370-) Bearing Assembly, Cup and Cone	2	
▽	3	75072-1	(003370-) Hub Assembly	2
▲	4	32126	(003370-) Stud, Wheel	6
5	75075	(003370-) Bearing Assembly, Cup and Cone	2	
6	31705	(003370-) Washer, Flat	2	
7	41112	(003370-) Nut, Slotted	2	
8	57567	(003370-) Cap, Hub Dust	2	
▽	03967	(003370-004506) Tire and Wheel Assembly, Rear (Replaced by 48911)	2	
▲	9	78189	(003370-004506) Rim, Tire	1
▲	10	75365	(003370-004506) Valve, Tire, Air	1
▲	11	78187	(003370-004506) Tire (Replaced by 48910)	1
12	24339	(003370-004506) Nut, Wheel	12	
▽	48911	(004507-) Tire and Wheel Assembly, Rear	2	
▲	13	78189	(004507-) Rim, Tire	1
▲	14	75365	(004507-) Valve, Tire, Air	1
▲	15	48910	(004507-) Tire	1
16	24339	(004507-) Nut, Wheel	12	

Fig. 60 – Trunnion Group

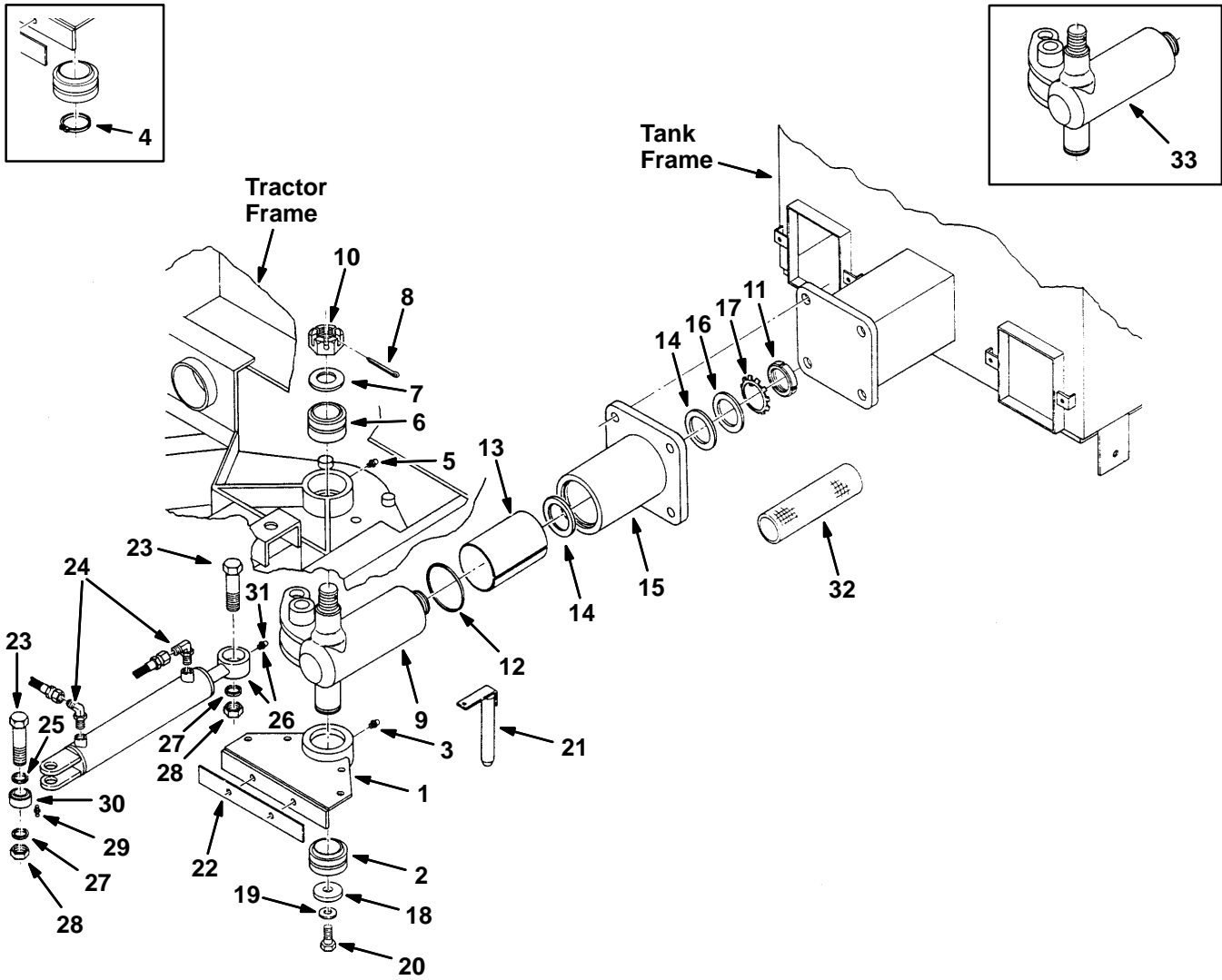


Fig. 60 – Trunnion Group

Ref.	Tennant Part No.	Machine Serial Number	Description	Qty.
▽	42399	(003370–)	Support Assembly, Lower Bearing	1
▲ 1	42311	(003370–)	Support, Lower Bearing	1
▲ 2	42120–2	(003370–)	Bearing	1
▲ 3	07259	(003370–)	Fitting, Grease	1
4	26439	(003370–003633)	Ring, Retaining	1
5	07259	(003370–)	Fitting, Grease	1
6	42120–2	(003370–)	Bearing	1
7	41066	(003370–)	Washer	3
8	08298	(003370–)	Pin, Cotter	1
▽	08100	(003634–)	Housing Assembly, Bearing	1
▲▽ 9	06846	(003634–)	Pivot, Shaft	1
▲▲ 10	13611	(003370–)	Nut, Slotted Hex	1
▲▲ 11	41073	(003370–)	Nut, Lock	1
▲ 12	41082	(003370–)	O–Ring	1
▲ 13	41083	(003370–)	Bearing, Liner	1
▲ 14	41084	(003370–)	Bearing, Thrust	2
▲ 15	32724	(003370–)	Housing, Pivot	1
▲ 16	41081	(003370–)	Washer	1
▲ 17	369701	(003370–)	Washer, Lock	1
▲ 18	06845	(003634–)	Washer, Spacer	1
▲ 19	15331	(003634–)	Washer	1
▲ 20	08099	(003634–)	Screw, Hex	1
21	75296	(003370–)	Pin, Articulating Locking	1
22	76540	(003370–)	Shim	1
	44961	(003370–)	Tie, Cable	2
23	39912	(003370–)	Screw, Hex	2
24	56820	(003370–)	Fitting, Elbow	2
25	76915	(003370–)	Washer	1
26	04431	(003370–)	Cylinder, Hydraulic (See Breakdowns)	1
27	39347	(003370–)	Washer, Flat	2
28	02464	(003370–)	Nut, Nylon	2
29	06418	(003370–)	Fitting, Grease	1
30	42120–4	(003370–)	Bearing, Self–Aligning	1
31	47801	(003370–)	Fitting, Grease	1
32	82833	(004255–)	Sleeve, Nylon	1
	19659	(004255–)	Sleeve, Nylon	1
33	06837	(003370–003633)	Service Kit, Pivot Shaft	1

STANDARD PARTS

Fig. 61 – Front Side of Solution and Recovery Tanks Group

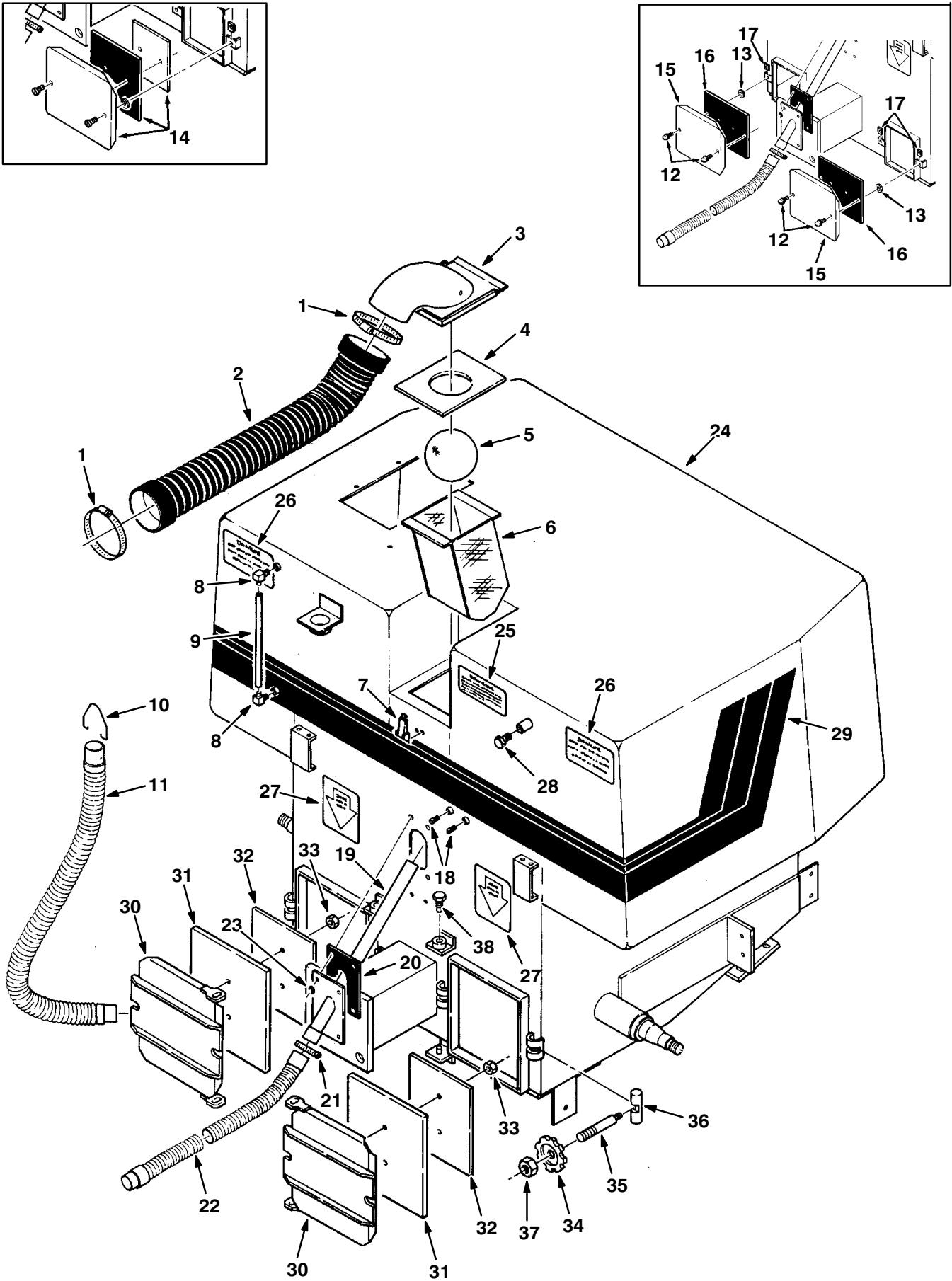


Fig. 61 – Front Side of Solution and Recovery Tanks Group

Ref.	Tennant Part No.	Machine Serial Number	Description	Qty.
1	23498	(003370–)	Clamp, Worm Drive	2
2	09322	(003370–004152)	Hose Kit, Interconnection	1
2	25360	(004153–)	Hose, Vacuum Fan	1
3	75182	(003370–)	Flange, Top Float	1
4	75188	(003370–)	Seal, Float Flange	1
5	75106	(003370–)	Ball, Float	1
6	75103	(003370–)	Retainer, Ball	1
7	87579	(003370–)	Latch, Cam Lock	1
8	08228	(003370–)	Elbow, Solution Level	2
9	42779	(003370–)	Hose, Solution Level	1
10	40550	(003370–)	Clip, Drain Hose Retainer	1
11	76828	(003370–)	Hose, Recovery Tank Drain	1
▽	42038	(003370–004933)	Door Assembly, Cleanout	2
▲	12 25665	(003370–004344)	Replacement Kit, Thumbscrew	2
▲	12 25656	(004345–004933)	Fastener, Thumbscrew	2
▲	13 26015	(003370–004933)	Fastener, Washer	2
▲	14 06333	(003370–003696)	Service Kit, Cleanout Door	1
▲	15 42034	(003697–004933)	Door, Cleanout	1
▲	16 06332	(003697–004933)	Gasket, Door	1
17	28165	(003370–004344)	Fastener, Nut	4
17	25663	(004345–004933)	Fastener, Nut	4
18	63511	(003370–)	Plug	2
19	75045	(003370–)	Tube, Front Suction	1
20	76532	(003370–)	Seal, Suction Tube	1
21	22297	(003370–)	Clamp, Worm Drive	1
22	75635	(003370–)	Hose, Debris	1
23	76426	(003370–)	Washer, Sealing	4
24	65890	(003370–004933)	Replacement Kit, Tank	1
▽	24 75143–2	(004934–)	Tank, Solution and Recovery	1
▲	25 40052	(003370–)	Label, Danger, Fan Suction	1
▲	26 57630	(003370–)	Label, Danger, Keep Out	2
▲	27 76157	(003370–)	Label, Jack Only On Pad	2
▲	28 75611	(003370–)	Fitting, Plug	1
▲	09905	(003370–)	Label, TENNANT Logo	1
29	75816	(003370–)	Label, Stripe, L.H.	1
30	61176	(004934–)	Door	2
31	61174	(004934–)	Gasket, Door	2
32	61175	(004934–)	Plate, Door	2
33	41169	(004934–)	Nut, Stainless Steel	4
34	82958	(004934–)	Knob, Door Latch	4
35	61171	(004934–)	Stud, Door Latch	4
36	61170	(004934–)	Rod, Door Latch	4
37	36644	(004934–)	Nut, Locking	4
38	61181	(004934–)	Pivot, Door Hinge	2

STANDARD PARTS

Fig. 62 – Rear Side of Solution and Recovery Tanks Group

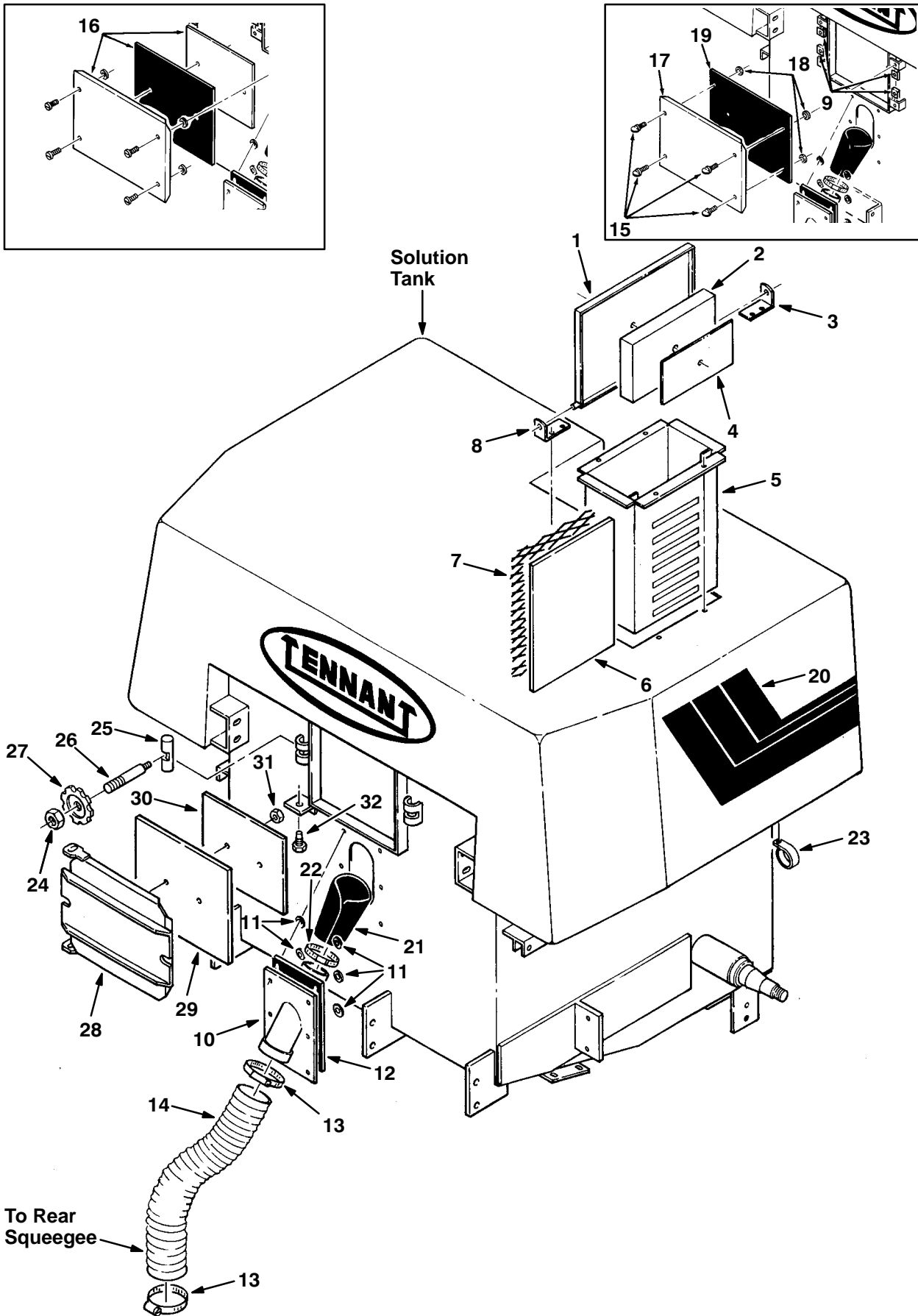
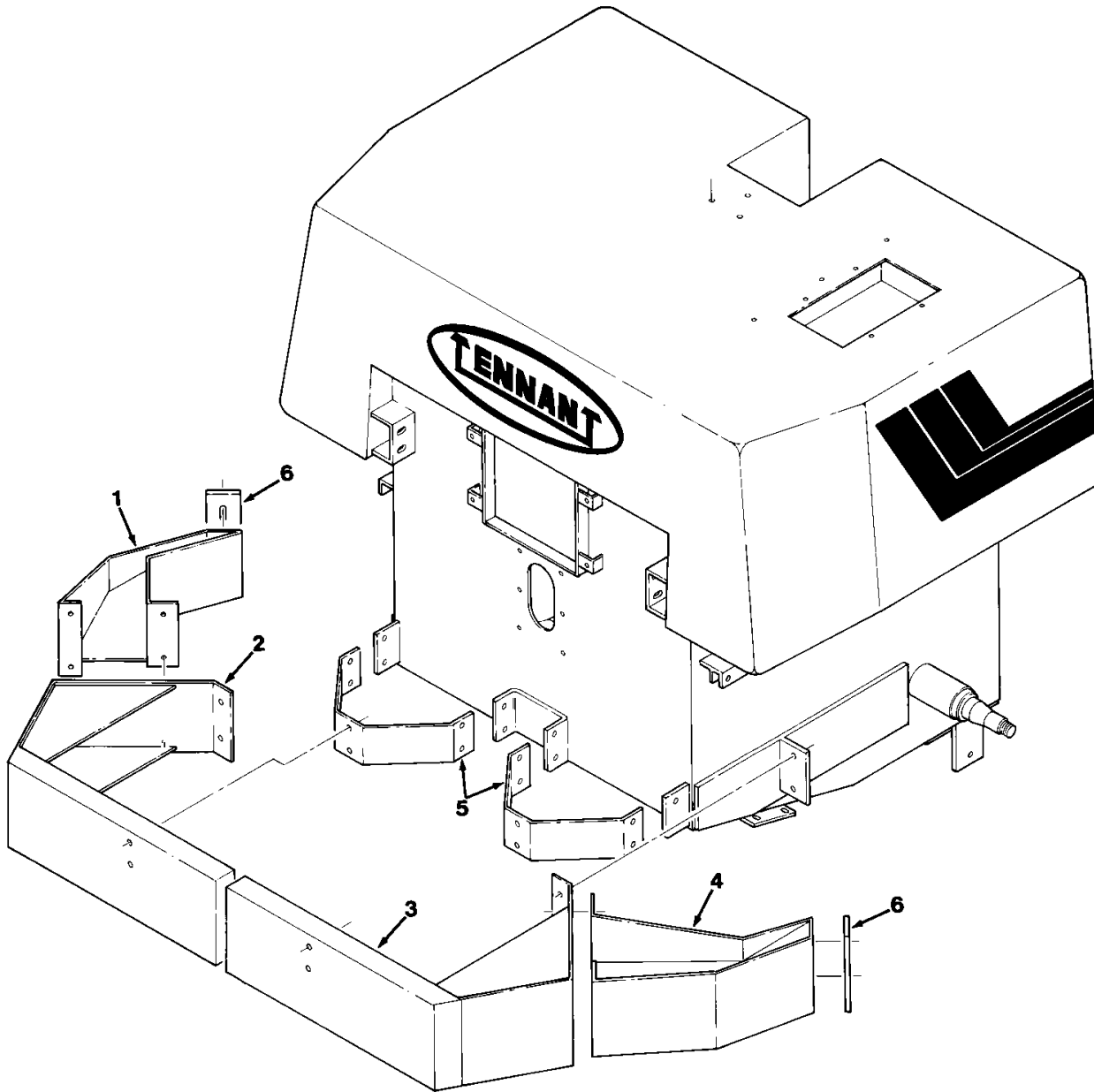


Fig. 62 – Rear Side of Solution and Recovery Tanks Group

Ref.	Tennant Part No.	Machine Serial Number	Description	Qty.
1	75170	(003370–)	Door, Solution	1
2	75171	(003370–)	Gasket, Solution Door	1
3	75175	(003370–)	Bracket, Door Hinge	1
4	79392	(003370–)	Plate	1
5	75156	(003370–)	Basket, Soap	1
6	75096	(003370–)	Filter, Foam, Soap Basket	1
7	75098	(003370–)	Screen	1
8	75174	(003370–)	Bracket, Door Hinge	1
9	28165	(003370–004344)	Fastener, Nut	4
9	25663	(004345–004933)	Fastener, Nut	4
10	75081A	(003370–)	Tube, Rear Squeegee Suction	1
11	76426	(003370–)	Washer, Rubber, (Located Inside Tank)	6
12	75076	(003370–)	Gasket, Rear Suction Tube	1
13	43555	(003370–)	Clamp, Worm Drive	2
14	25649	(003370–)	Hose, Rear Squeegee Suction	1
▽	78819	(003370–004933)	Cover Assembly, Recovery Tank Cleanout	1
▲	15 25665	(003370–004344)	Replacement Kit, Thumbscrew	4
▲	15 25656	(004345–004933)	Fastener, Thumbscrew	4
▲	16 06224	(003370–003696)	Service Kit, Cleanout Door	1
▲	17 06228	(003697–004933)	Door, Cleanout	1
▲	18 26015	(003370–004933)	Fastener, Washer	4
▲	19 06227	(003697–004933)	Gasket, Door	1
	20 75815	(003370–)	Label, Stripe, R.H.	1
	21 50518	(003370–)	Flap, Rubber	1
	22 23498	(003370–)	Clamp, Worm Drive	1
	23 40678–1	(003370–)	Clamp, Cable	1
	24 36644	(004934–)	Nut, Locking	2
	25 61170	(004934–)	Rod, Door Latch	2
	26 61171	(004934–)	Stud, Door Latch	2
	27 82958	(004934–)	Knob, Door Latch	2
	28 61245	(004934–)	Door	1
	29 61174	(004934–)	Gasket, Door	1
	30 61175	(004934–)	Plate, Door	1
	31 41169	(004934–)	Nut, Stainless Steel	2
	32 61181	(004934–)	Pivot, Door Hinge	2

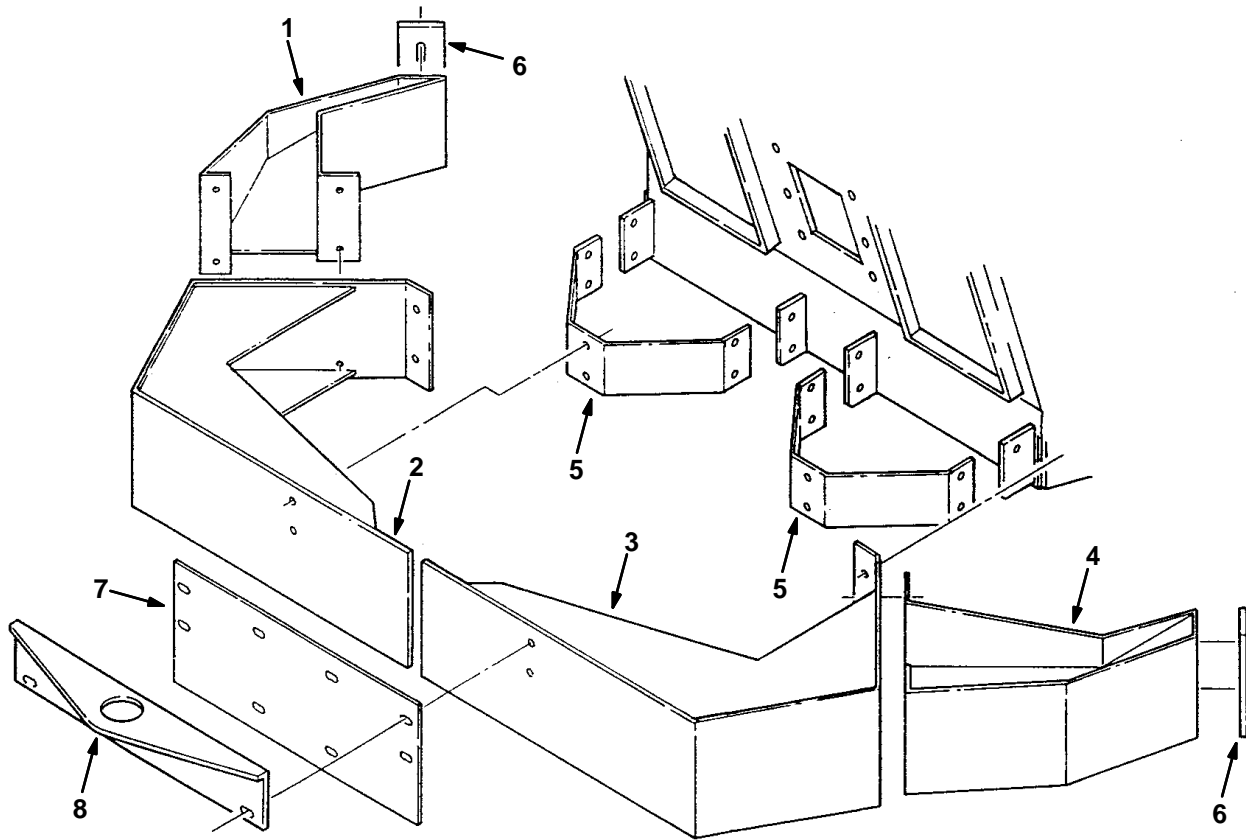
Fig. 63 – Rear Bumper Group



00309-550

Ref.	Tennant Part No.	Machine Serial Number	Description	Qty.
1	78673	(003370-004933)	Guard, L.H.	1
2	02579	(003370-004933)	Bumper, Rear, L.H.	1
3	02556	(003370-004933)	Bumper, Rear, R.H.	1
4	78670	(003370-004933)	Guard, R.H.	1
5	78059	(003370-004933)	Bracket, Mounting	2
6	75190	(003370-004933)	Guard, Squeegee	2

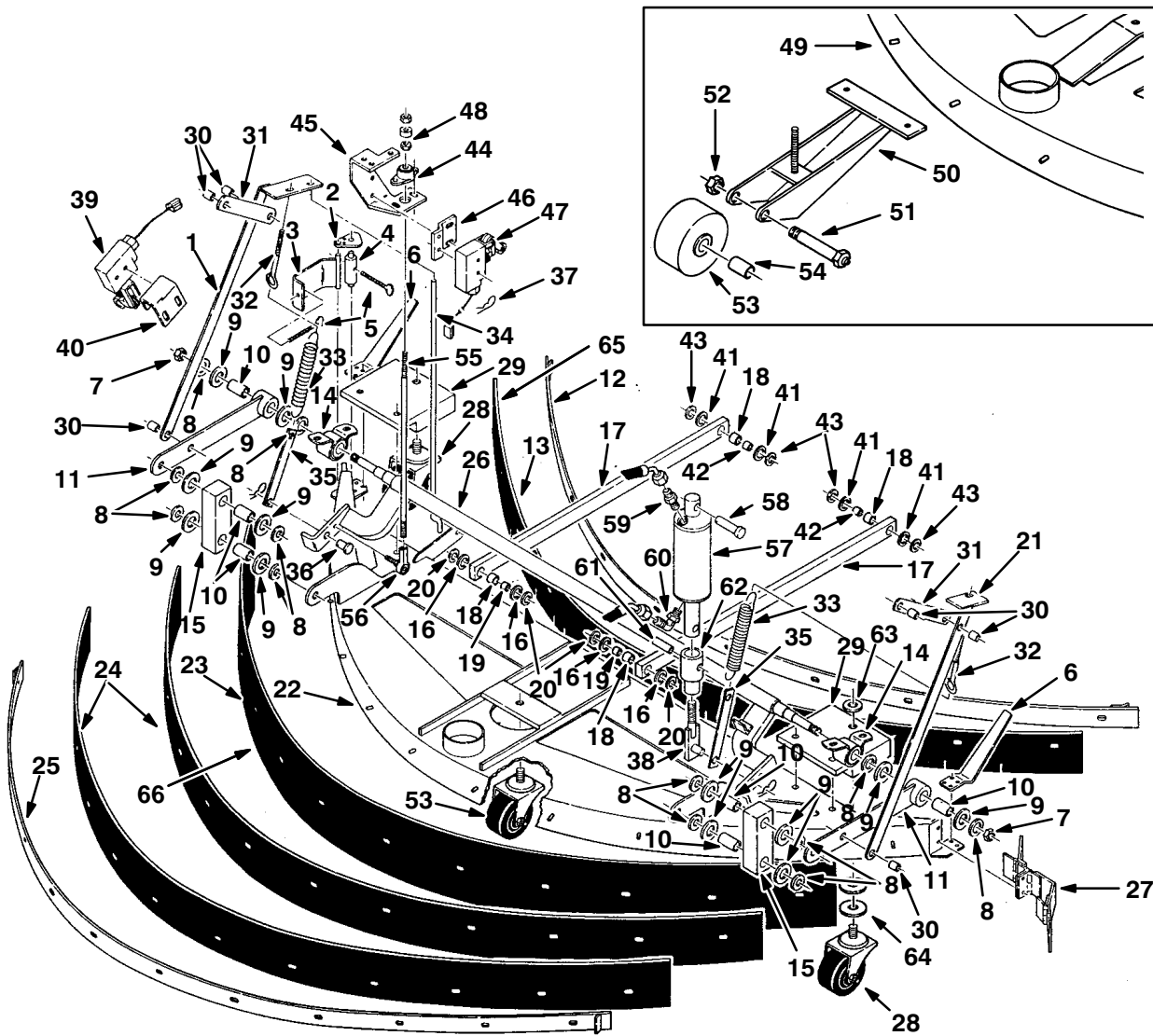
Fig. 64 – Rear Bumper Group



06844 – 550

Ref.	Tennant Part No.	Machine Serial Number	Description	Qty.
1	78673	(004934–)	Guard, L.H.	1
2	65899	(004934–)	Bumper Rear, L.H.	1
3	65898	(004934–)	Bumper Rear, R.H.	1
4	78670	(004934–)	Guard, R.H.	1
5	61261	(004934–)	Bracket, Mounting	2
6	75190	(004934–)	Guard, Squeegee	2
7	65897	(004934–)	Plate, Bumper	1
8	32117	(005101–)	Bracket, Tow Bypass	1

Fig. 65 – Rear Squeegee Assembly



09874 – 550, 550E

Ref.	Tennant Part No.	Machine Serial Number	Description	Qty.
▽	32415	(003370–) Rear Squeegee Assembly	1
▲	1 78096	(003370–) Arm, L.H.	1
▲	2 76922–1	(003370–) Plate, Pivot	1
▲	3 76921	(003370–) Adjuster, Rear	1
▲	4 76927	(003370–) Pivot, Adjuster	1
▲	5 78641	(003370–) Screw, Thumb	2
▲	6 59639A	(003370–) Guide, Spring	2
▲	7 32985	(003370–) Nut	2
▲	8 32493	(003370–) Washer, Flat	12
▲	9 76979	(003370–) Washer, Thrust	12
▲	10 76392	(003370–) Sleeve, Bearing	6
▲▽	11 76984–1	(003370–) Arm Assembly	2
▲▲	76978	(003370–) Bearing, Fiberglide	1
▲	12 76896	(003370–) Band, Front, Squeegee	1
▲	13 60018	(003370–) Blade, Front, Squeegee	1
▲	14 16928	(003370–) Bearing, Pillow Block	2

Fig. 65 – Rear Squeegee Assembly

Ref.	Tennant Part No.	Machine Serial Number	Description	Qty.
▲▲	15	76974-1	(003370-) Arm Assembly, Vertical Block	2
▲▲		76978	(003370-) Bearing, Fiberglide	1
▲	16	59633	(003370-) Washer, Fiberglide	4
▲▽	17	33510	(003370-) Link, Rear Drag	2
▲▲	18	59634	(003370-) Sleeve, Bearing	2
▲	19	59632	(003370-) Sleeve	2
▲	20	01686	(003370-) Washer	4
▲	21	76988	(003370-) Arm, R.H.	1
▲	22	09689	(003415-003873) Frame Kit, Squeegee	1
▲	22	10150	(003874-) Frame, Rear	1
▲	23	60016	(003370-) Blade, Rear, Squeegee	1
▲	24	76937	(003370-) Strip, Rear, Backup	2
▲	25	76946	(003370-) Band, Rear, Squeegee	1
▲	26	33749	(003370-) Shaft, Squeegee Lift	1
▲	27	78642	(003370-) Clamp, Squeegee Band	1
▲	28	02530	(003370-003414) Caster Kit	1
▲	28	10154	(003415-003873) Caster	2
▲	28	10160	(003415-003873) Caster Kit	1
▲	28	370133	(003874-) Caster	2
▲	29	10160	(003415-003873) Mount Kit, Caster	1
▲	29	10149	(003874-) Mount, Caster	2
▲	30	76390	(003370-) Sleeve	6
▲	31	76391	(003370-) Link	2
	32	76353	(003370-) Bolt, Eye	2
	33	47745	(003370-) Spring	2
	34	78093	(003370-) Rod	1
		20021	(003370-) Pin, Roll	1
	35	78695	(003370-) Strip, Spring	2
	36	51530	(003370-) Pin, Clevis	1
	37	08175	(003370-) Pin, Cotter	4
	38	48884	(003370-) Adaptor, Cylinder	1
	39	76340	(003370-) Switch, Roller	1
	40	76269	(003370-) Bracket, Switch Mounting	1
	41	59633	(003370-) Washer, Fiberglide	4
	42	59632	(003370-) Sleeve	2
	43	32492	(003370-) Washer	4
	44	33743	(003370-) Bearing, Flange	1
	45	33744	(003370-) Bracket, Mounting	1
	46	33745	(003370-) Bracket, Switch	1
	47	33748	(003370-) Switch	1
	48	33747	(003370-) Barrel, Trip	1
	49	09689	(003370-003414) Frame, Rear Squeegee	1
	50	78795	(003370-003414) Bracket, Caster	1
▽	51	76943	(003370-003414) Stud, Caster	1
▲	52	32985	(003370-003414) Nut	1
	53	20833	(003370-003414) Caster	1
	53	10154	(003415-003873) Caster	1
	53	10160	(003415-003873) Caster Kit	1
	53	370133	(003874-) Caster	1
	54	75050	(003370-003414) Bushing, Spanner	1
	55	33746	(003370-) Rod, Trip	1

Fig. 65 – Rear Squeegee Assembly

Ref.	Tennant Part No.	Machine Serial Number	Description	Qty.
56	36466	(003370–)	Ball Joint	1
57	31554	(003370–003879)	Cylinder, Hydraulic	1
57	09624	(003880–)	Cylinder, Hydraulic	1
58	51534	(003370–)	Pin, Clevis	1
59	55586	(003370–)	Fitting, Straight	1
60	77097	(003370–)	Fitting, Elbow	1
61	54041	(003370–)	Pin, Roll	1
62	76997	(003370–003879)	Adapter, Cylinder Rod	1
62	09626	(003880–)	Adapter, Cylinder Rod	1
63	36328	(003370–)	Washer, Belleville	3
64	51564	(003370–)	Washer	5
65	78560	(001330–)	Blade, Front, Squeegee, Urethane	1
66	78561	(001330–)	Blade, Rear, Squeegee, Urethane	1

SECTION 7

CONTENTS	PAGE
Fig. 1 – Fuel Tank Group, LPG	7-2
Fig. 2 – Engine Cover Group, LPG	7-4
Fig. 3 – Air Cleaner Group, LPG	7-5
Fig. 4 – Vacuum Fan Group, LPG	7-6

Fig. 1 – Fuel Tank Group, LPG

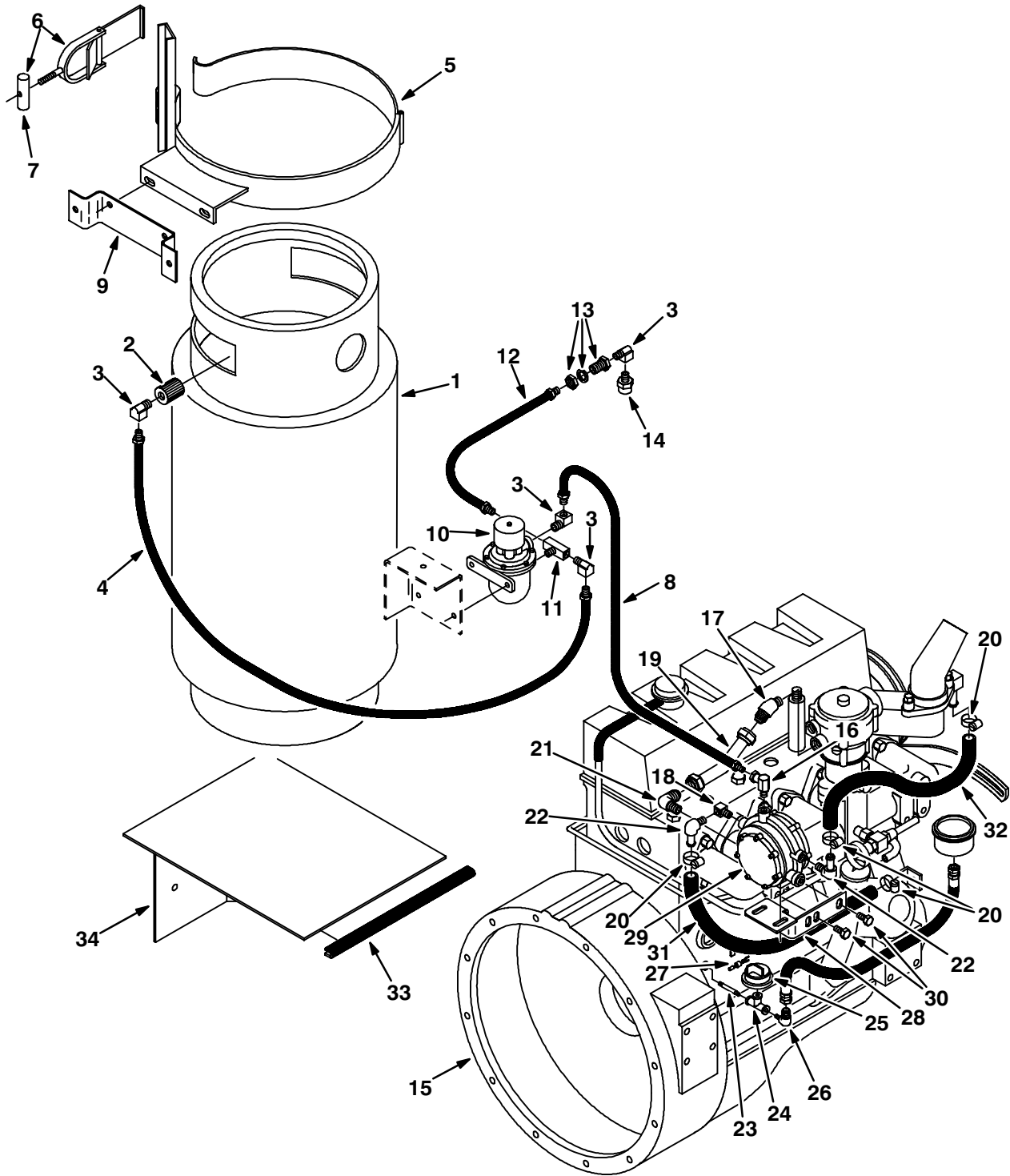
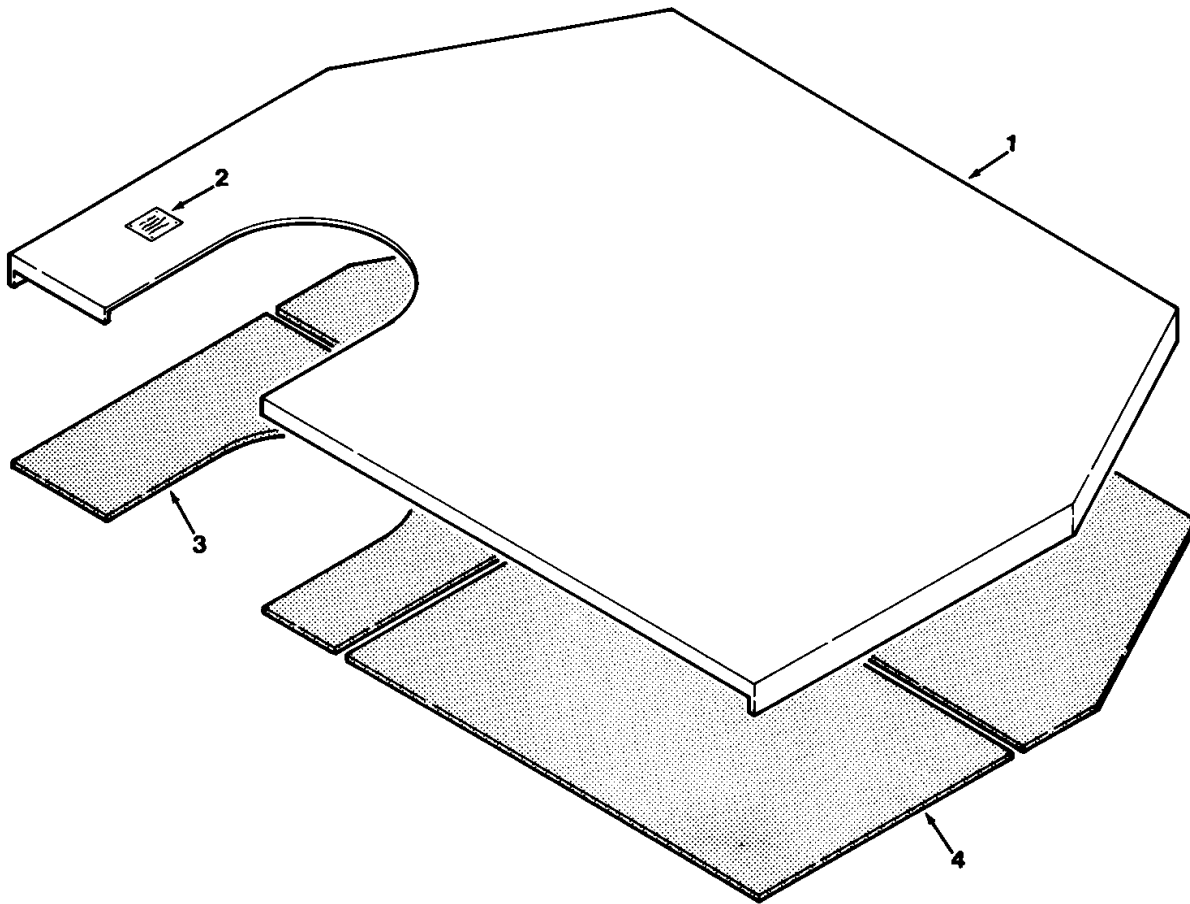


Fig. 1 – Fuel Tank Group, LPG

Ref.	Tenant Part No.	Machine Serial Number	Description	Qty.	
1	24928-1	(003370-) Tank, LPG, with Filler Gauge	1	
2	26496	(003370-) Coupling, LPG Tank	1	
3	27048	(003370-) Fitting, Elbow	4	
4	10754	(003370-) Hose, LPG	1	
5	78092	(003370-) Bracket, LPG Tank	1	
▽	6	53400-1	(003370-) Latch Assembly, LPG Tank	1
▲	7	53400-4	(003370-) Nut, Adjustable	1
	8	10756	(003370-) Hose, LPG	1
	9	78085	(003370-) Mount, Strap	1
▽	10	53395-2	(003370-) Fuel Filter Lock	1
▲	SK1444	(003370-) Repair Kit, Fuel Filter Lock	1	
	11	53268	(003370-) Fitting, Tee	1
	12	22308-1	(003370-) Hose, LPG	1
	13	78122	(003370-) Fitting, Bulkhead	1
	14	24047	(003370-) Valve, Pressure Relief	1
	15	78081A	(003370-003933)	Engine, F163 (Replaced by 60539) See F163 Engine Parts, Gasoline, LPG)	1
	15	16870	(003934-004248)	Engine, TM27, (Replaced by 31936) (See TM27 Engine Parts, Gasoline, LPG)	1
	15	31936	(004249-004719)	Engine, TM27, (Replaced by 61695) (See TM27 Engine Parts, Gasoline, LPG)	1
	15	61695	(004720-) Engine, TM27, (See TM27 Engine Parts, Gasoline, LPG)	1
	16	11442-1	(003370-) Fitting, Elbow	1
	17	46485	(003934-) Fitting, Elbow, 45°	1
	18	24584	(003934-) Fitting, Elbow	1
	19	34880	(003934-) Tube, Hydraulic	1
	20	54333	(003934-) Clamp, Worm Drive	4
	21	46611	(003934-) Fitting, Elbow	1
	22	47388	(003934-) Fitting, Elbow	2
	23	48144	(003934-) Fitting, Nipple	1
	24	22309	(003370-) Fitting, Tee	1
	25	51805	(003370-) Switch, Oil Pressure	1
	26	06507	(003370-) Fitting, Elbow	1
	27	50565	(003370-) Diode Assembly, LPG	1
	28	34881	(003934-) Bracket, Mount	1
▽	29	374648	(003934-) Vaporizer, LPG	1
▲		374649	(003934-) Repair Kit, Vaporizer	1
▲		374532	(003934-) Hi Alt Vaporizer Spring	1
	30	16735	(003934-) Screw, Hex, M8	2
	31	47826	(003934-) Hose, Rubber	1
	32	54027	(003934-) Hose, Rubber	1
	33	62595-4	(003370-) Molding, Rigid	1
	34	78088	(003370-) Support, LPG Tank	1

Fig. 2 – Engine Cover Group, LPG

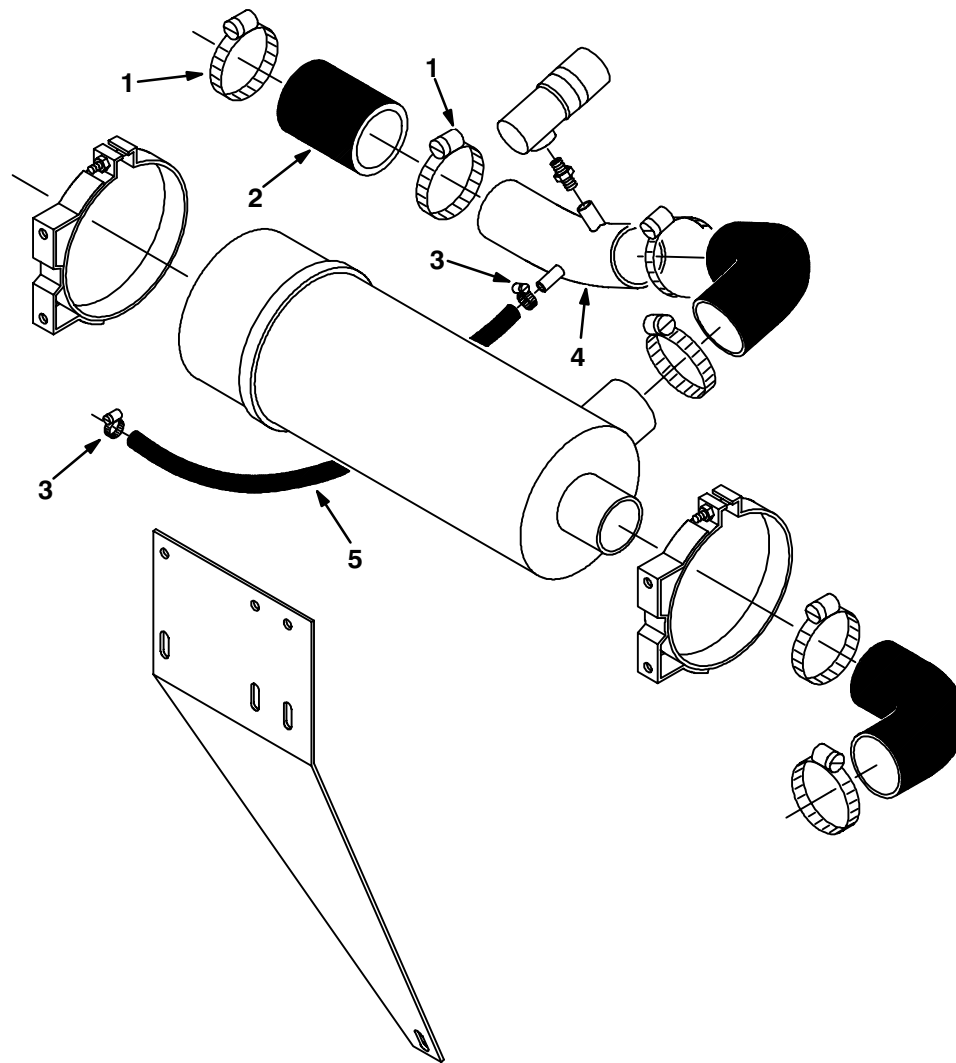


01733 – 550, 1550, LP

	Ref.	Tenant Part No.	Machine Serial Number	Description	Qty.
▽	1	78017	(003370–)	Door, Engine Cover	1
▲	2	58067	(003370–)	Data Plate, LPG	1
	3	78013	(003370–)	Insulation, Tank Opening	1
	4	78014	(003370–)	Insulation, Engine Cover	1

NOTE: To identify parts shown but not listed here, see Section 6, Standard Parts.

Fig. 3 – Air Cleaner Group, LPG

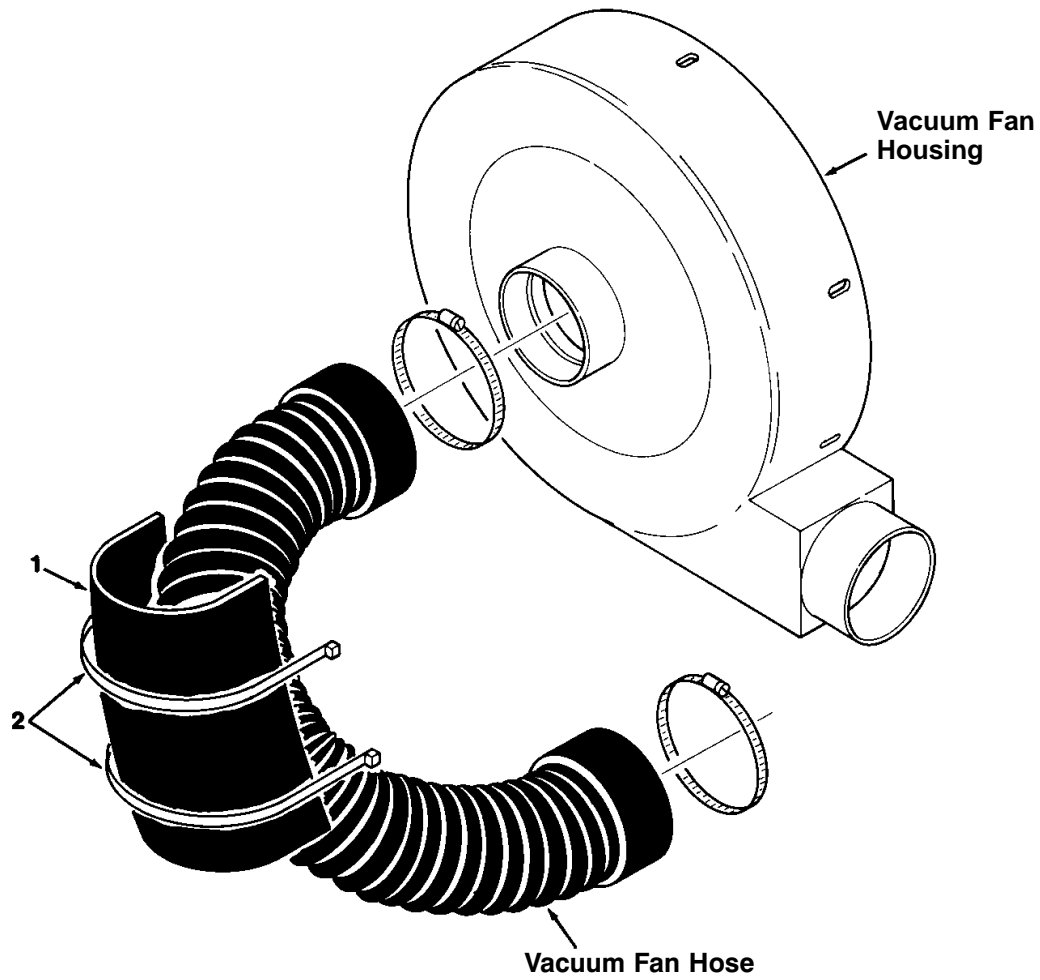


00108 – 550, LP

Ref.	Tennant Part No.	Machine Serial Number	Description	Qty.
1	43555	(003934–)	Clamp, Worm Drive	2
2	15543-2	(003370–)	Coupling, Air Cleaner Tube	1
3	54333	(003370–)	Clamp, Worm Drive	2
4	10488	(003934–)	Tube, Air Cleaner	1
5	47826	(003370–003933)	Hose, Rubber	1
5	76589-2	(003934–)	Hose, Rubber	1

NOTE: To identify parts shown but not listed here, see Section 6, Standard Parts.

Fig. 4 – Vacuum Fan Group, LPG



00808 – 550, LP

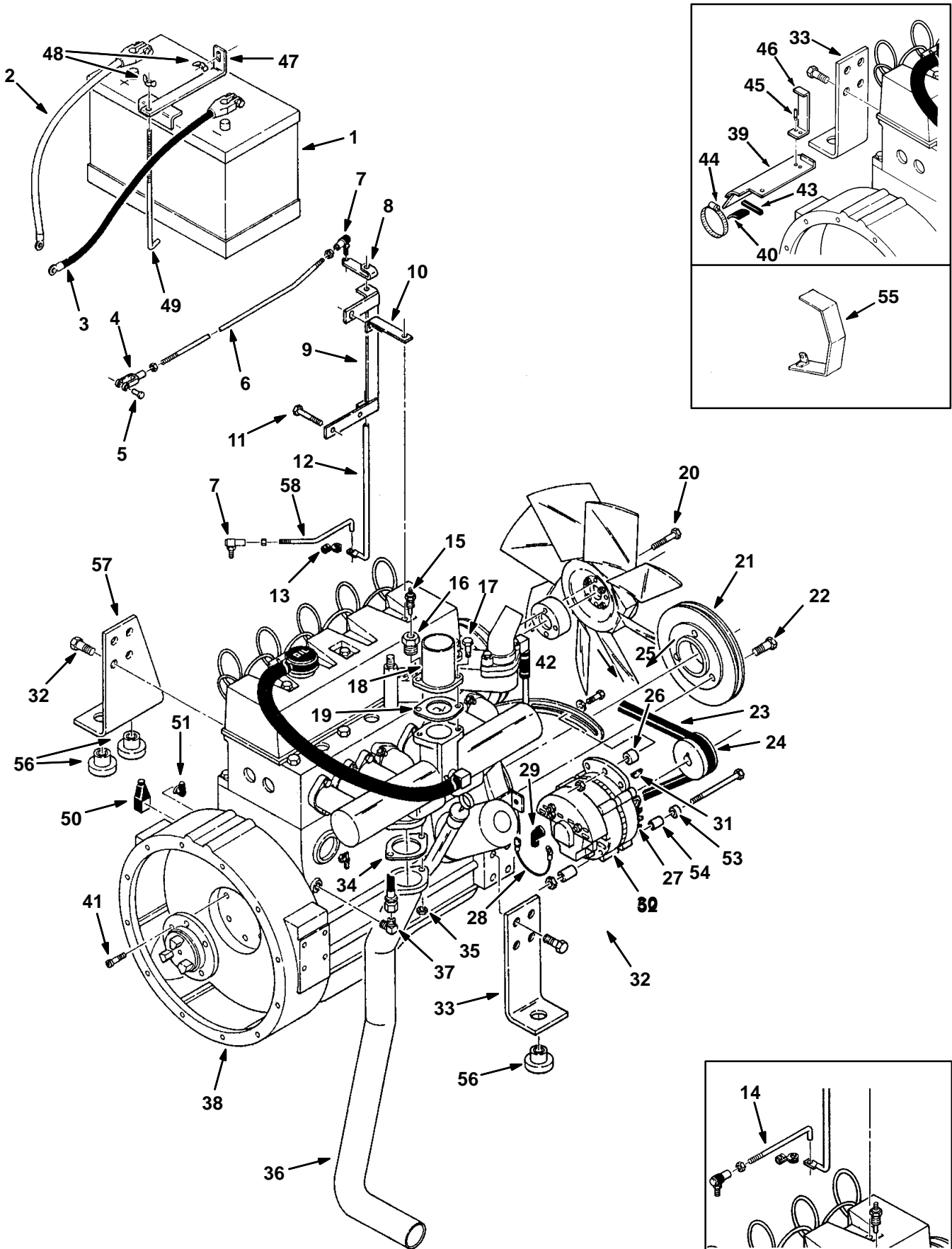
Ref.	Tenant Part No.	Machine Serial Number	Description	Qty.
1	75375	(003370–004152)	Wrap, Hose	1
2	44961	(003370–004152)	Tie, Cable	2

NOTE: To identify parts shown but not listed here, see Section 6, Standard Parts.

SECTION 8

CONTENTS	PAGE
Fig. 1 – Engine Group, Diesel	8-2
Fig. 2 – Glow Plug Control Group, Diesel	8-5
Fig. 3 – Fuel Tank Group, Diesel	8-6
Fig. 4 – Radiator Group, Diesel	8-7
Fig. 5 – Air Cleaner Group, Diesel	8-8

Fig. 1 – Engine Group, Diesel



NOTE: To identify parts shown but not listed here, see Section 6, Standard Parts.

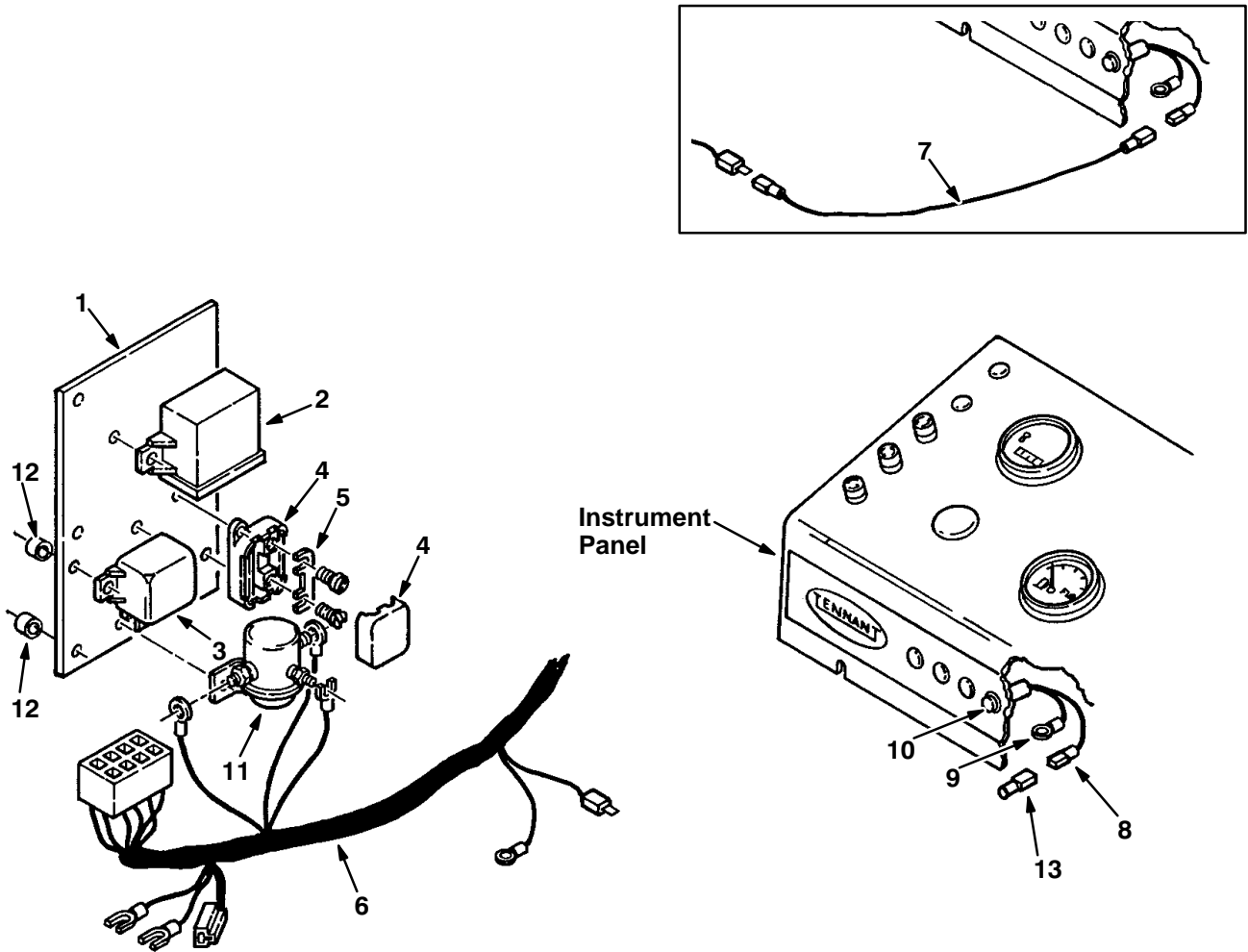
Fig. 1 – Engine Group, Diesel

Ref.	Tennant Part No.	Machine Serial Number	Description	Qty.	
1	10136	(003370–)	Battery, 625 CCA	1	
2	68869	(003370–)	Cable, Positive Battery	1	
3	68870	(003370–)	Cable, Negative Battery	1	
4	14595–1	(003370–)	Clevis, Adjustable	1	
5	14605	(003370–)	Pin, Clevis	1	
6	16551	(003370–)	Rod, Throttle	1	
7	14601	(003370–)	Ball Joint	2	
8	15785	(003370–)	Arm	1	
9	16556	(003370–)	Bracket, Throttle	1	
10	16557	(003370–)	Angle, Mounting Bracket	1	
11	16931	(003370–)	Screw, Hex, M8	2	
12	16552	(003370–)	Rod, Vertical Throttle	1	
13	15806	(003370–)	Clip, Rod End	1	
14	16550	(003370–005001)	Rod, Throttle	1	
15	78005–2	(003370–)	Sending Unit, Temperature	1	
16	78170	(003370–)	Fitting, Straight	1	
17	39277	(003370–)	Screw, Hex, M8	2	
18	16499	(003370–)	Tube, Air Intake	1	
19	34954	(003370–)	Gasket, Intake	1	
20	39279	(003370–)	Screw, Hex, M8	4	
21	16495	(003370–004437)	Sheave	1	
21	25650	(004438–)	Sheave	1	
22	16930	(003370–004437)	Screw, Hex, M10	3	
22	39284	(004438–)	Screw, Hex, M10	3	
23	34194	(003370–)	V–Belt	1	
24	34904	(003370–003882)	Pulley, Alternator	1	
24	34833	(003883–)	Pulley, Alternator	1	
25	41342	(003370–)	Screw, Hex, M8	1	
26	34867	(003370–003882)	Sleeve	1	
26	08892	(003883–)	Sleeve	1	
27	42170–36	(003370–003882)	Fan, Alternator	1	
28	39703–6	(003370–003882)	Harness, Rectifier	1	
28	08889	(003883– xxxxxx)	Wire, Jumper	1	
29	34065	(003370–)	Boot	1	
▽	30	08893	(003370–003882)	Replacement Kit, Alternator	1
▲	30	03233	(003883–)	Alternator	1
▲		61515	(003883–)	Diode and Rectifier Assembly	1
▲		61516	(003883–)	Brush Assembly	2
▲		01844	(003883–)	Bearing, Ball	1
▲		61517	(003883–)	Regulator, Voltage	1
▲	31	00500–5	(003883–)	Key, Woodruff	1
	32	41348	(003370–)	Screw, Hex, M14	8
	33	16490	(003370–)	Bracket, Engine Mounting	1
	34	34908	(003370–)	Gasket, Tail Pipe	1
	35	39312	(003370–)	Nut, M10	2
	36	16496	(003370–)	Pipe, Exhaust	1
	37	06507	(003370–)	Fitting, Elbow	1
	38	34910	(003370–003618)	Engine, (Replaced by 16850) (See Engine Parts Diesel)	1
	38	16850	(003619–004191)	Engine, (Replaced by 31937) (See Engine Parts Diesel)	1
	38	31937	(004192–004746)	Engine, (Replaced by 61697) (See Engine Parts Diesel)	1

Fig. 1 – Engine Group, Diesel

Ref.	Tennant Part No.	Machine Serial Number	Description	Qty.
38	61697	(004747–005001)	Engine, (Replaced by 65951) (See Engine Parts Diesel)	1
38	65951	(005002–)	Engine, Diesel, TM27, (See 65951 Engine Parts Diesel)	1
▽ 39	16769	(003370–003618)	Shield, Starter	1
▲ 40	29662	(003370–003618)	Pad, Rubber	1
41	41358	(003370–)	Screw, Socket, Metric	6
42	41187	(003370–)	Washer, Belleville	1
43	62595–18	(003370–003618)	Molding, Rigid	1
44	14432	(003370–003618)	Clamp, Worm Drive	1
45	34738	(003370–003618)	Rivet, Steel	2
46	16683	(003370–003618)	Bracket, Wire	1
47	16936	(003370–)	Bracket, Battery	1
48	39272	(003370–)	Nut, Wing	2
49	13015–1	(003370–)	Bolt, Hold Down	2
50	68872	(003619–)	Boot, Battery	1
51	02076	(003619–)	Cover, Terminal	1
52	16932	(003370–003882)	Sleeve	1
52	08891	(003883–)	Sleeve	1
53	36417	(003883–)	Sleeve	1
54	57311	(003883–)	Bushing	1
55	08890	(003883– xxxxxx)	Guard, Alternator	1
	32814	(003370–)	Label, Throttle and Solution Control	1
	16933	(004255–)	Wire Assembly, No. 46	1
	50456	(004255–)	Terminal, Quick–Disconnect	1
56	51176	(003370–)	Dampner, Engine	5
57	65894	(003370)	Mount, Engine, R.H.	1
58	65967	(005002–)	Rod, Throttle	1

Fig. 2 – Glow Plug Control Group, Diesel

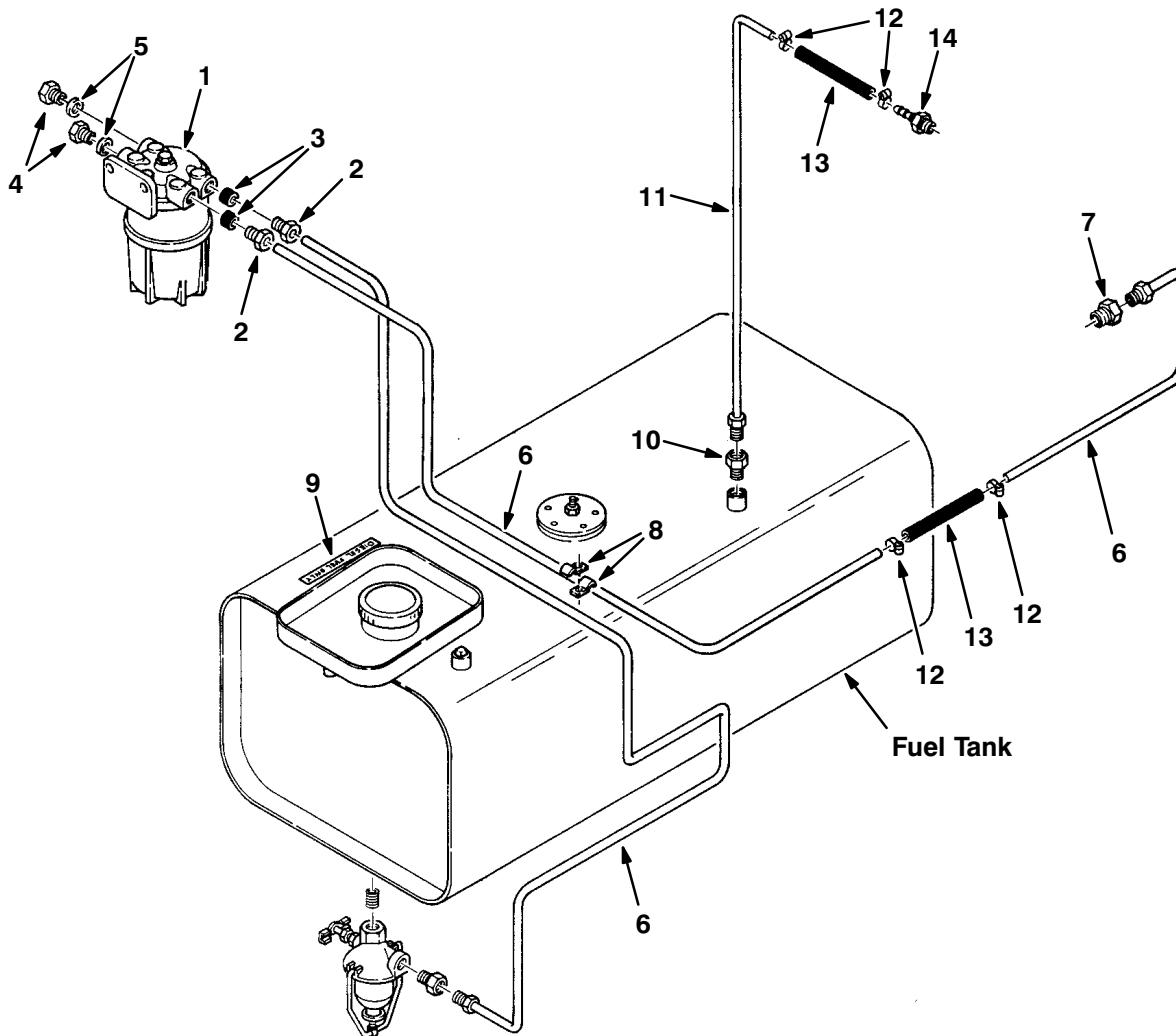


02381 – 550, D

Ref.	Tennant Part No.	Machine Serial Number	Description	Qty.
1	34841	(003370–) Plate	1
▽	34866	(003370–) Control Unit Kit	1
▲	2 34801	(003370–) Control Unit, Glow Plug	1
▲	3 34804	(003370–) Relay, Power	1
▲	4 34802	(003370–) Holder, Fuse	1
▲	5 34803	(003370–) Fuse, 80 A	1
6	34861	(003370–003618) Control Harness	1
6	16848	(003619–) Control Harness	1
7	16929	(003370–004254) Wire Assembly, Replaced by none	1
8	45223	(003370–) Terminal	1
9	68101	(003370–) Terminal, Ring	1
10	68222	(003370–) Light, Pilot	1
11	47356	(003619–) Terminal, Starter	1
12	53051A	(003370–) Spacer	2
13	45224	(004255–) Terminal, Quick-Disconnect	1

NOTE: To identify parts shown but not listed here, see Section 6, Standard Parts.

Fig. 3 – Fuel Tank Group, Diesel

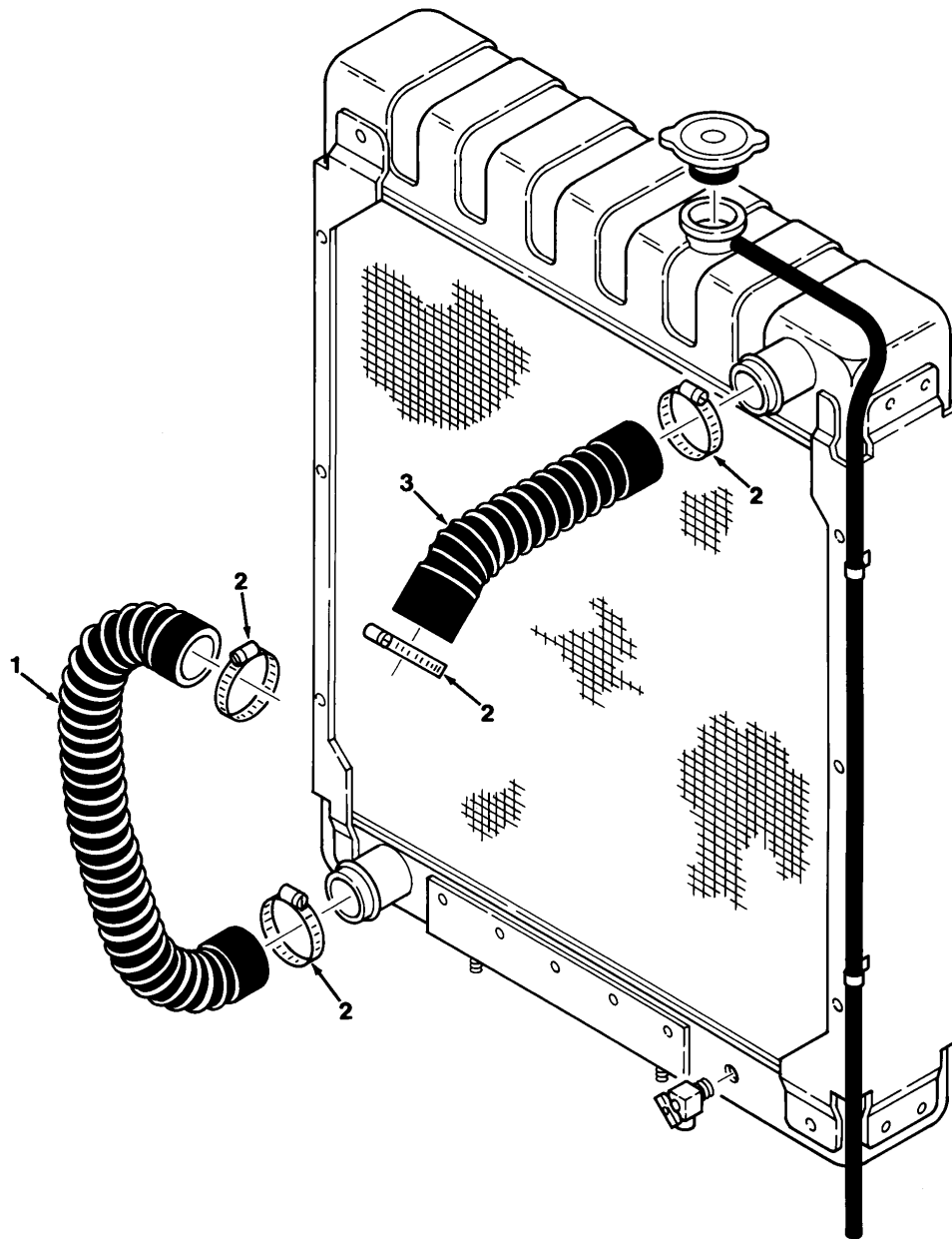


09877 – 550, 1550, D

Ref.	Tennant Part No.	Machine Serial Number	Description	Qty.
1	52770-8	(003370-)	Watertrap, Fuel	1
2	32587	(003370-)	Nut, Water Trap	2
3	32590	(003370-)	Olive, Rubber	2
4	32436	(003370-)	Plug, Sealing	2
5	32435	(003370-)	Washer, Sealing	2
6	16562	(003370-)	Tube Assembly	2
7	16713	(003370-)	Fitting, Straight	1
8	46236	(003370-)	Clamp, Cable	2
9	45850	(003370-)	Decal, Diesel Fuel Only	1
10	16564	(003370-)	Fitting, Connector	1
11	16563	(003370-)	Tube Assembly	1
12	43844	(003370-)	Clamp, Worm Drive	4
13	32808	(003370-)	Hose, Fuel Line	2
14	61686	(003370-)	Fitting, Straight	1

NOTE: To identify parts shown but not listed here, see Section 6, Standard Parts, or Section 14, Diesel Engine Parts.

Fig. 4 – Radiator Group, Diesel

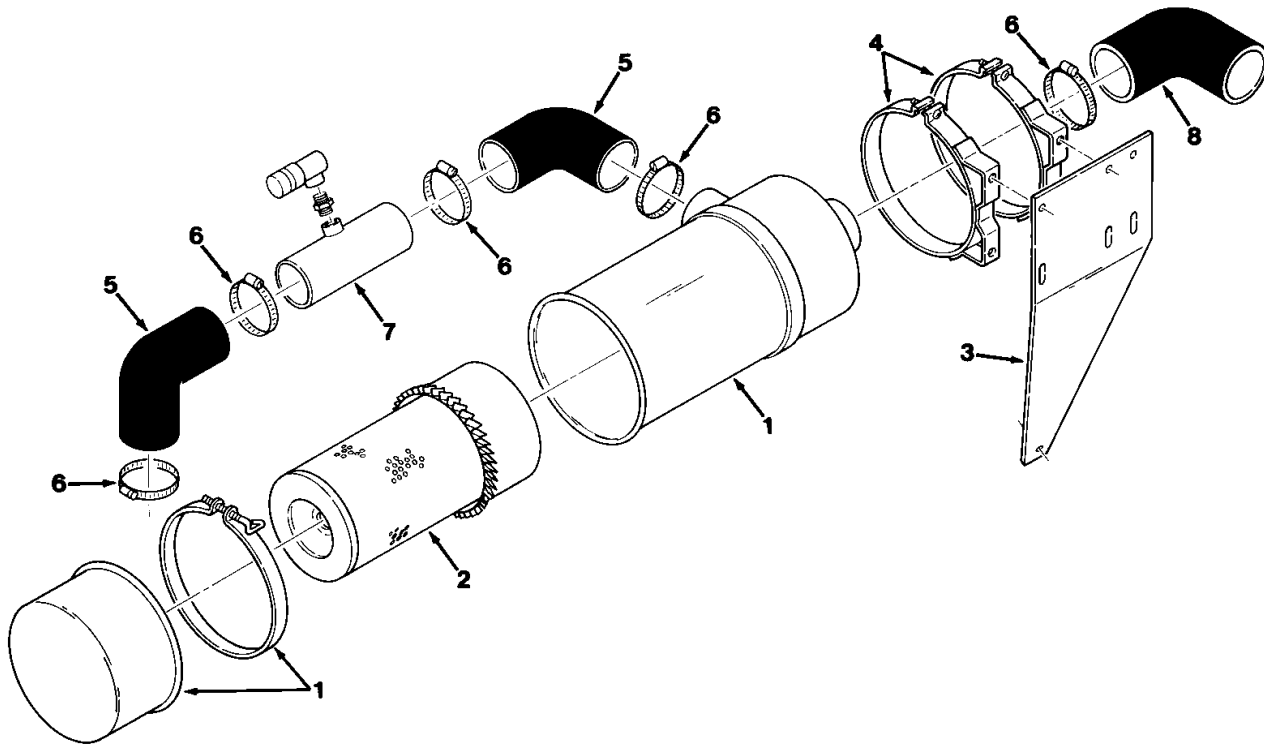


02380 – 550, 1550, D

Ref.	Tennant Part No.	Machine Serial Number	Description	Qty.
1	25179	(003370–)	Hose, Radiator	1
2	11531	(003370–)	Clamp, Worm Drive	4
3	16820	(003370–)	Hose, Radiator	1

NOTE: To identify parts shown but not listed here, see Section 6, Standard Parts.

Fig. 5 – Air Cleaner Group, Diesel



09880 – 550, 1550, D

Ref.	Tennant Part No.	Machine Serial Number	Description	Qty.
▽ 1	76319	(003370–)	Air Cleaner	1
▲ 2	76335	(003370–)	Element, Air Cleaner	1
3	76332	(003370–)	Brace, Rear Panel	1
4	76321	(003370–)	Band, Air Cleaner	2
5	52580–2	(003370–)	Elbow, 90°	2
6	14432	(003370–)	Clamp, Worm Drive	5
7	16498	(003370–)	Tube, Air Cleaner	1
8	16497	(003370–)	Elbow	1

NOTE: To identify parts shown but not listed here, see Section 6, Standard Parts.

SECTION 9

CONTENTS	PAGE
Fig. 1 – Solution Supply and Control Group, SRS®	9-2
Fig. 2 – Solution Pumps Group, SRS®	9-4
Fig. 3 – Solution Control Group, SRS®	9-6
Fig. 4 – Wire Harnesses, SRS®	9-8
Fig. 5 – Control Panel Assembly, SRS®	9-9
Fig. 6 – Front Side of Solution Tank Group, SRS®	9-10
Fig. 7 – Front Side of Solution Tank Group, SRS®	9-12
Fig. 8 – Rear Side of Solution Tank Group, SRS®	9-14
Fig. 9 – Rear Side of Solution Tank Group, SRS®	9-16

Fig. 1 – Solution Supply and Control Group, SRS®

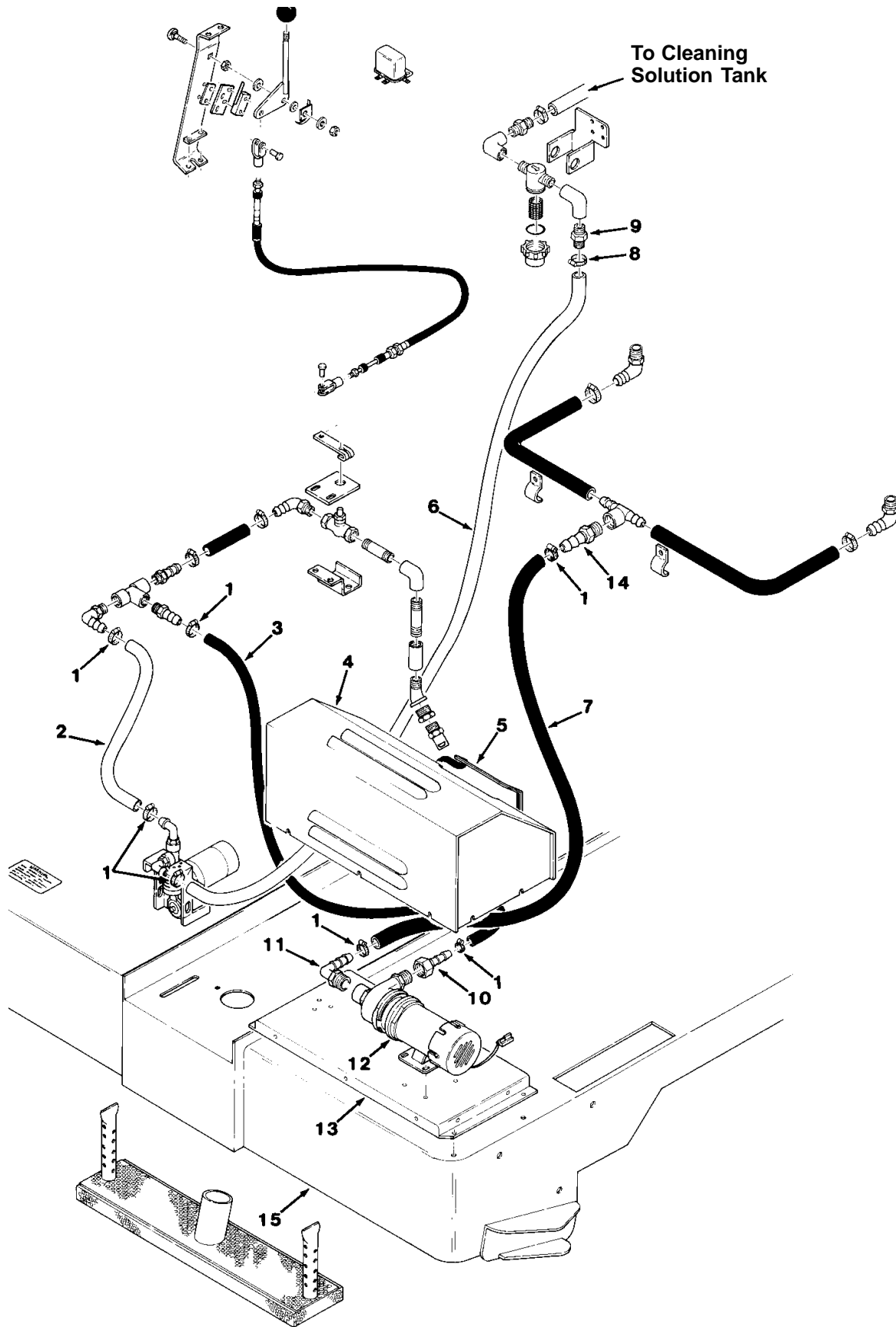


Fig. 1 – Solution Supply and Control Group, SRS®

Ref.	Tenant Part No.	Machine Serial Number	Description	Qty.
1	11399	(003370–003466)	Clamp, Worm Drive	7
2	63182–2	(003370–003466)	Hose, Vinyl	1
3	47848	(003370–003466)	Hose, Rubber	1
4	31254	(003370–003466)	Cover, Pump	1
5	62595–5	(003370–003466)	Molding, Rigid	1
6	63182–1	(003370–003466)	Hose, Vinyl	1
7	76411	(003370–003466)	Hose, Solution	1
8	54333	(003370–003466)	Clamp, Worm Drive	1
9	79273	(003370–003466)	Fitting, Straight	1
10	76408	(003370–003466)	Adaptor	1
11	18594	(003370–003466)	Fitting, Elbow	1
12	57444	(003370–003466)	Replacement Kit, Water Pump	1
13	76414	(003370–003466)	Plate, Mounting	1
14	57379	(003370–003466)	Fitting, Straight	1
15	75501A–1	(003370–003466)	Frame, Scrub Head, SRS®	1

Fig. 2 – Solution Pumps Group, SRS®

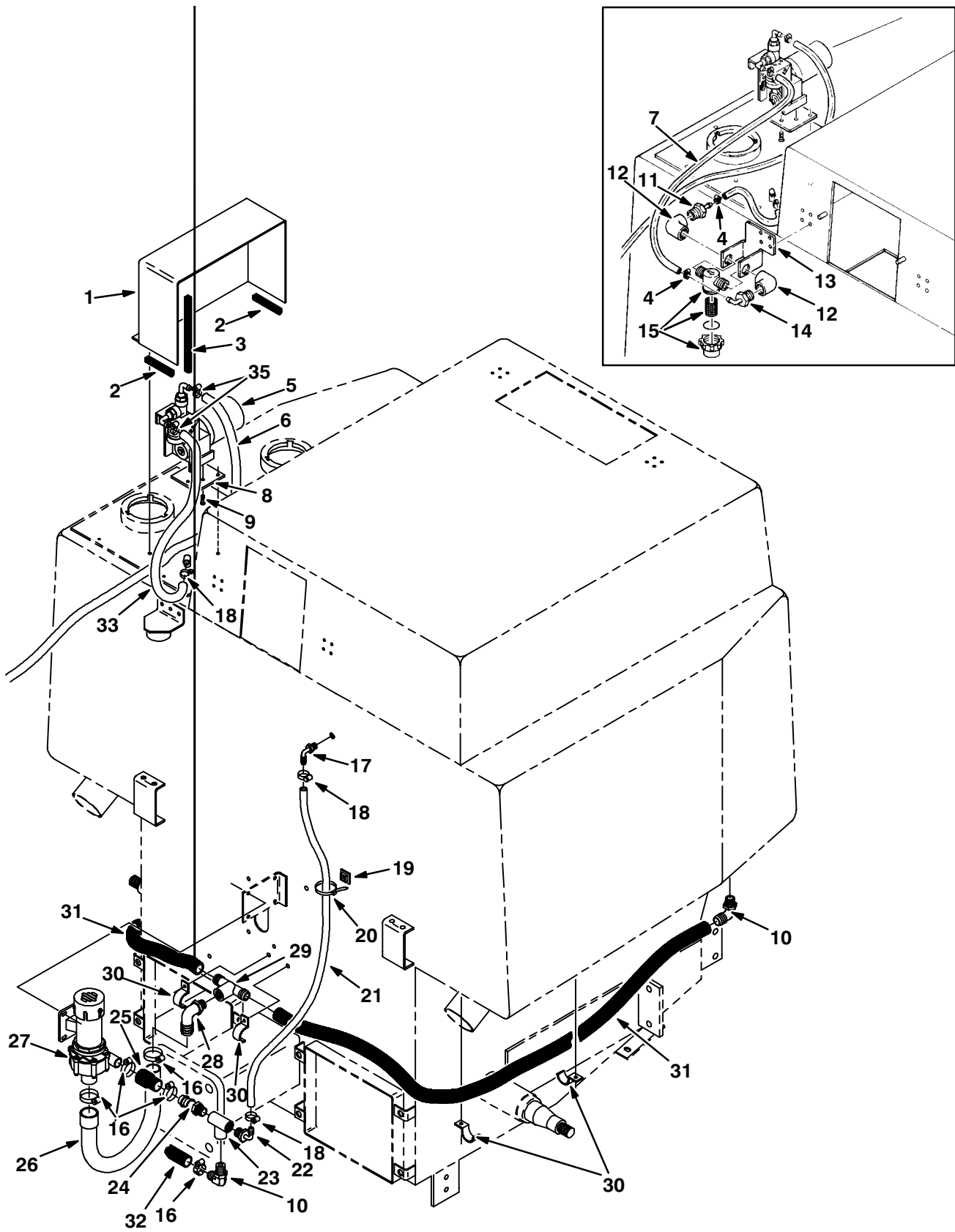


Fig. 2 – Solution Pumps Group, SRS®

Ref.	Tenant Part No.	Machine Serial Number	Description	Qty.
1	03393	(003467–)	Cover, Pump	1
2	62595–18	(003467–)	Molding, Rigid	2
3	62595–6	(003467–)	Molding, Rigid	1
4	11399	(003467–003789)	Clamp, Worm Drive	2
5	16485	(003467–)	Pump, Metering (See Breakdowns)	1
6	63182–1	(003467–)	Hose, Vinyl	1
7	63182–4	(003467–003789)	Hose, Vinyl	1
8	02597	(003467–)	Plate, Pump Mounting	1
9	03391	(003467–)	Screw, Flat	3
10	75604	(003370–)	Fitting, Elbow	3
11	79273	(003370–003789)	Fitting, Straight	1
12	79572	(003370–003789)	Fitting, Elbow	2
13	79571	(003370–003789)	Bracket, Filter Mount	1
14	03394	(003467–003789)	Fitting, Elbow	1
15	08877	(003370–003789)	Filter, Replacement Kit	1
16	11399	(003467–)	Clamp, Worm Drive	7
17	03401	(003467–)	Fitting, Elbow	1
18	54333	(003467–)	Clamp, Worm Drive	3
19	55248	(003467–)	Mount, Cable Tie	2
20	49263	(003467–)	Tie, Cable	4
21	68301	(003467–)	Hose, Vinyl	1
22	79484	(003467–)	Fitting, Elbow	1
23	42133A	(003467–)	Fitting, Tee	1
24	57379	(003467–)	Fitting, Straight	1
25	57377	(003467–)	Hose, Pump Outlet	1
26	57378	(003467–)	Hose, Pump Inlet	1
27	03838	(003370-003467)	Pump, Water (Replaced by 48787) (See Breakdowns)	1
27	33327	(003468-)	Pump, Solution (See Breakdowns)	1
28	18595	(003467–)	Fitting, Elbow	1
29	02446	(003370–)	Fitting, Tee	1
30	44031	(003370–)	Clamp	6
31	47846–3	(003370–)	Hose, Rubber	2
32	47846	(003467–)	Hose, Rubber	1
33	79580	(003370–)	Hose, Vinyl	1

Fig. 3 – Solution Control Group, SRS®

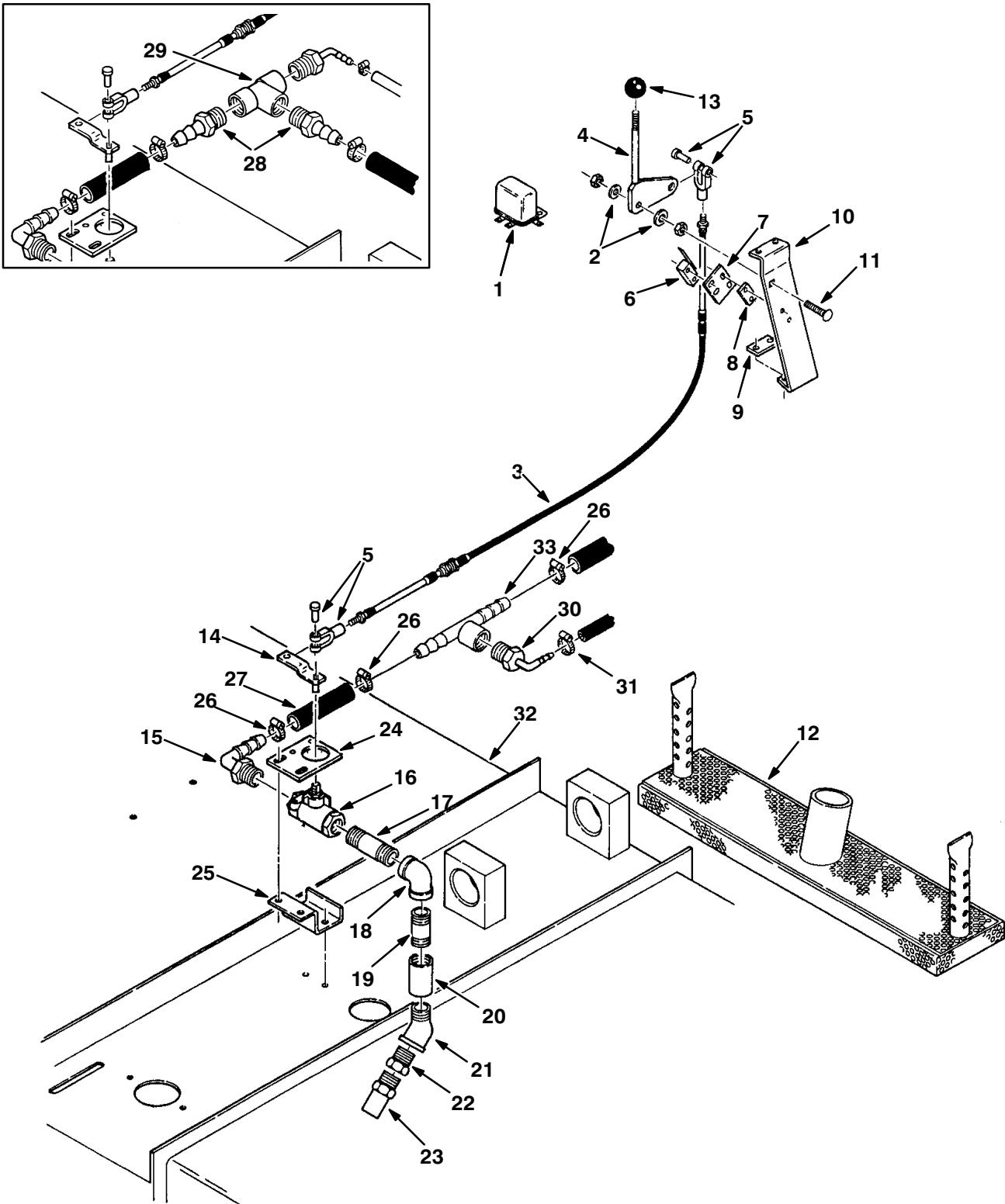
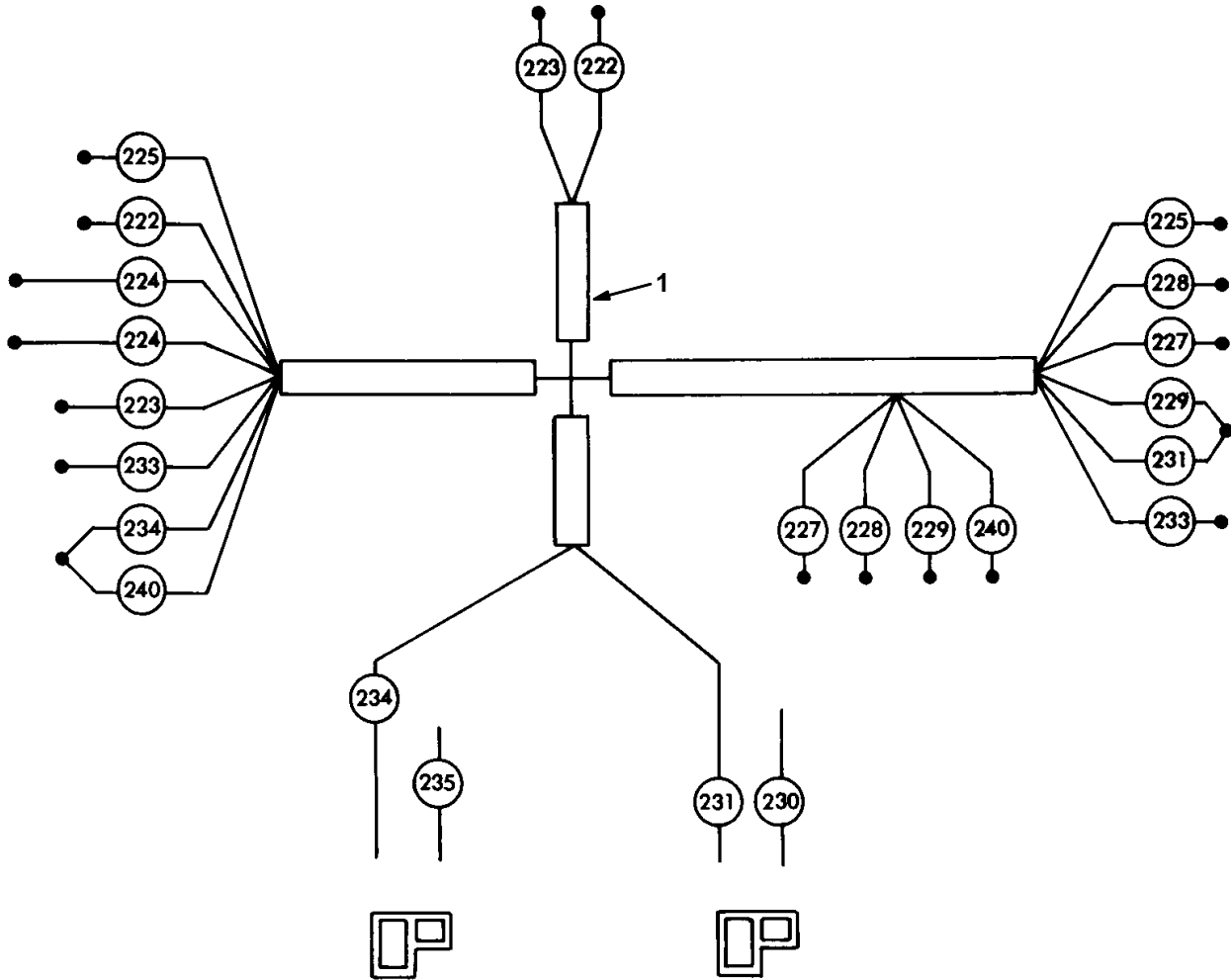


Fig. 3 – Solution Control Group, SRS®

Ref.	Tenant Part No.	Machine Serial Number	Description	Qty.
1	44542	(003370–004254)	Relay	1
1	10865	(004255–)	Relay	1
▽	02819	(003370–)	Lever Assembly, Solution Control	1
▲	3 75314	(003370–)	Cable, Control	1
▲	2 52296	(003370–)	Washer, Nylon	2
▲	4 08791	(003370–)	Bellcrank	1
▲	5 41063	(003370–)	Clevis and Pin	2
▲	6 44847	(003370–)	Switch	1
▲	7 02817	(003370–)	Bracket, Switch	1
▲	8 02818	(003370–)	Spacer, Switch	1
▲	9 23515	(003370–)	Strip	1
▲	10 75319	(003370–)	Bar, Mounting	1
▲	11 56903	(003370–)	Bolt, Carriage	1
	12 79301	(003370–)	Nozzle, Suction	1
	13 26565	(003370–)	Knob	1
	14 02578	(003370–004014)	Arm, Control	1
	14 12072	(004015–)	Arm, Control	1
	15 75604	(003370–)	Fitting, Elbow	1
	16 12052	(003370–004014)	Valve Replacement Kit, Water	1
	16 12060	(004015–)	Valve, Water	1
	17 07483	(003370– xxxxxx)	Fitting, Nipple, 3.0" (75 mm) L	1
	17 29035	(xxxxxx–)	Fitting, Nipple, 2.5" (65 mm) L	1
	18 23563	(003370–)	Fitting, Elbow	1
	19 11442–7	(003370–)	Fitting, Nipple	1
	20 07484	(003370–)	Fitting, Coupling	1
	21 11870	(003370–)	Fitting, Elbow, 45°	1
	22 11442–8	(003370–)	Fitting, Straight	1
	23 79606	(003370–)	Nozzle	1
	24 75803	(003370–004014)	Plate, Valve Mounting	1
	24 12074	(004015–)	Plate, Valve Mounting	1
	25 75802–1	(003370–)	Bracket	1
	26 11399	(003370–)	Clamp, Worm Drive	3
	27 75197	(003370–)	Hose, Rubber	1
	28 79273–2	(003370– xxxxxx)	Fitting, Coupling	2
	29 42133A	(003370– xxxxxx)	Fitting, Tee	1
	30 79484	(003370–)	Fitting, Elbow	1
	31 54333	(003370–)	Clamp, Worm Drive	1
▽	32 03402	(003467–)	Frame, Scrubber Head	1
▲	40575	(003370–)	Decal, Warning, Lock Scrubber Head	2
	02586	(003467–)	Label, Instruction, Pump Lever Model	1
	31260	(003467–)	Label, Instruction, Pump Prime	1
33	02446	(xxxxxx–)	Fitting, Tee	1

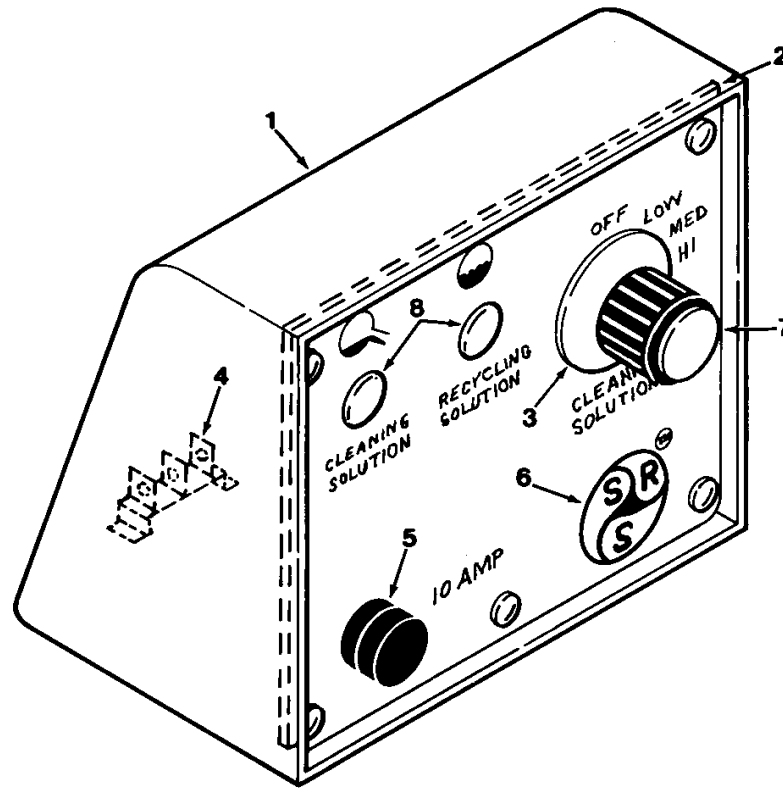
Fig. 4 – Wire Harnesses, SRS®



00813 – 550

Ref.	Tenant Part No.	Machine Serial Number	Description	Qty.
1	76436	(003370–003466)	Wire Harness, Control Box	1
1	03406	(003467–004254)	Wire Harness, Control Box	1
1	25185	(004255–)	Wire Harness, Control Box	1

Fig. 5 – Control Panel Assembly, SRS®



00351 – ALL

Ref.	Tennant Part No.	Machine Serial Number	Description	Qty.
▽	79318	(003370–) Control Panel Assembly	1
▲	1 79314	(003370–) Console, Instrument	1
▲	2 32798	(003370–) Panel, Front	1
▲	3 63837	(003370–) Switch, Cleaning Solution Metering	1
▲	4 16440	(003370–) Resistor	1
▲	5 07422	(003370–) Holder, Fuse	1
▲	45595	(003370–) Fuse, 10 A	1
▲	6 79410	(003370–) Decal, Control Panel	1
▲	7 63814	(003370–) Knob	1
▲	8 56992	(003370–) Plugbutton	2

Fig. 6 – Front Side of Solution Tank Group, SRS®

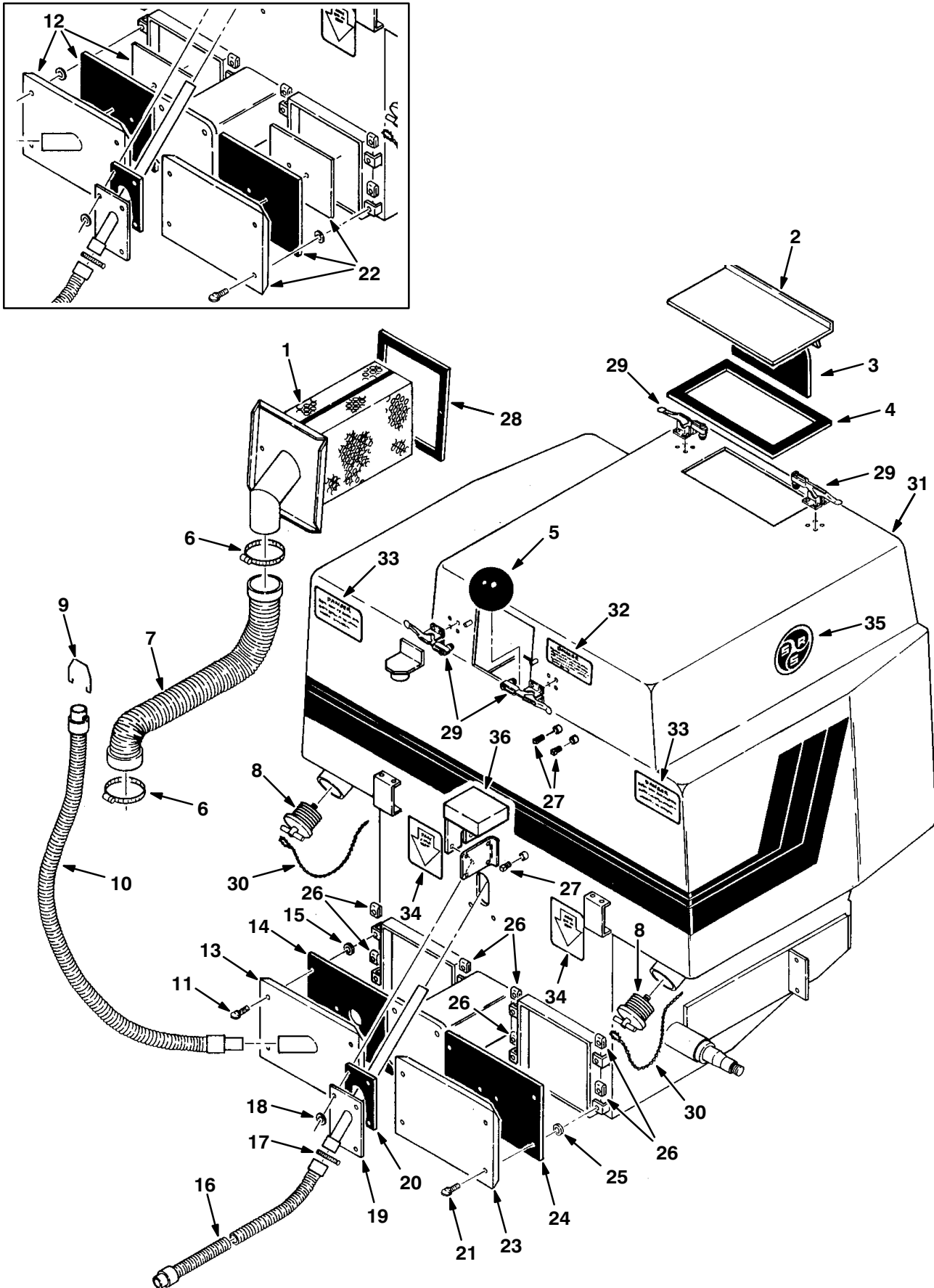


Fig. 6 – Front Side of Solution Tank Group, SRS®

Ref.	Tennant Part No.	Machine Serial Number	Description	Qty.
1	79558	(003370–004933)	Screen, Debris	1
2	76403	(003370–004933)	Cover, Sandblast	1
3	79500	(003370–004933)	Sheet, Top Sandblast	1
4	76395	(003370–004933)	Gasket, Cover	1
5	03706	(003370–004933)	Ball, Float	1
6	23498	(003370–004933)	Clamp, Worm Drive	2
7	09328	(003370–004152)	Hose Kit, Interconnection	1
7	25360	(004153–004933)	Hose Vacuum	1
8	30145	(003370–004194)	Drain Kit, Plug	2
8	222831	(004195–004933)	Plug, Drain	2
9	40550	(003370–004933)	Clip, Drain Hose Retainer	1
10	76828	(003370–004933)	Hose, Recovery Tank Drain	1
▽	79396	(003370–004933)	Door Assembly, Cleanout, R.H.	1
▲	11 25665	(003370–004344)	Replacement Kit, Thumbscrew	4
▲	11 369849	(004345–004933)	Fastener, Thumbscrew	4
▲	12 06231	(003370–003696)	Service Kit, Cleanout Door	1
▲	13 06230	(003697–004933)	Door, Cleanout	1
▲	14 06229	(003697–004933)	Gasket, Door	1
▲	15 26015	(003370–004933)	Fastener, Washer	4
16	75635	(003370–004933)	Hose, Debris Trough Pickup	1
17	11531	(003370–004933)	Clamp, Worm Drive	1
18	76426	(003370–004933)	Washer, Rubber Seal	4
19	61157	(003370–004933)	Tube, Front Suction	1
20	76532	(003370–004933)	Gasket, Suction Tube, Front	1
▽	78819	(003370–004933)	Door Assembly, Cleanout	1
▲	21 25665	(003370–004344)	Replacement Kit, Thumbscrew	4
▲	21 369849	(004345–004933)	Fastener, Thumbscrew	4
▲	22 06224	(003370–003696)	Service Kit, Cleanout Door	1
▲	23 06228	(003697–004933)	Door, Cleanout	1
▲	24 06227	(003697–004933)	Gasket, Door	1
▲	25 26015	(003370–004933)	Fastener, Washer	4
26	28165	(003370–004344)	Fastener, Nut	8
26	25663	(004345–004933)	Fastener, Nut	8
27	63511	(003370–004933)	Plug	3
28	79557	(003370–004933)	Gasket, Debris Screen	1
29	03823	(003370–004933)	Clamp, Toggle	4
▽	30 56506	(003370–004933)	Chain, Drain plug	2
▲	43363	(003370–004933)	Hook	2
31	65889	(003370–004933)	Replacement Kit, Tank, SRS®	1
32	40052	(003370–004933)	Decal, Fan Suction	1
33	57630	(003370–004933)	Decal, Danger, Keep Out	2
34	76157	(003370–004933)	Decal, Jack Only On Pad	2
35	79475	(003370–004933)	Decal, SRS®	2
36	61628	(003370–004933)	Bracket, Pump Cover	1

Fig. 7 – Front Side of Solution Tank Group, SRS®

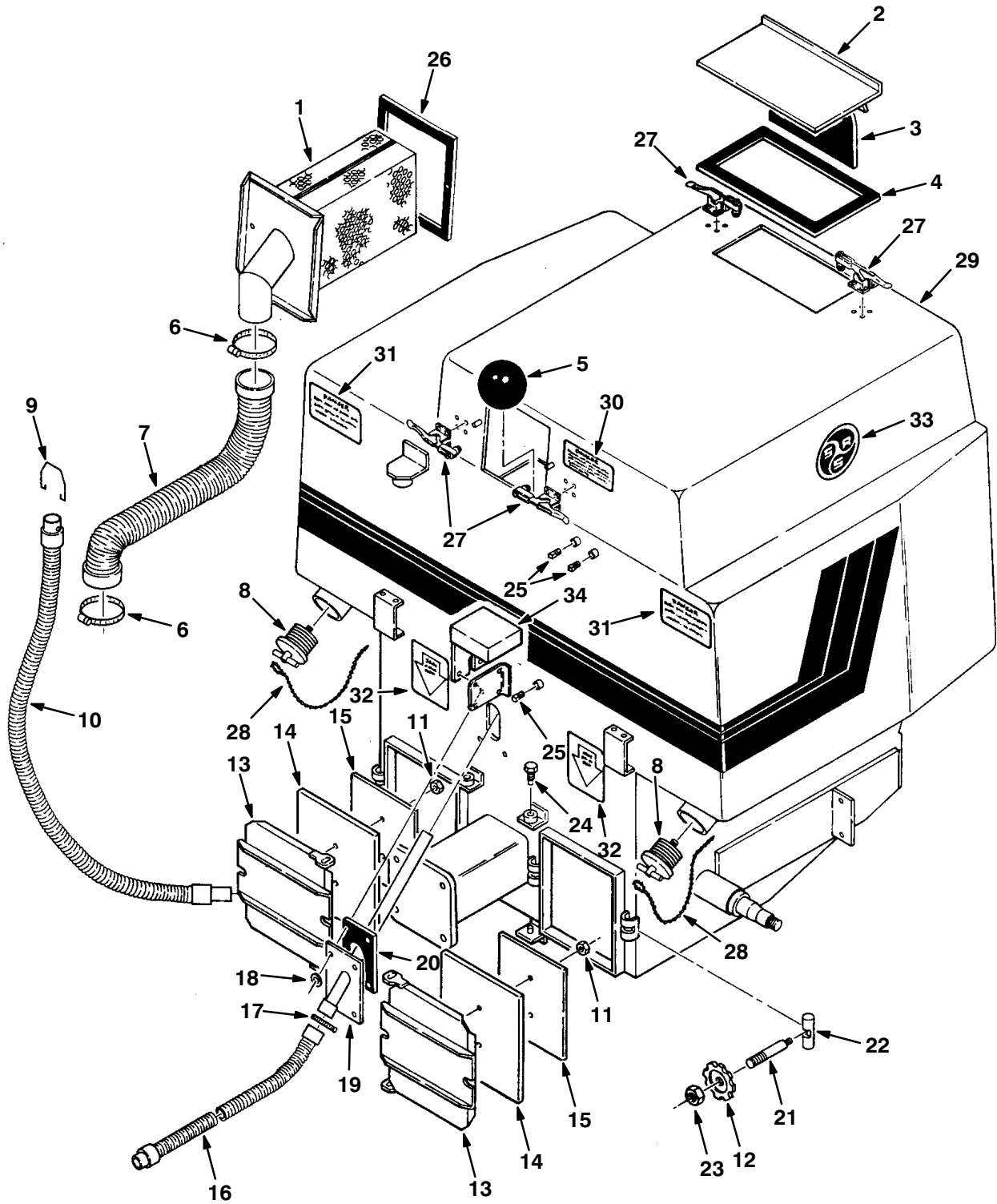
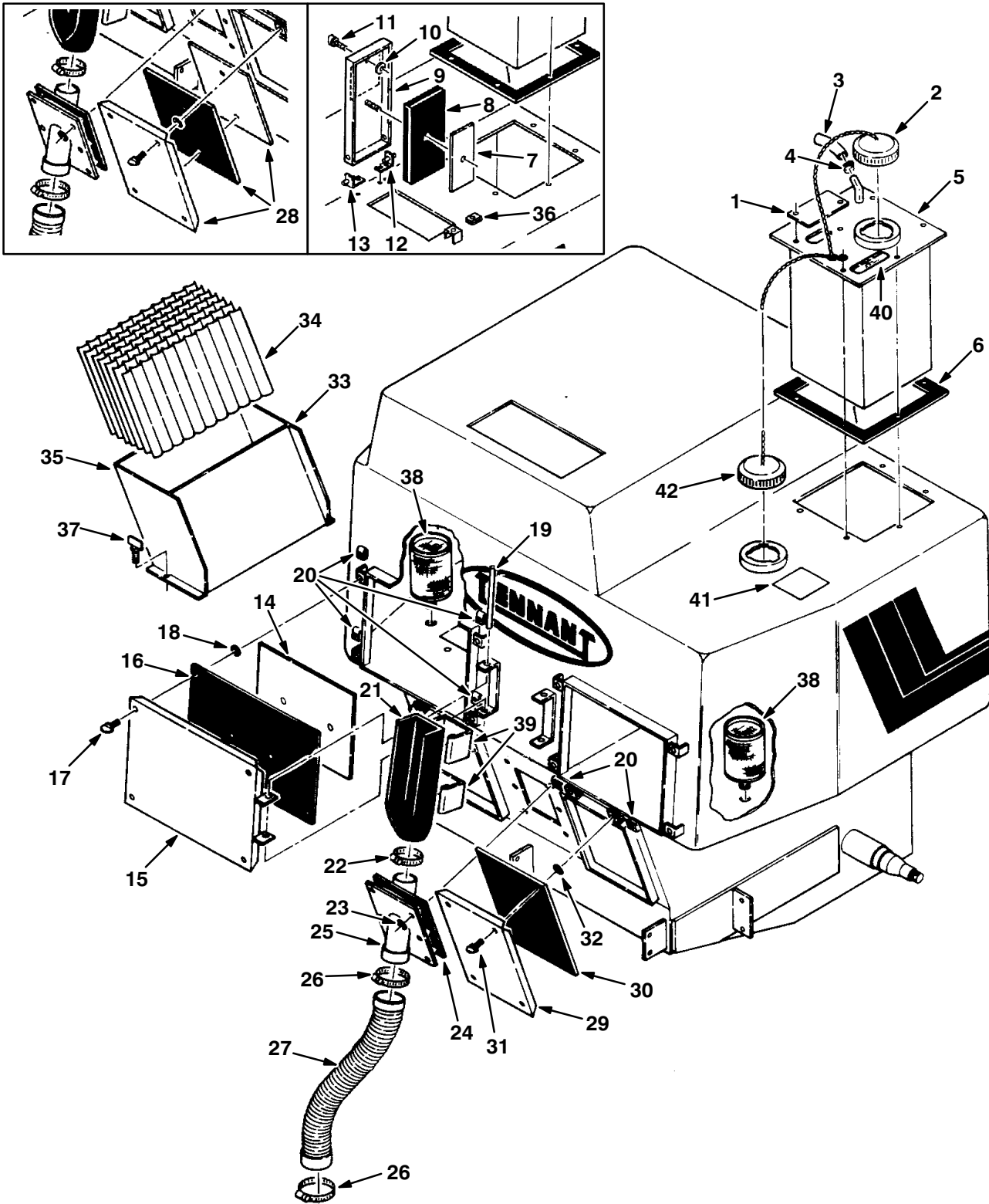


Fig. 7 – Front Side of Solution Tank Group, SRS®

Ref.	Tennant Part No.	Machine Serial Number	Description	Qty.	
1	79558	(004934–)	Screen, Debris	1	
2	76403	(004934–)	Cover, Sandblast	1	
3	79500	(004934–)	Sheet, Top Sandblast	1	
4	76395	(004934–)	Gasket, Cover	1	
5	03706	(004934–)	Ball, Float	1	
6	23498	(004934–)	Clamp, Worm Drive	2	
7	25360	(004934–)	Hose, Vacuum	1	
8	222831	(004934–)	Plug, Drain	2	
9	40550	(004934–)	Clip, Drain Hose Retainer	1	
10	76828	(004934–)	Hose, Recovery Tank Drain	1	
11	41169	(004934–)	Nut, Stainless Steel	4	
12	82958	(004934–)	Knob, Door Latch	4	
13	61176	(004934–)	Door	2	
14	61174	(004934–)	Gasket, Door	2	
15	61175	(004934–)	Plate, Door	2	
16	75635	(004934–)	Hose, Debris Trough Pickup	1	
17	11531	(004934–)	Clamp, Worm Drive	1	
18	76426	(004934–)	Washer, Rubber Seal	4	
19	61157	(004934–)	Tube, Front Suction	1	
20	76532	(004934–)	Gasket, Suction Tube, Front	1	
21	61171	(004934–)	Stud, Door Latch	4	
22	61170	(004934–)	Rod, Door Latch	4	
23	36644	(004934–)	Nut, Locking	4	
24	61181	(004934–)	Pivot, Door Hinge	2	
25	63511	(004934–)	Plug	3	
26	79557	(004934–)	Gasket, Debris Screen	1	
27	03823	(004934–)	Clamp, Toggle	4	
▽	28	56506	(004934–)	Chain, Drain Plug	2
▲	43363	(004934–)	Hook	2	
▽	29	79250–1	(004934–)	Tank, Solution and Recovery, SRS®	1
▲	30	40052	(004934–)	Label, Fan Suction	1
▲	31	57630	(004934–)	Label, Danger Keep Out	2
▲	32	76157	(004934–)	Label, Jack Only On Pad	2
	33	79475	(004934–)	Label, SRS®	2
	34	61628	(004934–)	Bracket, Pump	1

Fig. 8 – Rear Side of Solution Tank Group, SRS®



00355 – 550

Ref.	Tennant Part No.	Machine Serial Number	Description	Qty.
1	79453	(003370-004933)	Plate	1
2	375724	(003370-004933)	Cap, Filler	1
3	79580	(003370-004933)	Hose, Cleaning Solution	1
4	54333	(003370-004933)	Clamp, Worm Drive	1

Fig. 8 – Rear Side of Solution Tank Group, SRS®

Ref.	Tennant Part No.	Machine Serial Number	Description	Qty.
	5	03405	(003370–003466) Replacement Kit, Detergent Tank	1
	5	03404	(003467–004933) Tank, Detergent	1
	6	79367	(003370–004933) Gasket, Cleaning Solution Tank	1
▽		79414	(003370–003564) Door Assembly, Solution Filling	1
▲	7	79392	(003370–003564) Retainer, Seal	1
▲	8	79391	(003370–003564) Seal, Door	1
▲	9	79390	(003370–003564) Door, Cleaning Solution	1
▲	10	26015	(003370–003564) Retainer, Screw	1
▲	11	43460	(003370–003564) Thumbscrew	1
	12	75174	(003370–003564) Bracket, Hinge, R.H.	1
	13	75175	(003370–003564) Bracket, Hinge, L.H.	1
▽		79332	(003370–004933) Door Assembly, Rear Cleanout	2
▲	14	25928	(003370–004933) Strip	1
▲	15	06222	(003370–004933) Door, Cleanout	1
▲	16	06223	(003370–004933) Gasket, Door	1
▲	17	25665	(003370–004344) Replacement Kit, Thumbscrew	4
▲	17	369849	(004345–004933) Fastener, Thumbscrew	4
▲	18	26015	(003370–004933) Fastener, Washer	4
	19	49924	(003370–004933) Pin, Clevis	2
	20	28165	(003370–004344) Fastener, Nut	16
	20	25663	(004345–004933) Fastener, Nut	16
	21	79500	(003370–004933) Deflector, Spray, Rubber	1
	22	23498	(003370–004933) Clamp, Worm Drive	1
	23	76426	(003370–004933) Washer, Rubber Seal	6
	24	79545	(003370–004933) Seal, Suction Tube	1
	25	79471	(003370–004933) Tube, Rear Squeegee Suction	1
	26	43555	(003370–004933) Clamp, Worm Drive	2
	27	25649	(003370–004933) Hose, Rear Squeegee Suction	1
▽		78819	(003370–004933) Door Assembly, Cleanout	2
▲	28	06224	(003370–003696) Service Kit, Cleanout Door	1
▲	29	06228	(003697–004933) Door, Cleanout	1
▲	30	06227	(003697–004933) Gasket, Door	1
▲	31	25665	(003370–004344) Replacement Kit, Thumbscrew	4
▲	31	369849	(004345–004933) Fastener, Thumbscrew	4
▲	32	26015	(003370–004933) Fastener, Washer	4
▽		79477	(003370–004933) Filter Assembly, Laminar Flow, L.H.	1
▲	33	79473–1	(003370–004933) Housing, Filter Mounting	1
▲	34	64685	(003370–004933) Filter, Laminar Flow	1
▲	35	79474	(003370–004933) Panel, Flow tube Mounting Cover	1
	36	28165	(003370–003564) Fastener, Nut	1
▽		79476	(003370–004933) Filter Assembly, Laminar Flow, R.H.	1
▲		79472–1	(003370–004933) Housing, Filter Mounting	1
▲		64685	(003370–004933) Filter, Laminar Flow	1
▲		79474	(003370–004933) Panel, Flow Tube Mounting Cover	1
	37	79464	(003370–004933) Thumbscrew, Filter Hold Down	2
	38	79424	(003370–004933) Filter, Solution Outlet	2
	39	79570	(003370–004933) Frame, Spray Deflector	2
	40	79488	(003370–004933) Decal, SRS® Cleaning Solution	1
	41	79478	(003370–004933) Decal, Fill Tank	1
	42	375724	(003565–004933) Cap, Filler	1

Fig. 9 – Rear Side of Solution Tank Group, SRS®

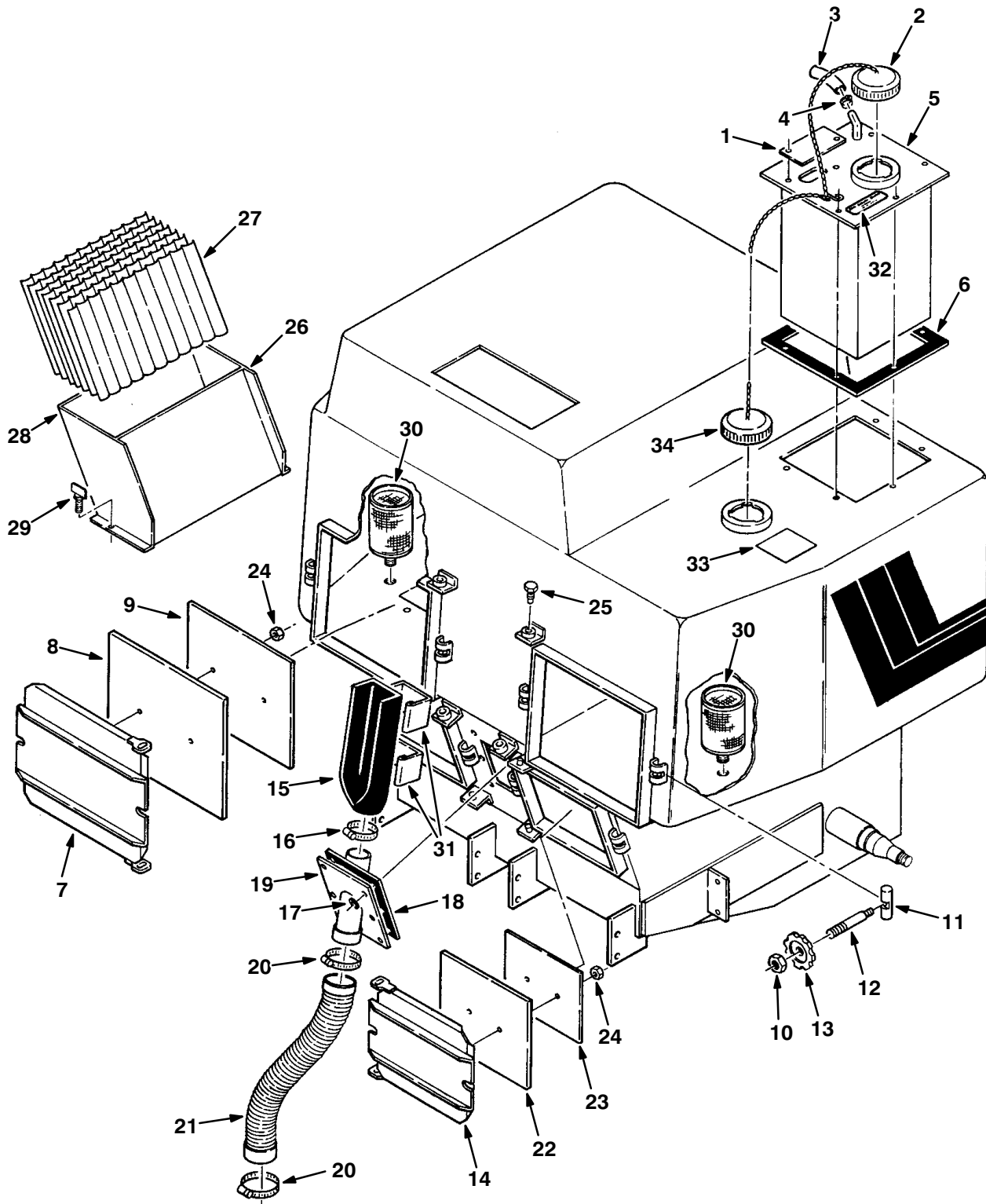


Fig. 9 – Rear Side of Solution Tank Group, SRS®

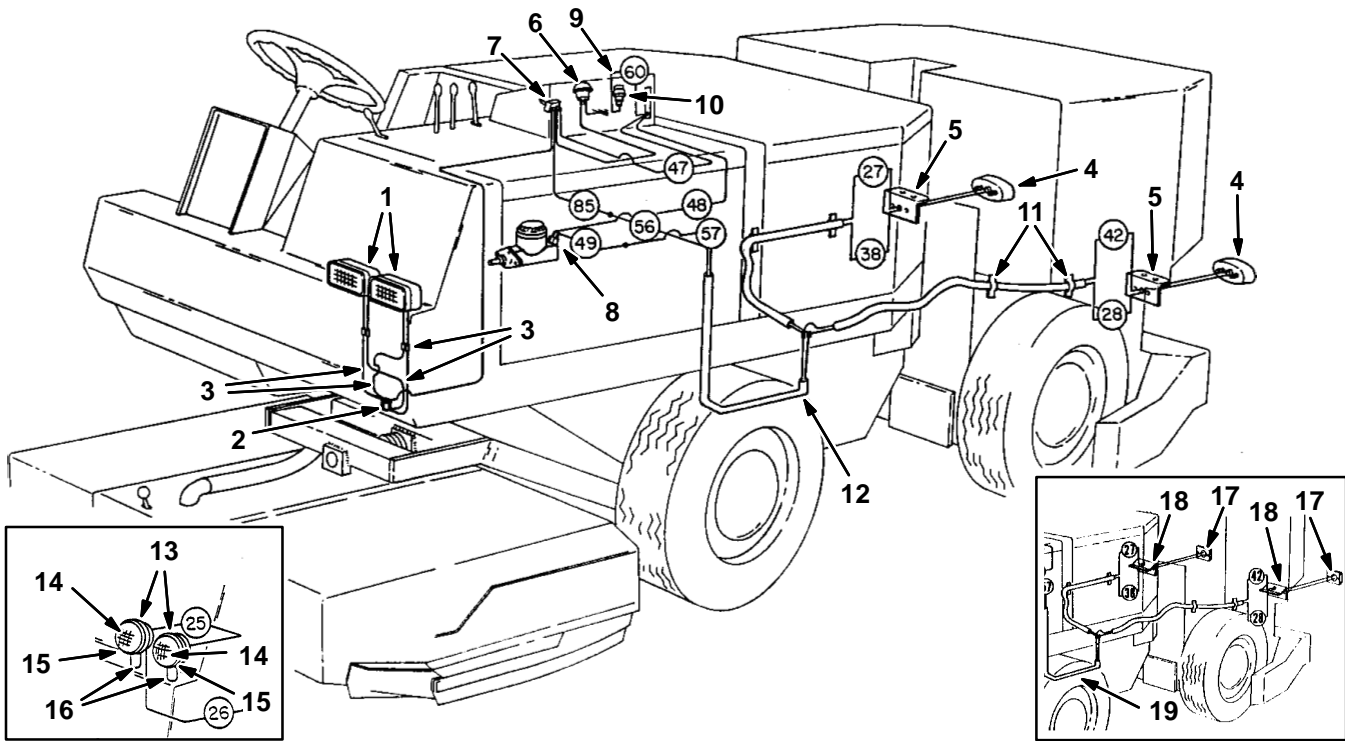
Ref.	Tennant Part No.	Machine Serial Number	Description	Qty.
1	79453	(004934–)	Plate	1
2	375724	(004934–)	Cap, Filler	1
3	79580	(004934–)	Hose, Cleaning Solution	1
4	54333	(004934–)	Clamp, Worm Drive	1
5	03404	(004934–)	Tank, Detergent	1
6	79367	(004934–)	Gasket, Cleaning Solution Tank	1
7	61189	(004934–)	Door, Upper	2
8	61187	(004934–)	Gasket, Upper Door	2
9	61188	(004934–)	Plate, Upper Door	2
10	36644	(004934–)	Nut, Locking	8
11	61170	(004934–)	Rod, Door Latch	8
12	61171	(004934–)	Stud, Door Latch	8
13	82958	(004934–)	Knob, Door Latch	8
14	61245	(004934–)	Door, Lower	2
15	79500	(004934–)	Deflector, Spray, Rubber	1
16	23498	(004934–)	Clamp, Worm Drive	1
17	76426	(004934–)	Washer, Rubber Seal	6
18	79545	(004934–)	Seal, Suction Tube	1
19	79471	(004934–)	Tube, Rear Squeegee Suction	1
20	43555	(004934–)	Clamp, Worm Drive	2
21	25649	(004934–)	Hose, Rear Squeegee Suction	1
22	61174	(004934–)	Gasket, Lower Door	2
23	61175	(004934–)	Plate, Lower Door	2
24	41169	(004934–)	Nut, Stainless Steel	8
25	61181	(004934–)	Pivot, Door Hinge	4
▽	79477	(004934–)	Filter Assembly, Laminar Flow, L.H.	1
▲	26 79473–1	(004934–)	Housing, Filter Mounting	1
▲	27 64685	(004934–)	Filter, Laminar Flow	1
▲	28 79474	(004934–)	Panel, Flow Tube Mounting Cover	1
▽	79476	(004934–)	Filter Assembly, Laminar Flow, R.H.	1
▲	79472–1	(004934–)	Housing, Filter Mounting	1
▲	64685	(004934–)	Filter, Laminar Flow	1
▲	79474	(004934–)	Panel, Flow Tube Mounting Cover	1
	29 79464	(004934–)	Thumbscrew, Filter Hold Down	2
	30 79424	(004934–)	Filter, Solution Outlet	2
	31 79570	(004934–)	Frame, Spray Deflector	2
	32 79488	(004934–)	Label, SRS® Cleaning Solution	1
	33 79478	(004934–)	Label, Fill Tank	1
	34 375724	(004934–)	Cap, Filler	1

SECTION 10

CONTENTS	PAGE
Fig. 1 – Light Kit	10-2
Fig. 2 – Overhead Guard Kit	10-3
Fig. 3 – Heavy Duty Bumper Kit	10-4
Fig. 4 – Brush Pressure Warning Kit	10-5
Fig. 5 – Flashing Light Kit	10-6
Fig. 6 – Revolving Light Group	10-7
Fig. 7 – Revolving Light Kit	10-8
Fig. 8 – Reserve LPG Tank Group with Filler Valve, SRS®	10-9
Fig. 9 – Reserve LPG Tank Kit with Filler Valve	10-10
Fig. 10 – Reserve LPG Tank Mounting Kit	10-11
Fig. 11 – Squeegee Wand Kit	10-12
Fig. 12 – High Pressure Sprayer Kit	10-14
Fig. 13 – Sludge Removal Tool Assembly, SRS®	10-17
Fig. 14 – Heavy Duty Bumper Kit, SRS®	10-18
Fig. 15 – Squeegee Wand Kit, SRS®	10-20
Fig. 16 – Light Kit, SRS®	10-22
Fig. 17 – Flashing Light Kit, SRS®	10-23
Fig. 18 – Revolving Light Group, SRS®	10-24
Fig. 19 – Level Warning Light Kit, SRS®	10-25
Fig. 20 – Fire Extinguisher Kit	10-26
Fig. 21 – Protectoseal Gasoline Cap	10-26
Fig. 22 – Wheel Assembly, Foam Filled	10-27
Fig. 23 – Solution Tank Drain Kit	10-27
Fig. 24 – Rear View Mirror Kit	10-28
Fig. 25 – Spark Arresting Muffler Kit	10-28
Fig. 26 – Recovery Level Warning Light Kit	10-29
Fig. 27 – Side Squeegees Extension Kit	10-30
Fig. 28 – Documentation Group	10-31

OPTIONS

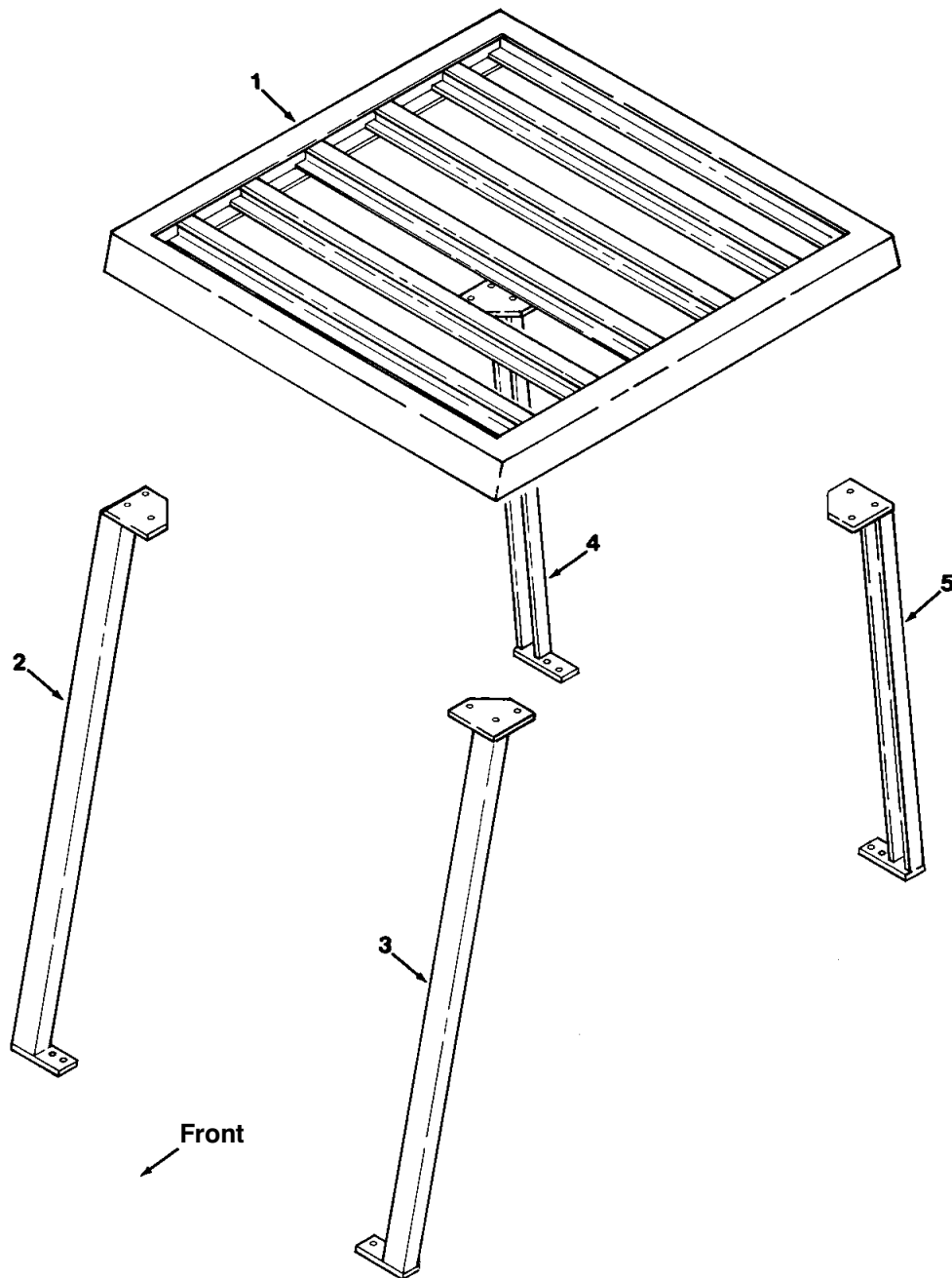
Fig. 1 – Light Kit



09871 – 550

Ref.	Tennant Part No.	Machine Serial Number	Description	Qty.
▽	78160	(003370–)	Light Kit	1
▲	1 24298	(005290–)	Headlight Assembly	2
▲	2 76062	(005290–)	Insulator	1
▲	3 79102	(005290–)	Wire Assembly, Headlight	2
▲▽	4 51572	(004957–)	Taillight	2
▲▲	45780	(004957–)	Bulb	1
▲	5 49022	(004957–)	Bracket, Taillight	2
▲	76426	(003370–)	Washer, Sealing	4
▲▽	6 47768	(003370–)	Light, Panel	1
▲▲	24427	(003370–)	Bulb	1
▲	7 10701	(003370–)	Switch, Toggle	1
▲	8 13959	(003370–)	Switch, Brake Light Sending	1
▲	9 07422	(003370–)	Holder, Fuse	1
▲	10 14215	(003370–)	Fuse	1
▲	11 49262	(003370–)	Clamp, Conduit	2
▲	78153	(003370–)	Wire Kit, Operating Lights	1
▲	09385	(003370–)	Clamp, Cable	1
▲	12 25183	(004255–)	Wire Harness	1
▲	49266	(003370–)	Tie, Cable	6
▲	10632–19	(003370–)	Grommet, Rubber	1
	13 21639	(003370–005289)	Light Kit, Hd–TI/550	1
	14 51570	(003370–005289)	Bulb	1
	15 24227	(003370–005289)	Washer, Dished	2
	16 24142	(003370–005289)	Washer, Spherical	4
▽	17 79439	(003370–004956)	Taillight	2
▲	48211	(003370–004956)	Bulb	1
	18 76877	(003370–004956)	Bracket, Taillight	2
	19 76220	(003370–004254)	Wire Harness	1

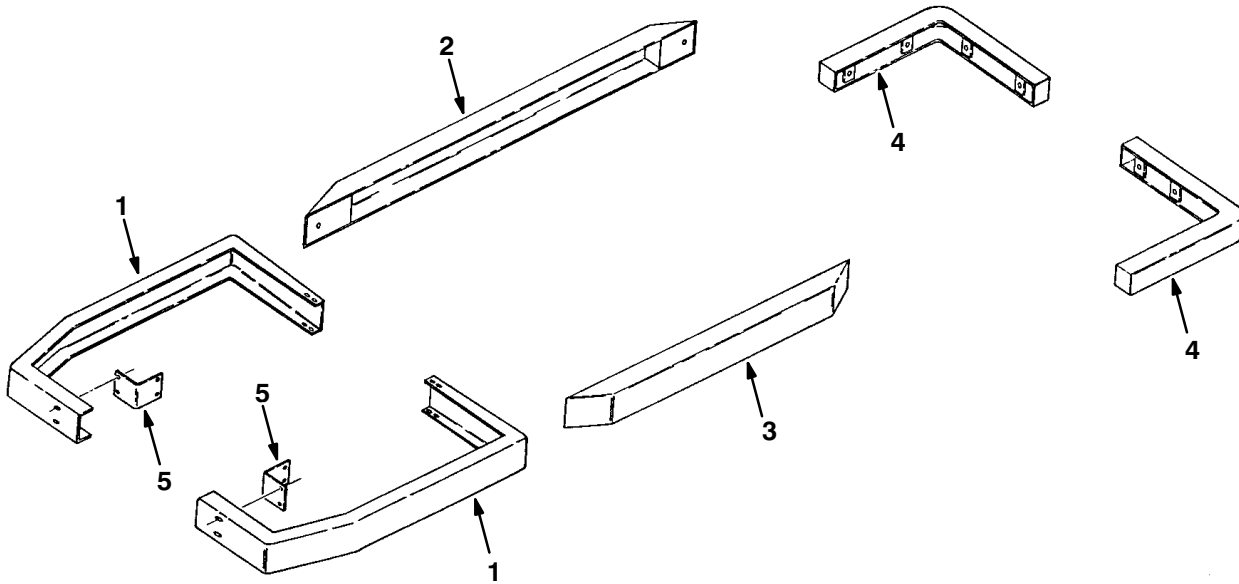
Fig. 2 – Overhead Guard Kit



00317 – ALL

Ref.	Tennant Part No.	Machine Serial Number	Description	Qty.
▽	75903	(003370–) Guard Kit, Overhead	1
▲ 1	76862	(003370–) Guard, Top	1
▲ 2	76858	(003370–) Leg, Front, R.H.	1
▲ 3	76859	(003370–) Leg, Front, L.H.	1
▲ 4	76860	(003370–) Leg, Rear, R.H.	1
▲ 5	76861	(003370–) Leg, Rear, L.H.	1

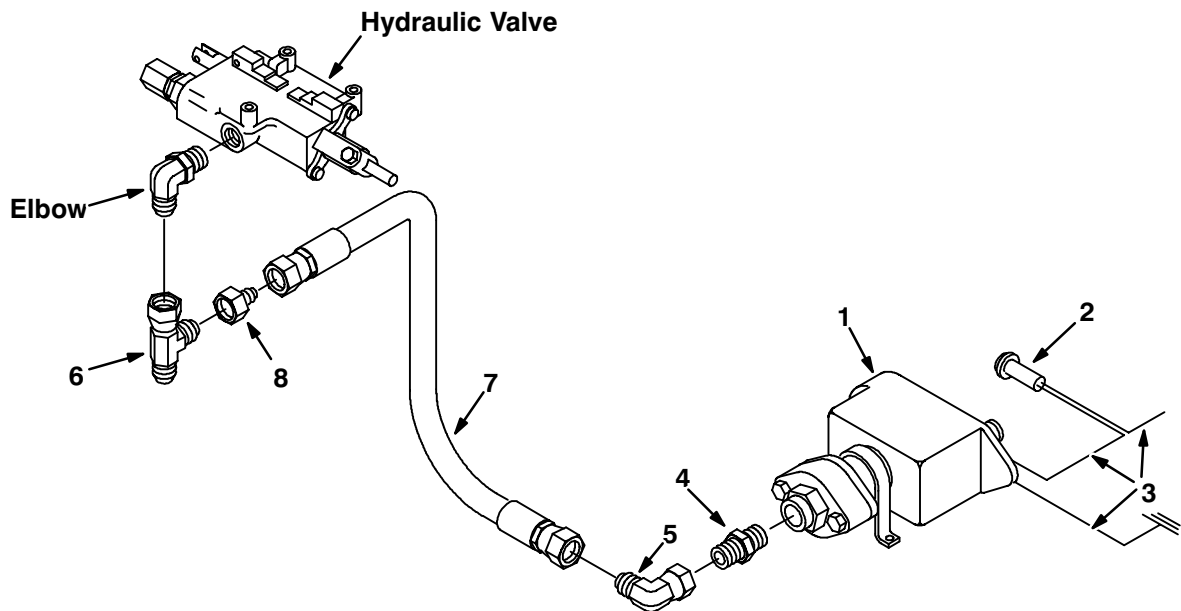
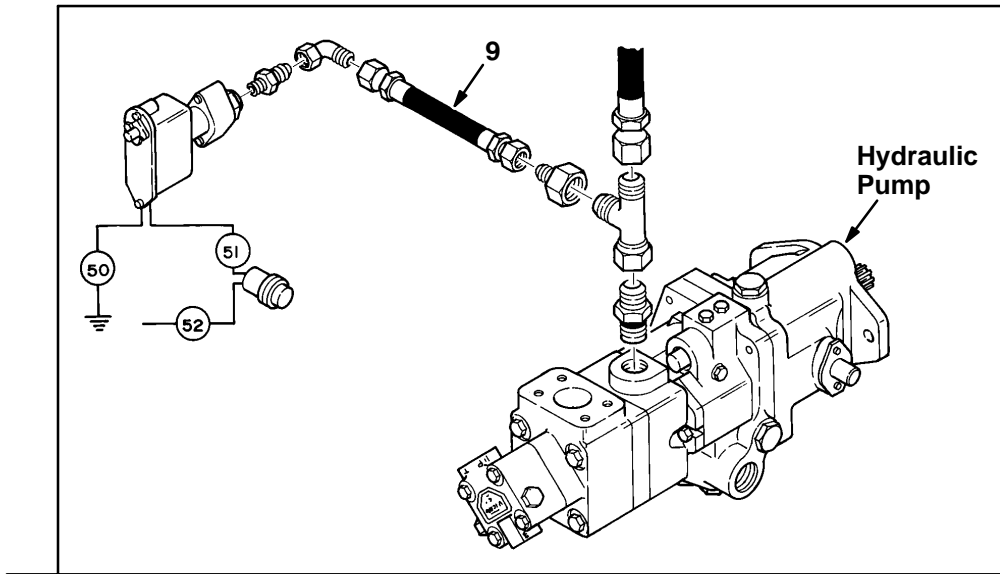
Fig. 3 – Heavy Duty Bumper Kit



00825 – 550, 550E

Ref.	Tennant Part No.	Machine Serial Number	Description	Qty.
▽	75906	(003370–)	Bumper Kit, Heavy Duty	1
▲ 1	75108	(003370–)	Bumper, Recovery and Solution Tank	2
▲ 2	78101	(003370–)	Bumper, Left Side, Tractor	1
▲ 3	78099	(003370–)	Bumper, Right Side, Tractor	1
▲ 4	75673	(003370–)	Bumper, Scrubber Head	2
▲ 5	75144	(003370–)	Bracket, L	2

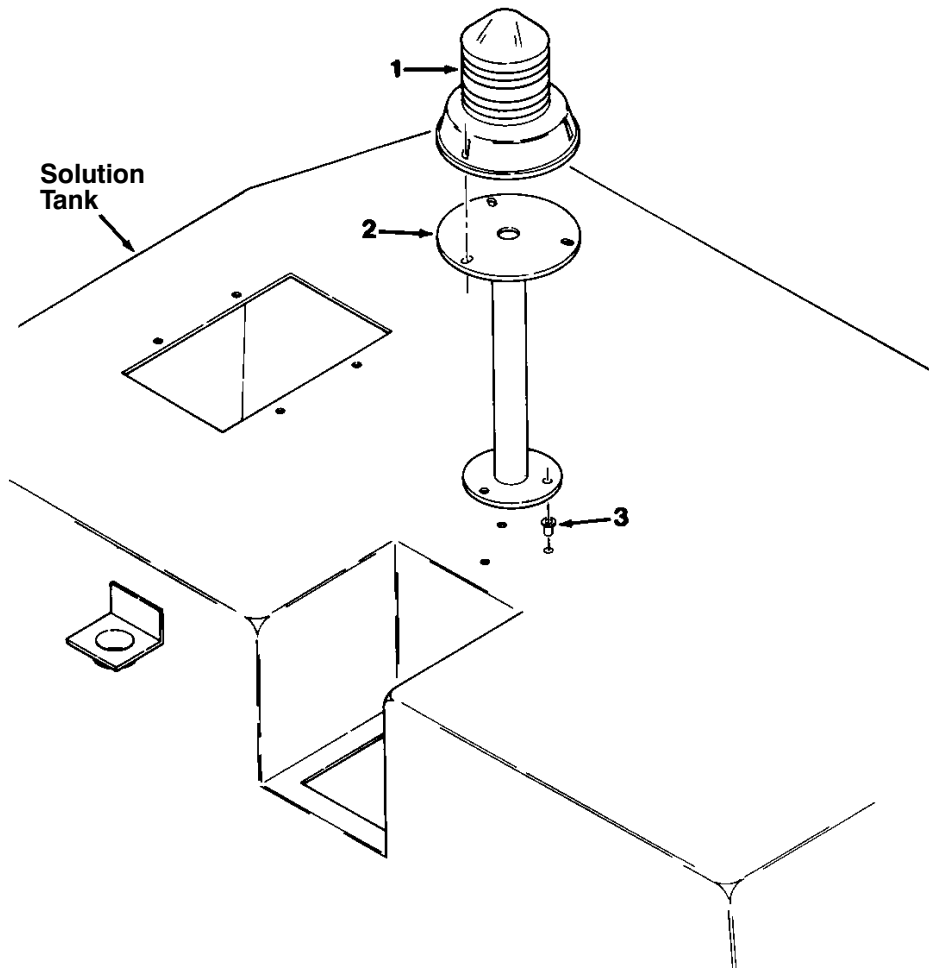
Fig. 4 – Brush Pressure Warning Kit



02858 – 550

Ref.	Tennant Part No.	Machine Serial Number	Description	Qty.
▽	03992	(003370–) Warning Kit, Brush Pressure	1
▲ 1	62417-2	(003370–) Switch, Pressure	1
▲ 2	68222	(003370–) Light, Pilot	1
▲ 3	78157	(003370–) Wire Kit	1
▲ 4	15724	(003370–) Fitting, Straight	1
▲ 5	47504	(003370–) Fitting, Elbow	1
▲ 6	40514	(003370–) Fitting, Tee	1
▲ 7	49943	(004438–) Hose, Hydraulic	1
▲ 8	34375	(003370–) Fitting, Straight	1
▲ 9	76252	(003370-004437) Hose, Hydraulic	1

Fig. 5 – Flashing Light Kit

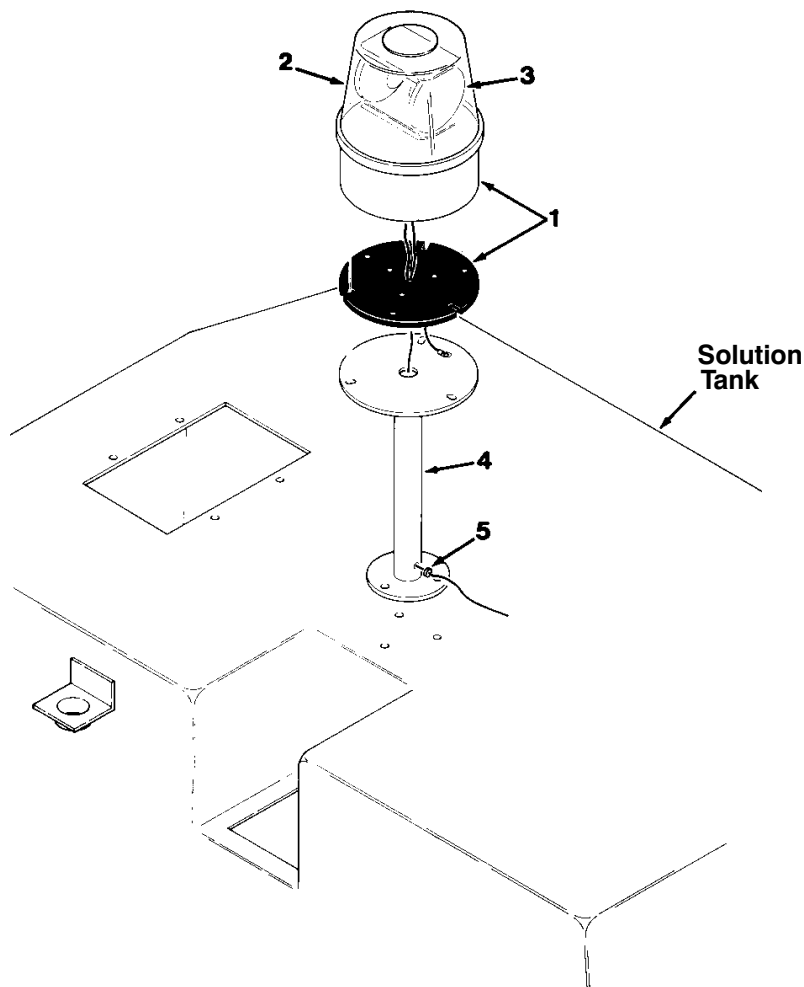


00817 – 550

Ref.	Tennant Part No.	Machine Serial Number	Description	Qty.
▽	78164	(003370–)	Light Kit, Flashing	1
▲▽ 1	47535	(003370–)	Lamp Assembly, Flashing	1
▲▲	47535–2	(003370–)	Lamp, Flashing	1
▲▲	24576–1	(003370–)	Bracket, Flasher	1
▲▲	24576	(003370–)	Flasher	1
▲▲	47535–1	(003370–)	Lens, Lamp, Red	1
▲▲	22640	(003370–)	Bulb	1
▲ 2	16513	(003370–)	Support	1
▲ 3	42082	(003370–)	Rivnut	3
▲	78155	(003370–)	Wire Kit	1
▲	10701	(003370–)	Switch	1
▽	47536	(003370–)	Lamp Assembly, Flashing, Amber	1
▲	47536–1	(003370–)	Lens, Lamp, Amber	1
▽	47537	(003370–)	Lamp Assembly, Flashing, Blue	1
▲	47537–1	(003370–)	Lens, Lamp, Blue	1

NOTE: To identify parts shown but not listed here, see Section 6, Standard Parts.

Fig. 6 – Revolving Light Group

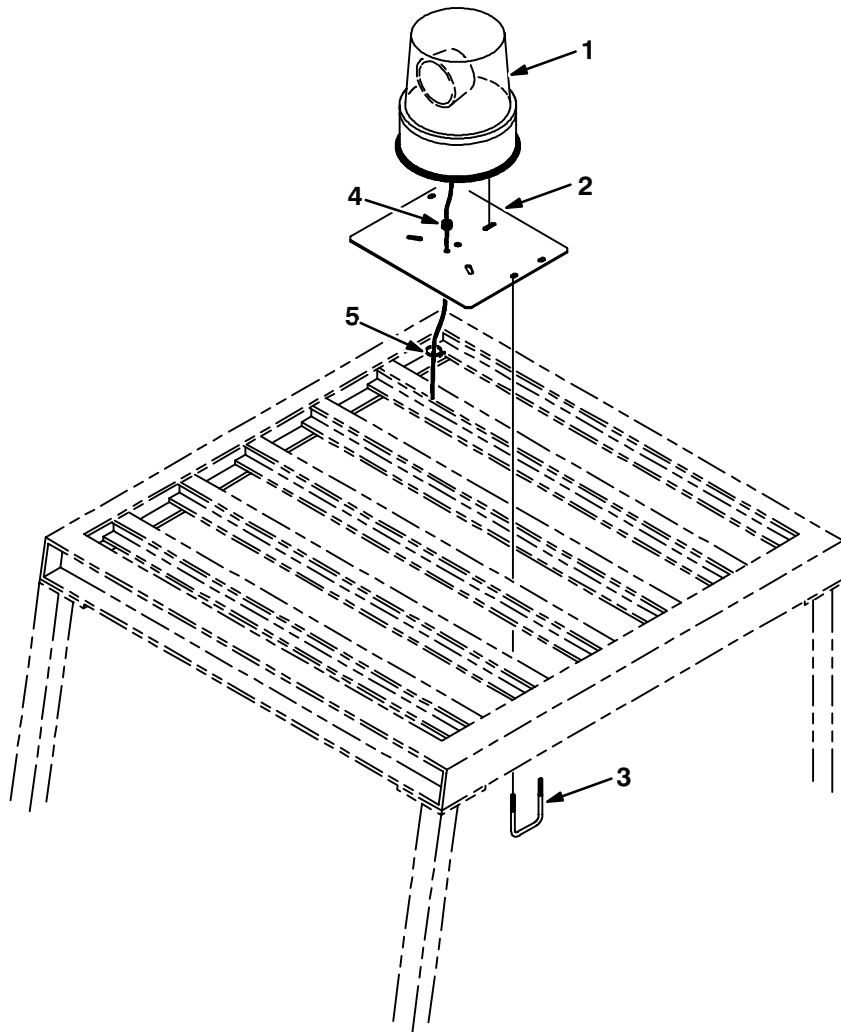


02386 – 550

	Ref.	Tennant Part No.	Machine Serial Number	Description	Qty.
▽	1	16418	(003370–)	Light Assembly, Revolving Red	1
▲	2	16421	(003370–)	Lens, Red	1
▲	3	16511	(003370–)	Bulb	2
	4	53174–1	(003370–)	Support	1
	5	46314	(003370–)	Grommet	1
		49262	(003370–)	Clamp, Conduit	5
		10701	(003370–)	Switch, Toggle	1
▽		16419	(003370–)	Light Assembly, Revolving Blue	1
▲		16422	(003370–)	Lens, Blue	1
▲		16511	(003370–)	Bulb	2
▽		16420	(003370–)	Light Assembly, Revolving Amber	1
▲		16423	(003370–)	Lens, Amber	1
▲		16511	(003370–)	Bulb	2

NOTE: To identify parts shown but not listed here, see Section 6, Standard Parts.

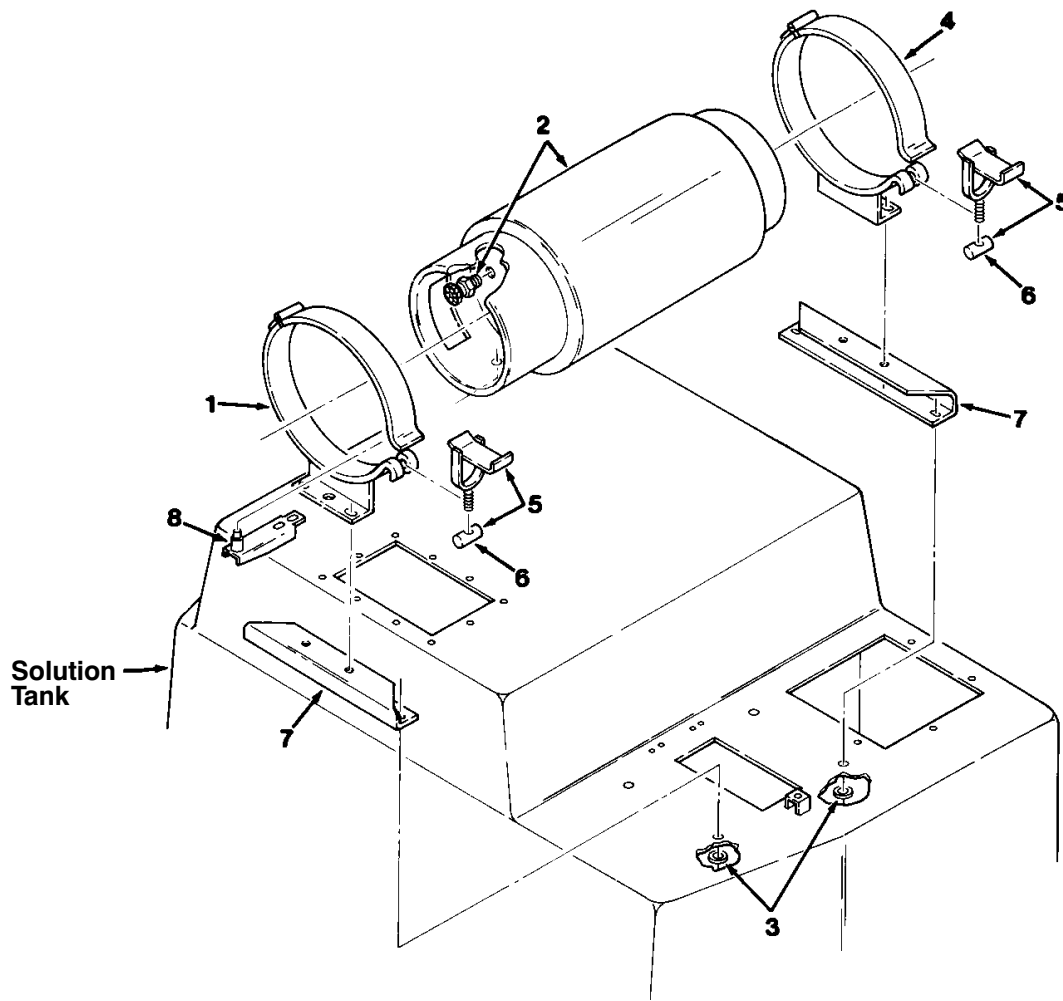
Fig. 7 – Revolving Light Kit



01108 – 550, 1550

Ref.	Tennant Part No.	Machine Serial Number	Description	Qty.
▽	78161	(003370–) Light Kit, Revolving	1
▲▽	1 16418	(003370–) Lamp Assembly, Revolving	1
▲▲	46928–1	(003370–) Lens, Lamp, Red	1
▲▲	45670	(003370–) Bulb	1
▲	2 33782	(003370–) Plate, Mounting	1
▲	3 33783	(003370–) V–Bolts	2
▲▽	78154	(003370–) Wire Kit	1
▲▲	4 51798	(003370–) Grommet, Rubber	1
▲	10701	(003370–) Switch, Toggle	1
▲	5 09384	(003370–) Clamp, Cable	5
▽	16420	(003370–) Lamp Assembly, Revolving, Amber	1
▲	16423	(003370–) Lens, Lamp, Amber	1
▽	16419	(003370–) Lamp Assembly, Revolving, Blue	1
▲	16422	(003370–) Lens, Lamp, Blue	1

Fig. 8 – Reserve LPG Tank Group with Filler Valve, SRS®

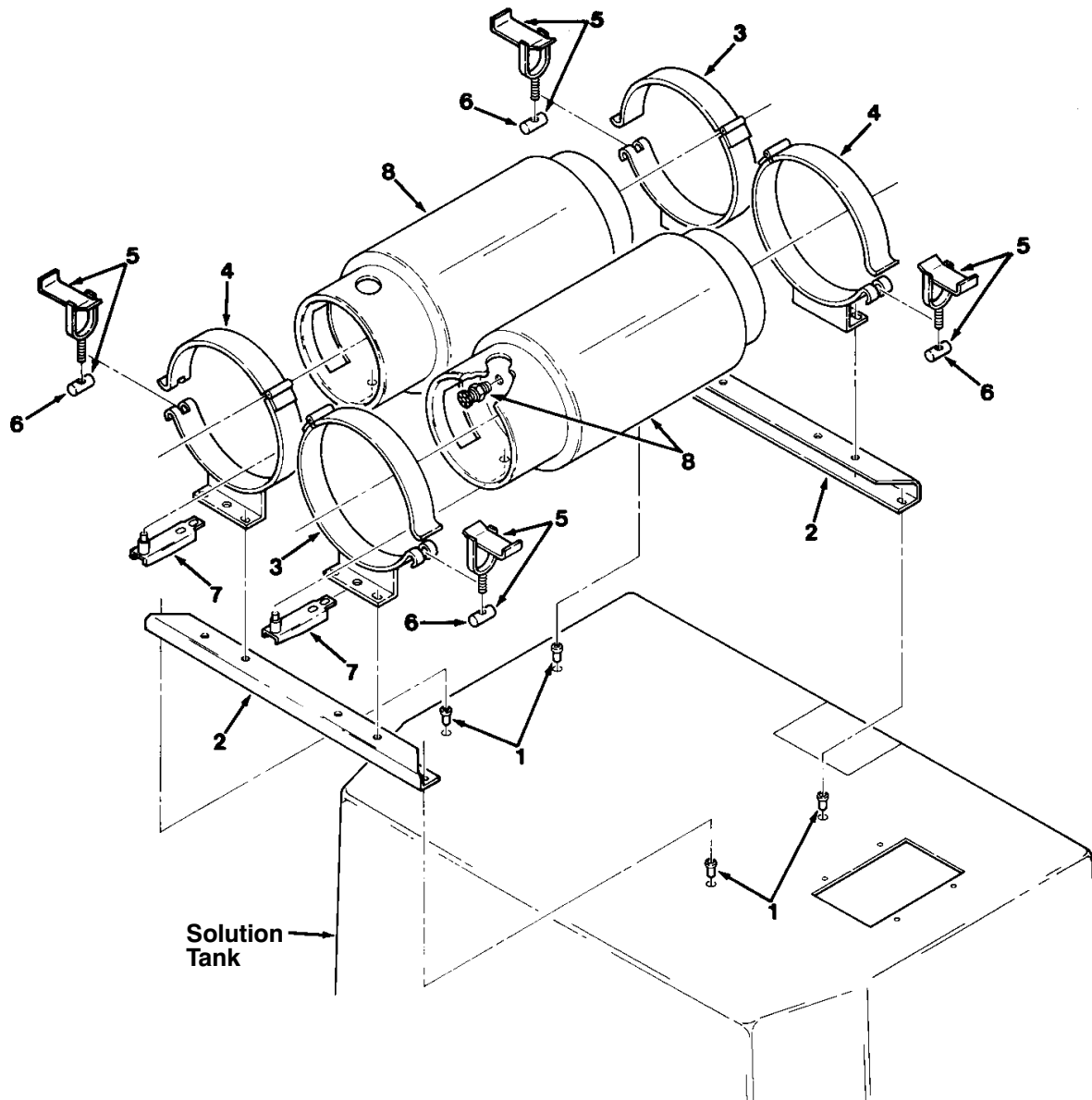


00795 – 550, 1550, LP

Ref.	Tennant Part No.	Machine Serial Number	Description	Qty.	
1	53400-3	(003370-) Mount, LPG Tank	1	
2	24928-1	(003370-) Tank Assembly, LPG	1	
3	76426	(003370-) Washer, Rubber	4	
4	53400-2	(003370-) Mount, LPG Tank	1	
▽	5	53400-1	(003370-) Latch	2
▲	6	53400-4	(003370-) Lug	1
7	79368	(003370-) Bracket, LPG Tank Mounting, Replaced by none	2	
8	53400-5	(003370-) Locator	1	

NOTE: To identify parts shown but not listed here, see Section 9, SRS® Parts.

Fig. 9 – Reserve LPG Tank Kit with Filler Valve

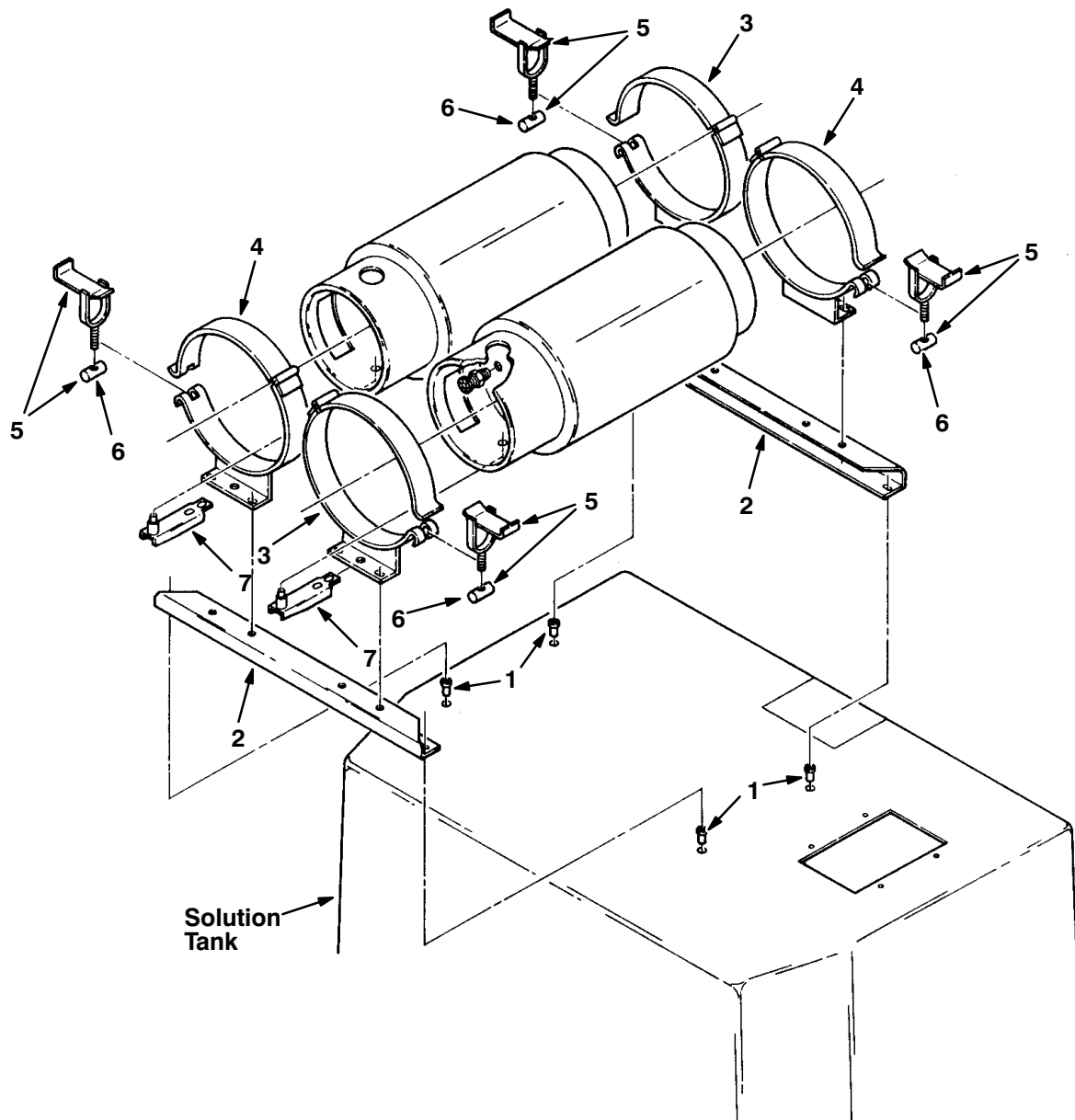


00437 – 550, LP

Ref.	Tennant Part No.	Machine Serial Number	Description	Qty.
▽	78109	(003370–) Tank Kit, Reserve LPG	1
▲	1 42082	(003370–) Rivnut	4
▲	2 78120	(003370–) Bracket, LPG Tank Mounting	2
▲	3 53400–3	(003370–) Mount, LPG Tank	2
▲	4 53400–2	(003370–) Mount, LPG Tank	2
▲▽	5 53400–1	(003370–) Latch, Tank	4
▲▲	6 53400–4	(003370–) Lug	1
▲	7 53400–5	(003370–) Locator, Tank	2
▲	8 24928–1	(003370–) Tank Assembly, LPG	2

NOTE: To identify parts shown but not listed here, see Section 6, Standard Parts.

Fig. 10 – Reserve LPG Tank Mounting Kit

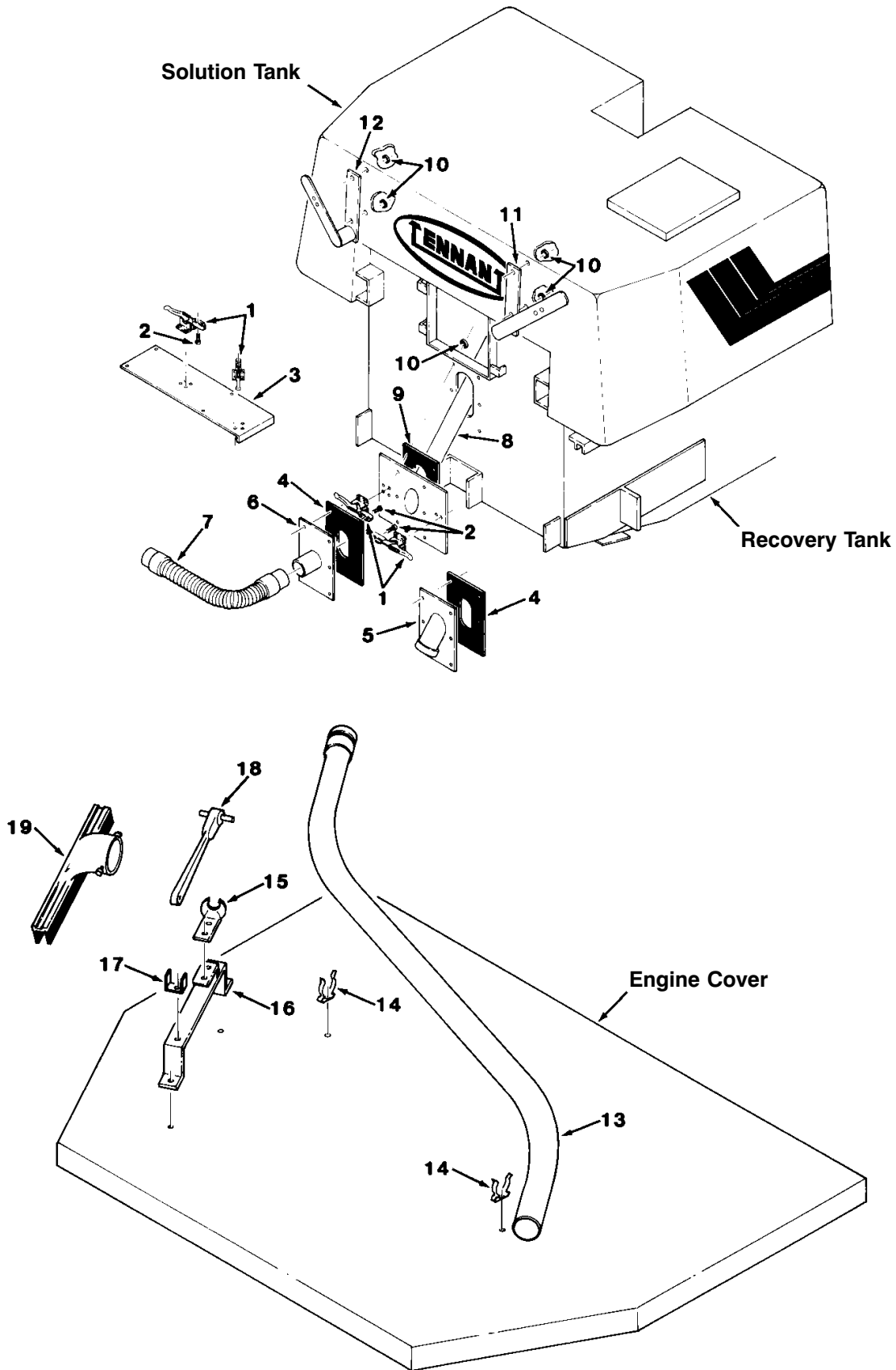


00437 – 550, LP

Ref.	Tennant Part No.	Machine Serial Number	Description	Qty.
▽	78090	(003370–)	Tank Mounting Kit, Reserve LPG	1
▲ 1	42082	(003370–)	Rivnut	4
▲ 2	78120	(003370–)	Bracket, LPG Tank Mounting	2
▲ 3	53400–3	(003370–)	Mount, LPG Tank	2
▲ 4	53400–2	(003370–)	Mount, LPG Tank	2
▲▽ 5	53400–1	(003370–)	Latch, Tank	4
▲▲ 6	53400–4	(003370–)	Lug	1
▲ 7	53400–5	(003370–)	Locator, Tank	2

NOTE: To identify parts shown but not listed here, see Section 6, Standard Parts.

Fig. 11 – Squeegee Wand Kit

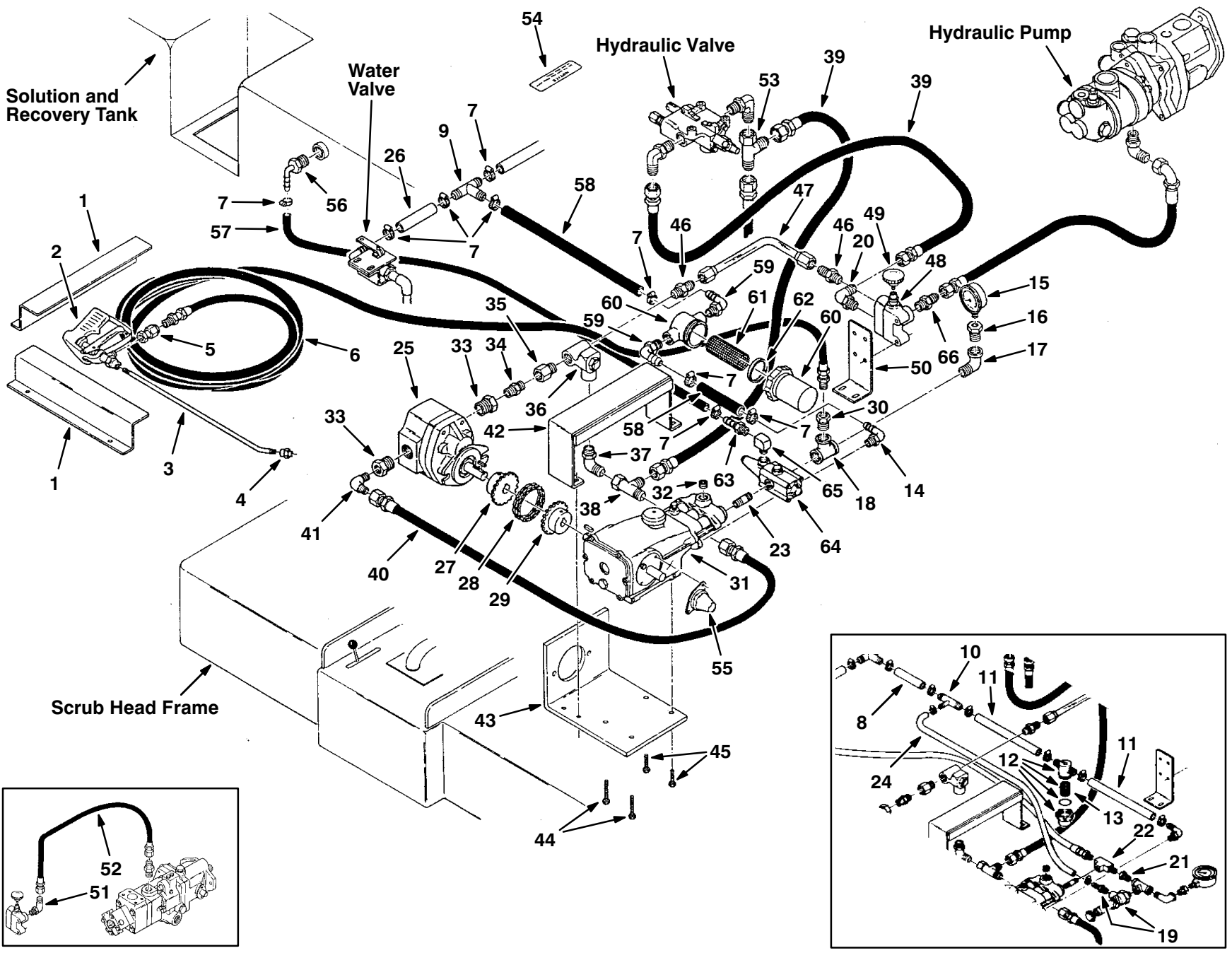


NOTE: To identify parts shown but not listed here, see Section 6, Standard Parts.

Fig. 11 – Squeegee Wand Kit

	Ref.	Tennant Part No.	Machine Serial Number	Description	Qty.
▽		78167	(003370–) Squeegee Wand Kit	1
▲	1	03823	(003370–) Clamp, Toggle	4
▲	2	75128	(003370–) Spindle, Adjusting	4
▲	3	50790	(003370–) Plate, Wand Hose Adaptor Storage	1
▲	4	75095	(003370–) Seal, Adhesive Backed	2
▲	5	76152	(003370–) Adaptor, Rear Squeegee	1
▲	6	76153	(003370–) Adaptor, Squeegee Wand	1
▲	7	75127	(003370–) Hose, Squeegee Wand	1
▲	8	76154A	(003370–) Tube, Rear Suction	1
▲	9	75076	(003370–) Seal, Rear Suction Tube	1
▲	10	76426	(003370–) Washer, Rubber Backed	10
▲		42082	(003370–) Rivnut	4
▲	11	50788	(003370–) Bracket, Hose Mounting, R.H.	1
▲	12	50789	(003370–) Bracket, Hose Mounting, L.H.	1
▲	13	40171	(003370–) Handle, Squeegee Wand	1
▲	14	22473	(003370–) Clip, Handle, Retaining	2
▲	15	40670	(003370–) Catch	1
▲	16	75054	(003370–) Mount, Squeegee Nozzle	1
▲	17	40671	(003370–) Bracket, U	1
▲	18	75118	(003370–) Hook, Rubber	1
▲▽	19	40173	(003370–) Nozzle Assembly, Squeegee	1
▲▲		40173-1	(003370–) Blade Set, Replacement	1

Fig. 12 - High Pressure Sprayer Kit



NOTE: To identify parts shown but not listed here, see Section 6, Standard Parts.

Fig. 12 – High Pressure Sprayer Kit

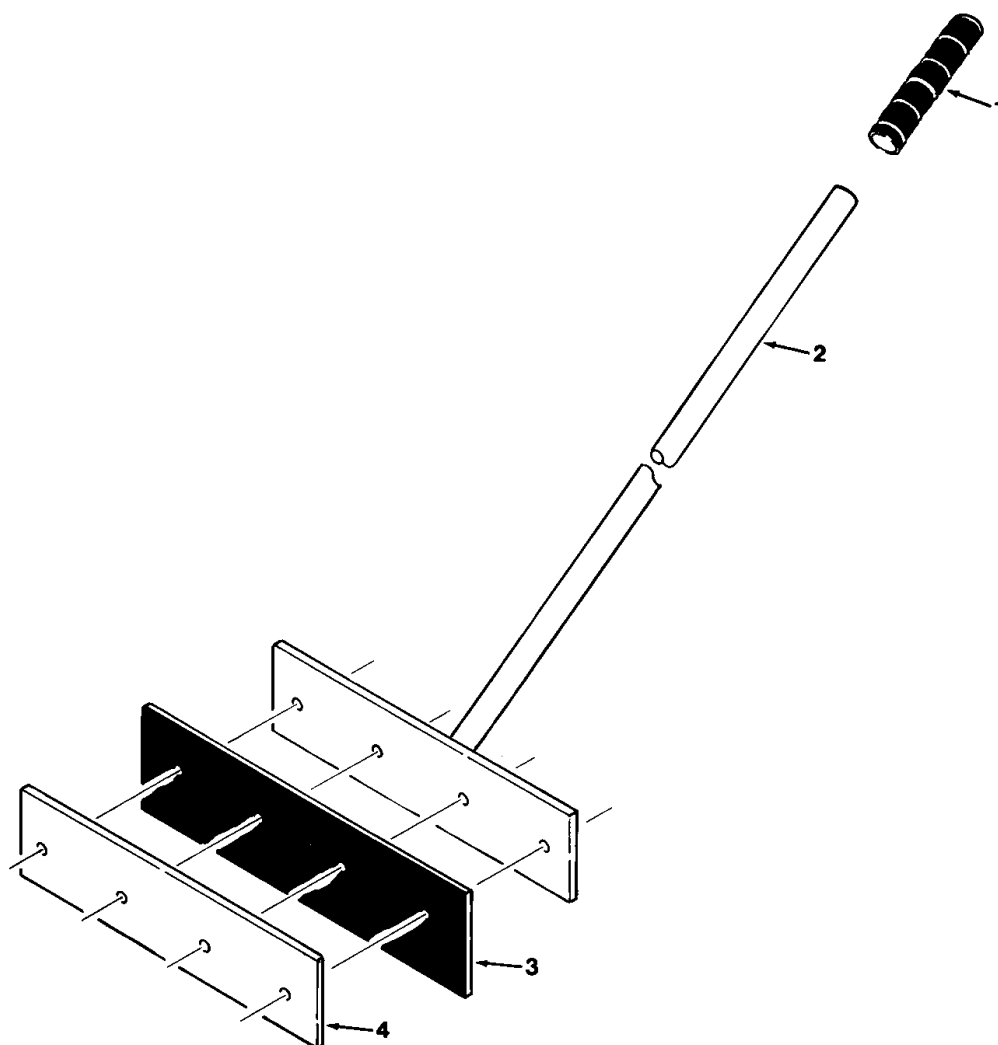
Ref.	Tennant Part No.	Machine Serial Number	Description	Qty.
▽	78171	(003370–)	Sprayer Kit, High Pressure	1
▲ 1	75180	(003370–)	Retainer, Hose, Water	2
▲ 2	40151	(003370–)	Handle, Spray	1
▲ 3	40152	(003370–)	Wand, Spray	1
▲ 4	75186	(003370–)	Nozzle, Spray	1
▲ 5	40155	(003370–)	Connector, Handle, Spray	1
▲ 6	40154	(003370–)	Hose, Water, High Pressure	1
▲ 7	11399	(003370–)	Clamp, Worm Drive	10
▲ 8	75197	(003370–003483)	Hose, Rubber	1
▲ 9	75119	(003370–)	Tee, Barbed	1
▲ 10	40175	(003370–003483)	Tee, Barbed	1
▲ 11	75198	(003370–003483)	Hose, Rubber	1
▲▽ 12	08877	(003370–003483)	Filter	1
▲▲ 13	08877	(003370–003483)	Element, Filter Screen	1
▲ 14	40145	(003370–)	Fitting, Barbed Elbow	1
▲ 15	40144–5	(003370–)	Gauge, Pressure	1
▲ 16	47721	(003370–)	Fitting, Straight	1
▲ 17	11869	(003370–)	Fitting, Elbow	1
▲ 18	11442–10	(003370–)	Fitting, Tee	1
▲ 19	02453	(003370–003483)	Replacement Kit, Water Valve	1
▲ 20	51782	(003370–)	Fitting, Elbow	1
▲ 21	42214	(003370–003483)	Fitting, Straight	1
▲ 22	52448	(003370–003483)	Fitting, Tee	1
▲ 23	02281	(003370–)	Fitting, Nipple	1
▲ 24	75196	(003370–003483)	Hose, Rubber	1
▲ 25	75185	(003370–)	Motor, Hydraulic	1
▲ 26	75197	(003370–)	Hose, Rubber	1
▲ 27	75187	(003370–)	Coupling, Keyed, R.H.	1
▲	39322	(003370–)	Screw, Set	4
▲▽ 28	33778	(003370–)	Chain Assembly	1
▲▲	33692	(003370–)	Link, Chain	1
▲ 29	40143	(003370–)	Coupling, Keyed, L.H.	1
▲ 30	42214	(003484–)	Fitting, Straight	1
▲ 31	40144–1	(003370–)	Pump, Water (See Braekdowns)	1
▲	40144–4	(003370–)	Oil, Cat Water Pump	1
▲ 32	05178	(003370–)	Plug, Pipe	1
▲ 33	05492	(003370–)	Fitting, Straight	2
▲ 34	40573	(003370–)	Fitting, Straight	1
▲ 35	47636	(003370–)	Fitting, Straight	1
▲ 36	67515	(003370–)	Valve, Relief, Hydraulic	1
▲ 37	51782	(003370–)	Fitting, Elbow	1
▲ 38	51779	(003370–)	Fitting, Tee	1
▲ 39	47662	(003370–)	Hose, Hydraulic	2
▲ 40	53083–14	(003370–)	Hose, Hydraulic	1
▲ 41	46611	(003370–)	Fitting, Elbow	1
▲ 42	75179	(003370–)	Guard, Coupling	1
▲ 43	75181	(003370–)	Mount, Pump, Water	1
▲ 44	39278	(003370–)	Screw, Hex, (50 mm)	2
▲ 45	76570	(003370–)	Screw, Hex, (30 mm)	2
▲ 46	46480	(003370–)	Fitting, Straight	2

OPTIONS

Fig. 12 – High Pressure Sprayer Kit

Ref.	Tennant Part No.	Machine Serial Number	Description	Qty.
▲	47	75199	(003370–) Tube, Hydraulic	1
▲	48	48108A	(003370–) Valve, Shut-off	1
▲	49	48108A-1	(003370–) Knob, Valve	1
▲	50	75184	(003370–) Mount, Valve, Hydraulic	1
▲	51	47498	(003370–004437) Fitting, Elbow	1
▲	52	51809	(003370–004437) Hose, Hydraulic	1
▲	53	40514	(003370–) Fitting, Tee	1
▲	54	75194	(003370–) Decal, Throttle High Pressure Spray	1
▲	55	38321	(003370–) Cover	1
▲	56	63244-3	(003484–) Fitting, Elbow	1
▲	57	02452	(003484–) Hose, Rubber	1
▲	58	47848	(003484–) Hose, Rubber (Cut in 2)	1
▲	59	40145	(003484–) Fitting, Elbow	2
▲▽	60	02450	(003484–) Strainer, Water	1
▲▲	61	02534	(003484–) Screen	1
▲▲	62	02535	(003484–) Gasket	1
▲	63	43246	(003484–) Fitting, Straight	1
▲	64	02449	(003484–) Valve, Water Pressure	1
	65	24584	(003370–) Fitting, Elbow	1
	66	06750	(004438–) Fitting, Straight	1

Fig. 13 – Sludge Removal Tool Assembly, SRS®



00338 – ALL

Ref.	Tennant Part No.	Machine Serial Number	Description	Qty.
▽	79518	(003370–) Tool Assembly, Sludge Removal	1
▲ 1	03292B	(003370–) Grip, Handle	1
▲ 2	79517	(003370–) Handle, Sludge Removal	1
▲ 3	79515	(003370–) Squeegee	1
▲ 4	79508–1	(003370–) Retainer, Squeegee	1

Fig. 14 – Heavy Duty Bumper Kit, SRS®

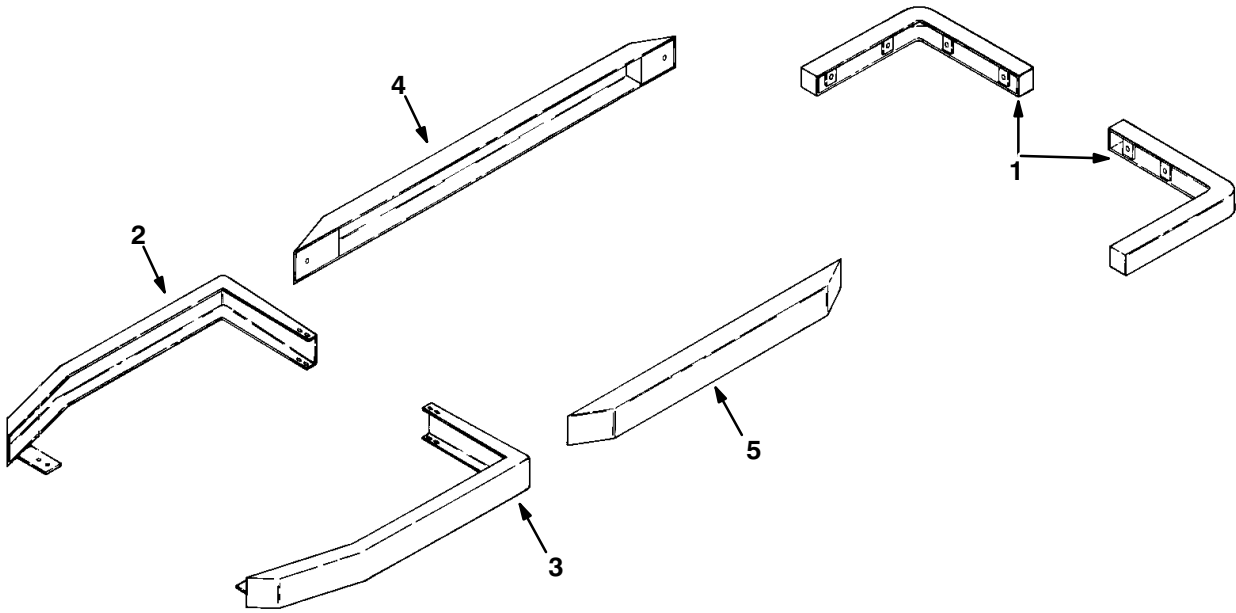
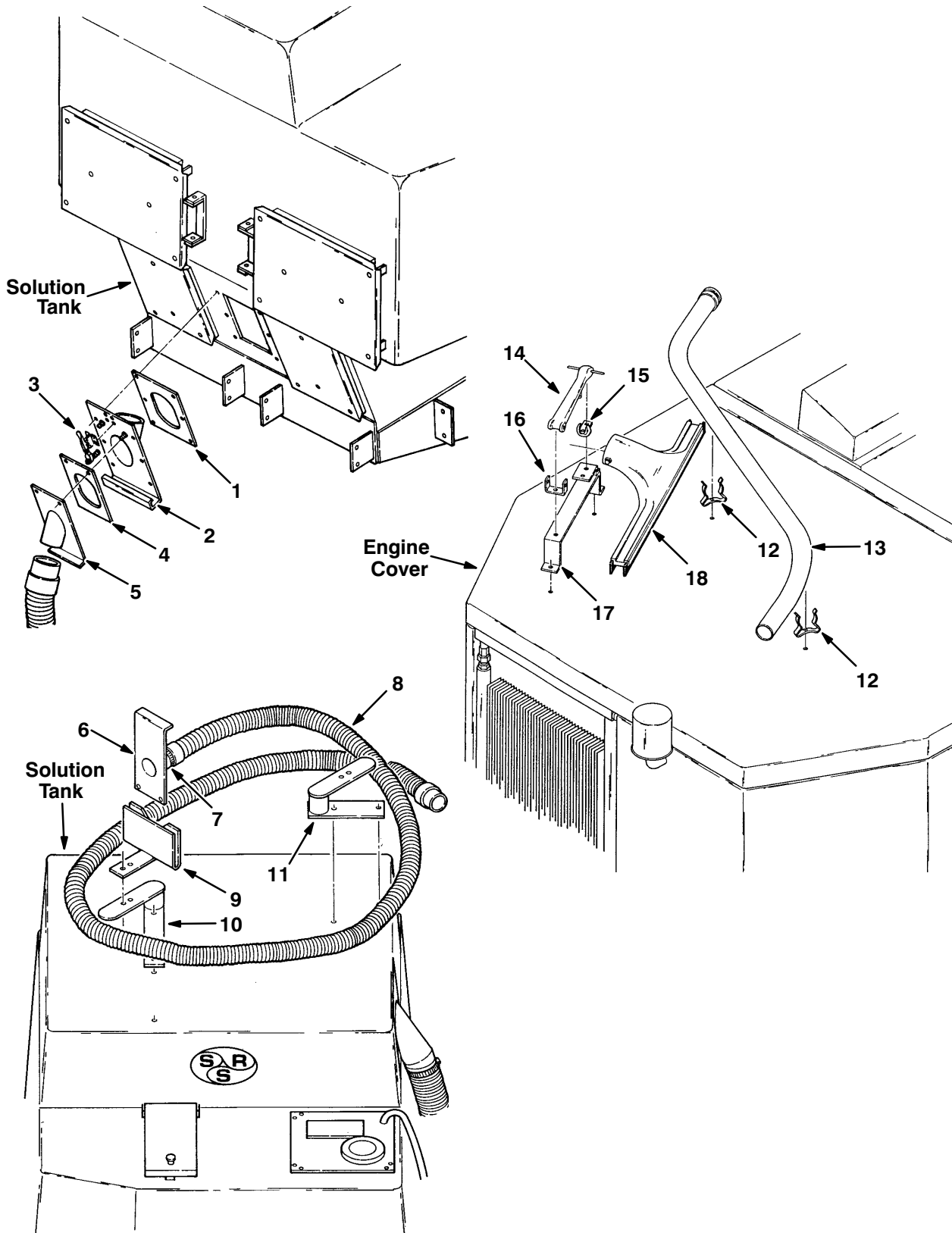


Fig. 14 – Heavy Duty Bumper Kit, SRS®

	Ref.	Tennant Part No.	Machine Serial Number	Description	Qty.
▽		79426	(003370–)	Bumper Kit, Heavy Duty	1
▲	1	75673	(003370–)	Bumper, Scrubber Head	2
▲	2	76880	(003370–)	Bumper, Recovery and Solution Tank, L.H.	1
▲	3	76881	(003370–)	Bumper, Recovery and Solution Tank, R.H.	1
▲	4	78101	(003370–)	Bumper, Tractor, Left Side	1
▲	5	78099	(003370–)	Bumper, Tractor, Right Side	1

Fig. 15 – Squeegee Wand Kit, SRS®



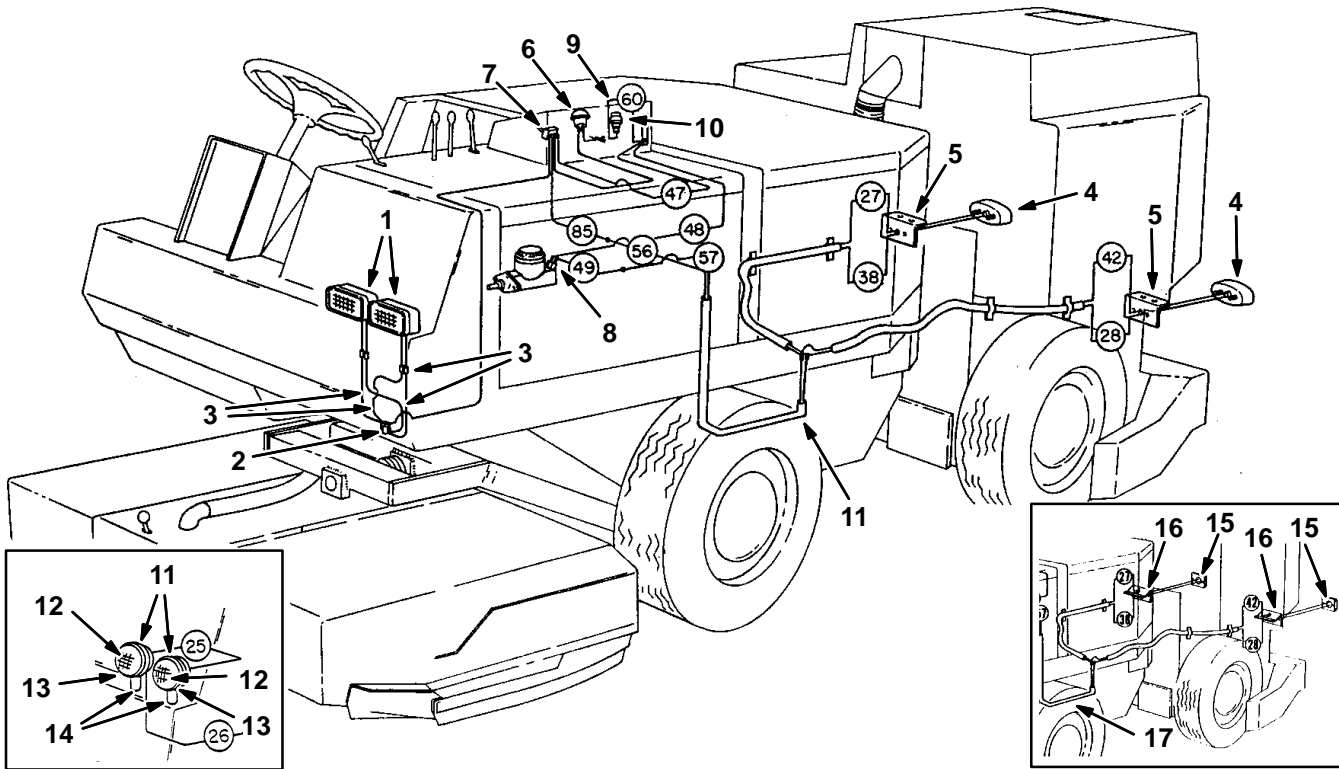
NOTE: To identify parts shown but not listed here, see Section 9, SRS® Parts, or Section 6, Standard Parts.

Fig. 15 – Squeegee Wand Kit, SRS®

	Ref.	Tenant Part No.	Machine Serial Number	Description	Qty.
▽		79429	(003370-) Wand Kit, Squeegee	1
▲	1	79545	(003370-) Gasket, Tank Adaptor	1
▲	2	79538	(003370-) Adaptor, Tank	1
▲	3	03823	(003370-) Clamp, Toggle	1
▲		75128	(003370-) Spindle, Adjusting	1
▲	4	79546	(003370-) Gasket, Wand Adaptor	1
▲	5	79532	(003370-) Adaptor, Squeegee Wand	1
▲	6	79535	(003370-) Adaptor, Vacuum Wand	1
▲	7	14432	(003370-) Clamp, Worm Drive	1
▲	8	75127	(003370-) Hose	1
▲	9	79547	(003370-) Bracket, Adaptor, Storage	1
▲	10	50788	(003370-) Mount, Wand Hose, R.H.	1
▲	12	22473	(003370-) Clip, Finger Grip	2
▲	11	50789	(003370-) Mount, Wand Hose, L.H.	1
▲	13	40171	(003370-) Handle, Nozzle	1
▲	14	75118	(003370-) Hook, Rubber	1
▲	15	40670	(003370-) Catch, Rubber Hook	1
▲	16	40671	(003370-) Bracket, U	1
▲	17	75054	(003370-) Mount, Squeegee	1
▲	18	40173	(003370-) Nozzle	1

OPTIONS

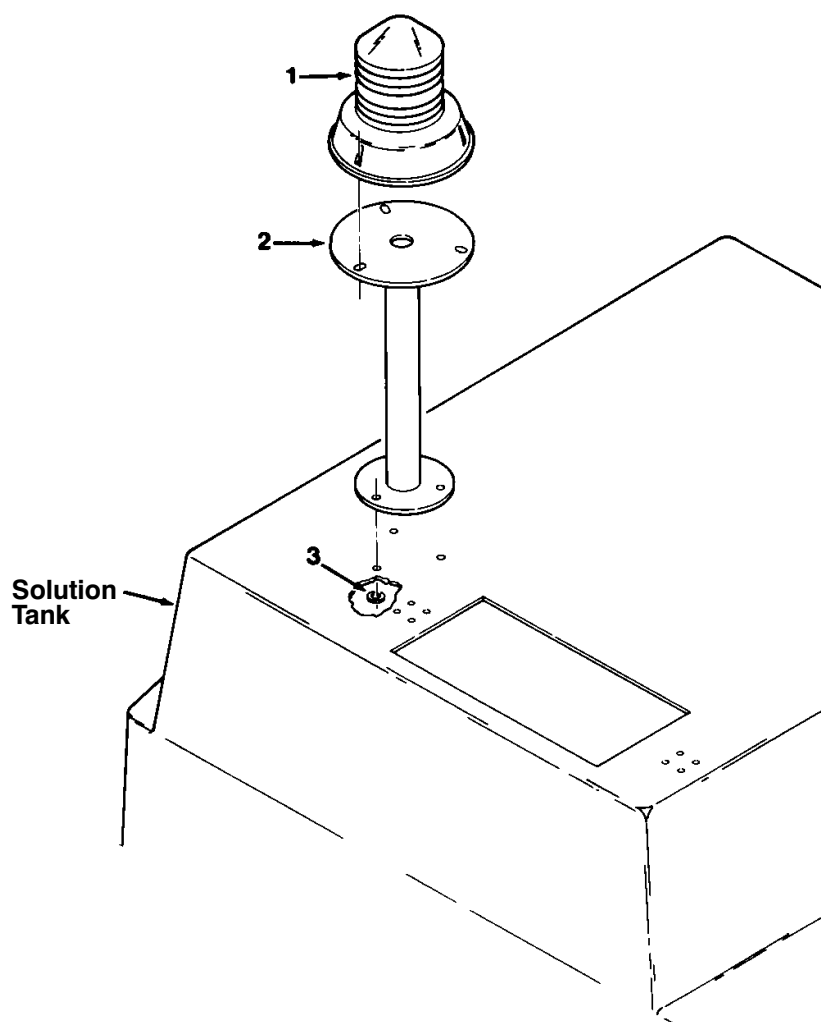
Fig. 16 – Light Kit, SRS®



00828 – 550

Ref.	Tennant Part No.	Machine Serial Number	Description	Qty.
▽	79427	(003370–)	Light Kit, SRS®	1
▲	1 24298	(005290–)	Headlight Assembly	2
▲	2 76062	(005290–)	Insulator	1
▲	3 79102	(005290–)	Wire Assembly, Headlight	2
▲▽	4 51572	(004934–)	Taillight	2
▲▲	45780	(004934–)	Bulb	1
▲	5 49022	(004934–)	Bracket, Taillight	2
▲▽	6 47768	(003370–)	Light, Panel	1
▲▲	24427	(003370–)	Bulb	1
▲	7 10701	(003370–)	Switch, Toggle	1
▲	8 13959	(003370–)	Switch, Brake Light Sending	1
▲	9 07422	(003370–)	Holder, Fuse	1
▲	10 14215	(003370–)	Fuse, 20 A	1
▲	78153	(003370–)	Wire Kit, Operating Lights	1
▲	49266	(003370–)	Tie, Cable	6
▲	11 25183	(004255–)	Wire Harness	1
▲	45339	(003370–)	Terminal, Ring	2
▲	10632–19	(003370–)	Grommet, Rubber	1
	21639	(003370–005289)	Light Kit, Hd–TI/550	1
	12 51570	(003370–005289)	Bulb	1
	13 24227	(003370–005289)	Washer, Dished	2
	14 24142	(003370–005289)	Washer, Spherical	4
▽	15 79439	(003370–004933)	Taillight	2
▲	48211	(003370–004933)	Bulb	1
	61705	(003370–004933)	Gasket, Taillight	2
	16 76877	(003370–004933)	Bracket, Taillight	2
	17 76220	(003370–004254)	Wire Harness	1

Fig. 17 – Flashing Light Kit, SRS®

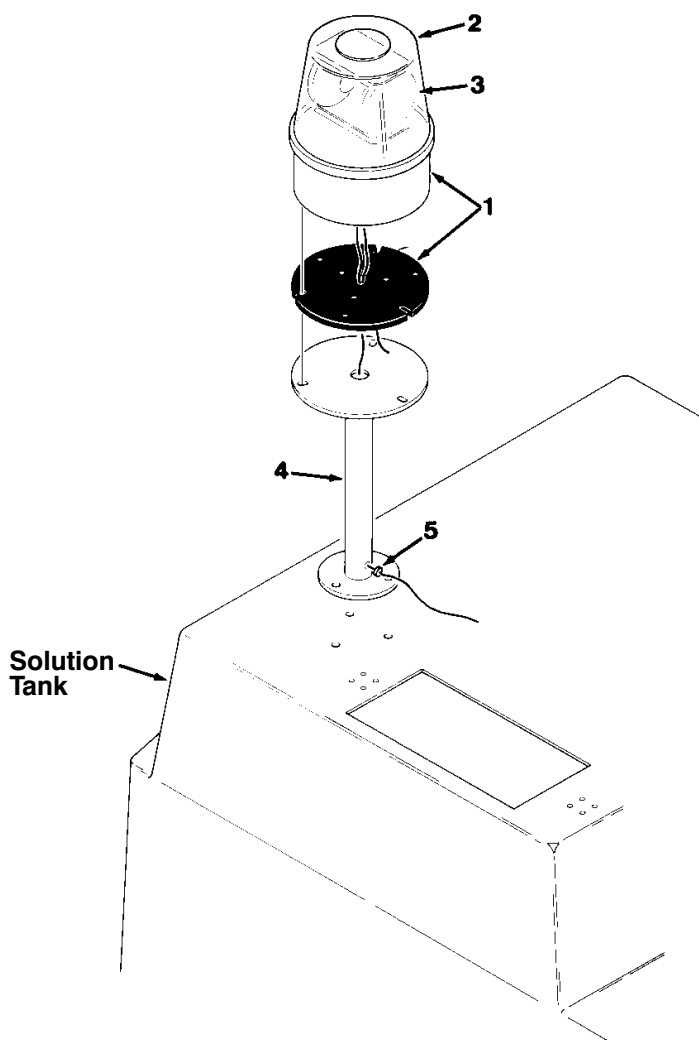


00347 – 550, 1550

Ref.	Tennant Part No.	Machine Serial Number	Description	Qty.
▽	79428	(003370–)	Light Kit, Flashing	1
▲▽ 1	47535	(003370–)	Lamp Assembly, Flashing	1
▲▲	47535–2	(003370–)	Lamp, Flashing	1
▲▲	47535–1	(003370–)	Lens, Lamp, Red	1
▲▲	22640	(003370–)	Bulb	1
▲▲	24576–1	(003370–)	Bracket, Flasher	1
▲▲	24576	(003370–)	Flasher	1
▲ 2	16513	(003370–)	Support, Light	1
▲	79436	(003370–)	Wire Kit	1
▲	10701	(003370–)	Switch	1
▲ 3	76426	(003370–)	Washer, Sealing	3
▽▲	47536	(003370–)	Lamp Assembly, Flashing, Amber	1
▲▲	47536–1	(003370–)	Lens, Lamp, Amber	1
▽▲	47537	(003370–)	Lamp Assembly, Flashing, Blue	1
▲▲	47537–1	(003370–)	Lens, Lamp, Blue	1

NOTE: To identify parts shown but not listed here, see Section 9, SRS® Parts.

Fig. 18 – Revolving Light Group, SRS®

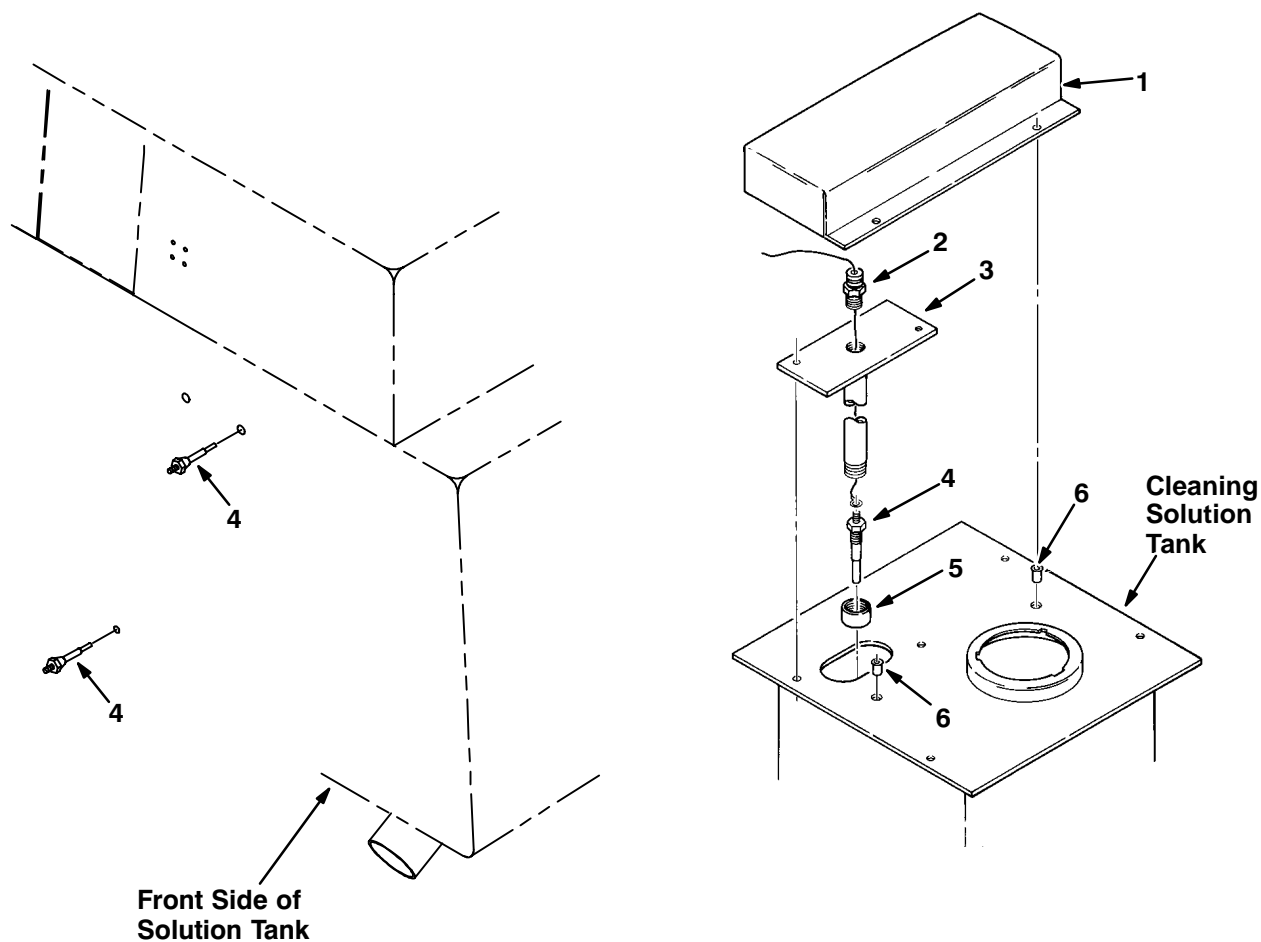


02387 – 550, 1550

Ref.	Tennant Part No.	Machine Serial Number	Description	Qty.
▽	1 16418	(003370–)	Light Assembly, Revolving Red	1
▲	2 16421	(003370–)	Lens, Red	1
▲	3 16511	(003370–)	Bulb	2
	4 31960	(003370–)	Support, 13 in (330mm)	1
	4 60969	(003370–)	Support, 10 in (254mm)	1
	5 46314	(003370–)	Grommet	1
	49262	(003370–)	Clamp, Conduit	5
	10701	(003370–)	Switch, Toggle	1
▽	16419	(003370–)	Light Assembly, Revolving Blue	1
▲	16422	(003370–)	Lens, Blue	1
▲	16511	(003370–)	Bulb	2
▽	16420	(003370–)	Light Assembly, Revolving Amber	1
▲	16423	(003370–)	Lens, Amber	1
▲	16511	(003370–)	Bulb	2

NOTE: To identify parts shown but not listed here, see Section 9, SRS® Parts.

Fig. 19 – Level Warning Light Kit, SRS®

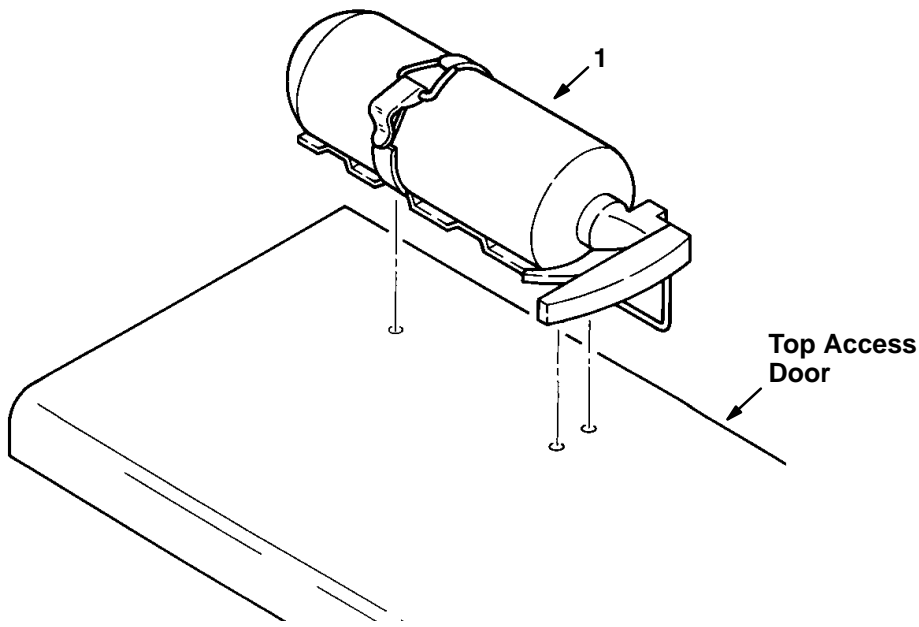


06185-06186-550

Ref.	Tennant Part No.	Machine Serial Number	Description	Qty.
▽	79434	(003370-)	Light Kit, Level Warning	1
▲ 1	03393	(003370-)	Cover, Liquid Level Probe	1
▲ 2	79553	(003370-)	Connector	1
▲ 3	79452	(003370-)	Housing, Probe	1
▲ 4	76089-2	(003370-)	Probe, Liquid Level	3
▲ 5	79451	(003370-)	Fitting, Cap	1
▲ 6	42082	(003370-)	Rivnut	2
▲	64795C-1	(003370-)	Board, P.C.	1
▲	64921	(003370-)	Spacer	4
▲	24592	(003370-)	Screw, Hex, 10 – 24 x 0.75"	4
▲▽	79542	(003370-)	Wire Kit	1
▲▲	79530	(003370-)	Wire Harness	1
▲▲	68222	(003370-)	Pilot Light	3
▲	59984	(003370-)	Fuse, 1 A	1
▲	07422	(003370-)	Holder, Fuse	1
▲	62595-6	(003370-)	Molding, Trim, 7.5" (190 mm)	1
▲	62595-18	(003370-)	Molding, Trim, 3" (75 mm)	1

NOTE: To identify parts shown but not listed here, see Section 9, SRS® Parts.

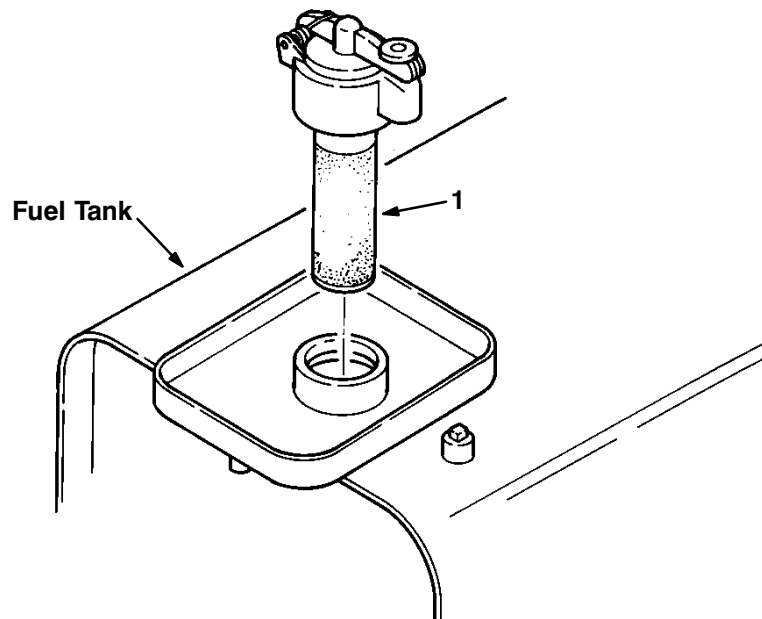
Fig. 20 – Fire Extinguisher Kit



00830 – ALL

Ref.	Tennant Part No.	Machine Serial Number	Description	Qty.
▽	78127	(003370–)	Extinguisher Kit, Fire	1
▲ 1	25312	(003370–)	Extinguisher, Fire	1

Fig. 21 – Protectoseal Gasoline Cap

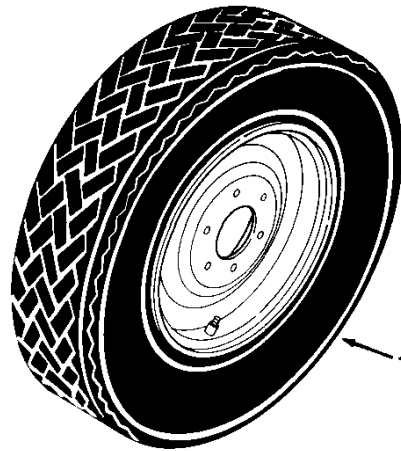


00829 – 550, 1550

Ref.	Tennant Part No.	Machine Serial Number	Description	Qty.
1	02506–6	(003370–)	Cap, Gasoline, Protectoseal	1

NOTE: To identify parts shown but not listed here, see Section 6, Standard Parts.

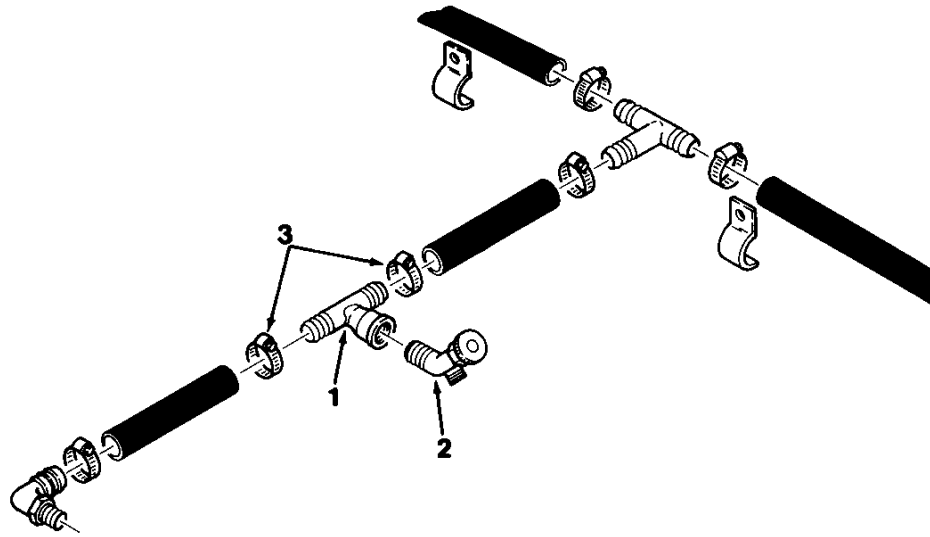
Fig. 22 – Wheel Assembly, Foam Filled



00839 – 550

Ref.	Tennant Part No.	Machine Serial Number	Description	Qty.
1	48912	(003370–) Wheel Assembly, Foam Filled	4

Fig. 23 – Solution Tank Drain Kit

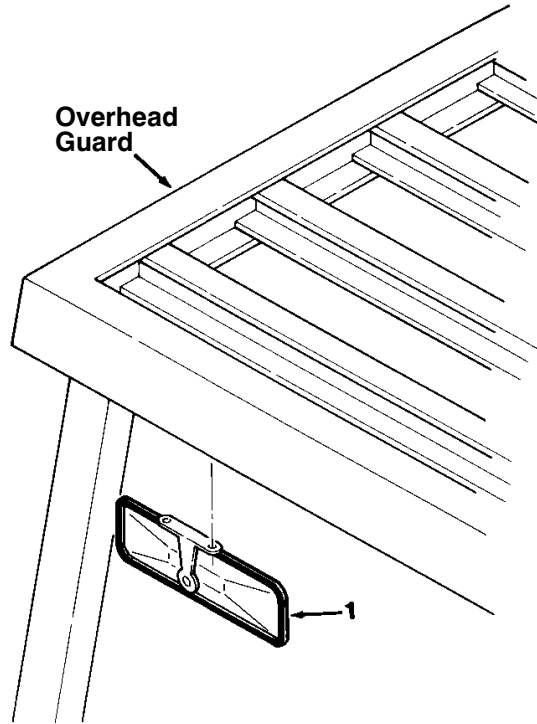


00837 – ALL

Ref.	Tennant Part No.	Machine Serial Number	Description	Qty.
▽	75923	(003370–) Drain Kit, Solution Tank	1
▲ 1	76075	(003370–) Tee	1
▲ 2	76076	(003370–) Valve, Water, Drain	1
▲ 3	11399	(003370–) Clamp, Worm Drive	2

NOTE: To identify parts shown but not listed here, see Section 6, Standard Parts.

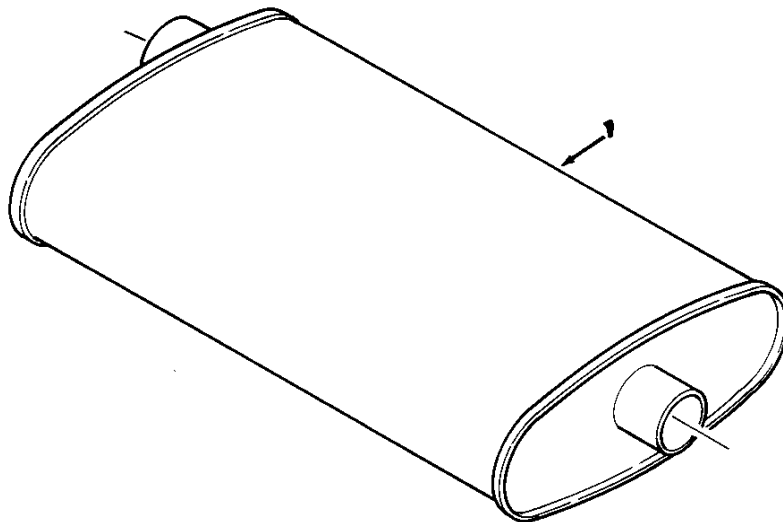
Fig. 24 – Rear View Mirror Kit



00836 – ALL

Ref.	Tennant Part No.	Machine Serial Number	Description	Qty.
▽	78156	(003370–)	Mirror Kit, Rear View	1
▲ 1	76863	(003370–)	Mirror, Rear View	1

Fig. 25 – Spark Arresting Muffler Kit



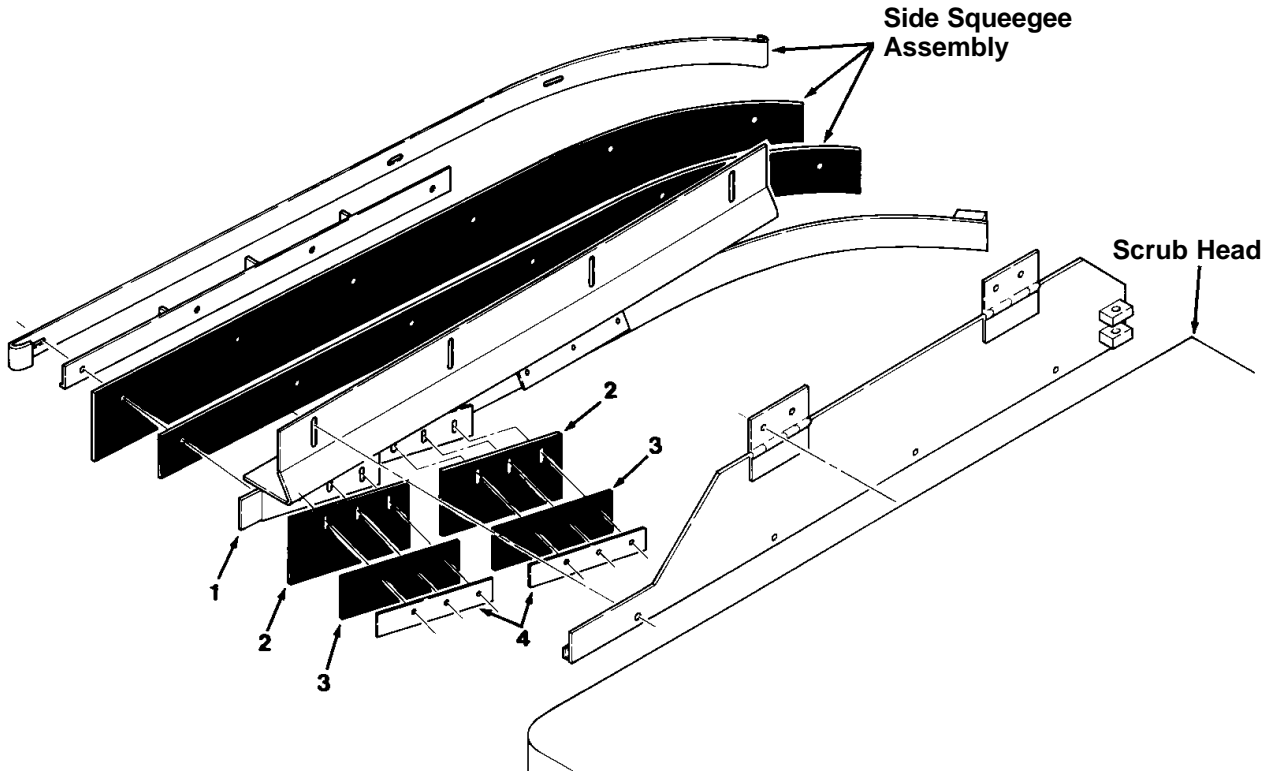
00303 – 550, 1550

Ref.	Tennant Part No.	Machine Serial Number	Description	Qty.
1	78116	(003370–)	Muffler, Spark Arresting	1

Fig. 26 – Recovery Level Warning Light Kit

Ref.	Tennant Part No.	Machine Serial Number	Description	Qty.
▽	78159	(003370–) Light Kit, Recovery Level Warning	1
▲	64795A	(003370–) P.C. Board, Level Sensing	1
▲	64921	(003370–) Spacer, P.C. Board	4
▲	24592	(003370–) Screw, Hex	4
▲	68222	(003370–) Light, Pilot	1
▲▽	76090	(003370–) Wire Kit	1
▲▲	76155	(003370–) Wire Harness	1
▲	76089–2	(003370–) Probe, Liquid Level	1
▲	59984	(003370–) Fuse, 1 A	1
▲	07422	(003370–) Holder, Fuse, (Panel Mount)	1

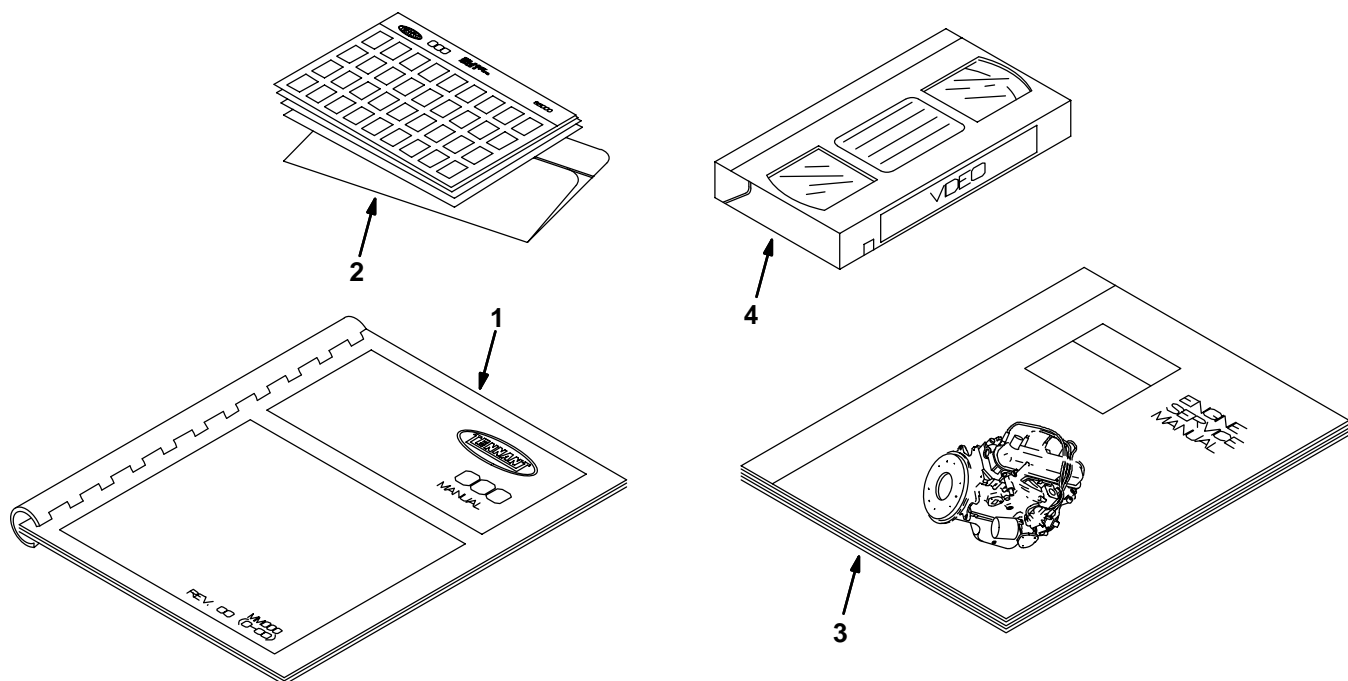
Fig. 27 – Side Squeegees Extension Kit



03874 – ALL

Ref.	Tennant Part No.	Machine Serial Number	Description	Qty.
▽	04595	(000000–) Extension Kit, Side Squeegees	1
▲ 1	04598	(000000–) Frame, Side Squeegee, R.H.	1
▲ 2	03395	(000000–) Blade, Squeegee	4
▲ 3	03409	(000000–) Strip, Backup	4
▲ 4	03408	(000000–) Retainer, Blade	4
▲	04597	(000000–) Frame, Side Squeegee, L.H.	1

Fig. 28 – Documentation Group



07501 – 550, NA

Ref.	Tennant Part No.	Machine Serial Number	Description	Qty.
1	MM148	(000000–)	Manual Pkg, 550	1
2	85148	(000000–)	Manual Fiche, 550	1
3	34792	(000000–)	Manual, Engine, Continental, TM27–D	1
4	10397	(000000–)	Video, Operator, 550	1

SECTION 11

CONTENTS	PAGE
Fig. 1 – High Pressure Spray Pump Breakdown	11-2
Fig. 2 – Solution Pump Breakdown, 79614	11-4
Fig. 3 – Solution Pump Breakdown, 03838	11-5
Fig. 4 – Solution Pump Breakdown, 33327	11-6
Fig. 5 – Metering Solution Pump Breakdown, 16485	11-7
Fig. 6 – Hydraulic Pump Breakdown, 47915	11-8
Fig. 7 – Hydraulic Pump Breakdown, 34310	11-9
Fig. 8 – Hydraulic Piston Pump Breakdown, 74163	11-10
Fig. 9 – Hydraulic Piston Pump Breakdown, 74163	11-12
Fig. 10 – Manual Control Breakdown, 74273	11-14
Fig. 11 – Hydraulic Motor Breakdown, 48663	11-16
Fig. 12 – Hydraulic Motor Breakdown, 74162	11-18
Fig. 13 – Hydraulic Motor Breakdown, 22604	11-20
Fig. 14 – Hydraulic Pump Breakdown, 48880	11-22
Fig. 15 – Hydraulic Motor Breakdown, 27792	11-23
Fig. 16 – Hydraulic Motor Breakdown, 61489	11-24
Fig. 17 – Hydraulic Steering Valve Breakdown, 57982	11-25
Fig. 18 – Hydraulic Steering Valve Breakdown, 74176	11-26
Fig. 19 – Hydraulic Solenoid Valve Breakdown, 31575	11-27
Fig. 20 – Hydraulic Valve Breakdown, 32761	11-28
Fig. 21 – Hydraulic Flow Switch Breakdown, 31556	11-29
Fig. 22 – Hydraulic Cylinder Breakdown, 04431	11-30
Fig. 23 – Hydraulic Valve Breakdown, 48108A	11-31
Fig. 24 – Hydraulic Motor Breakdown, 75185	11-32

Fig. 1 – High Pressure Spray Pump Breakdown

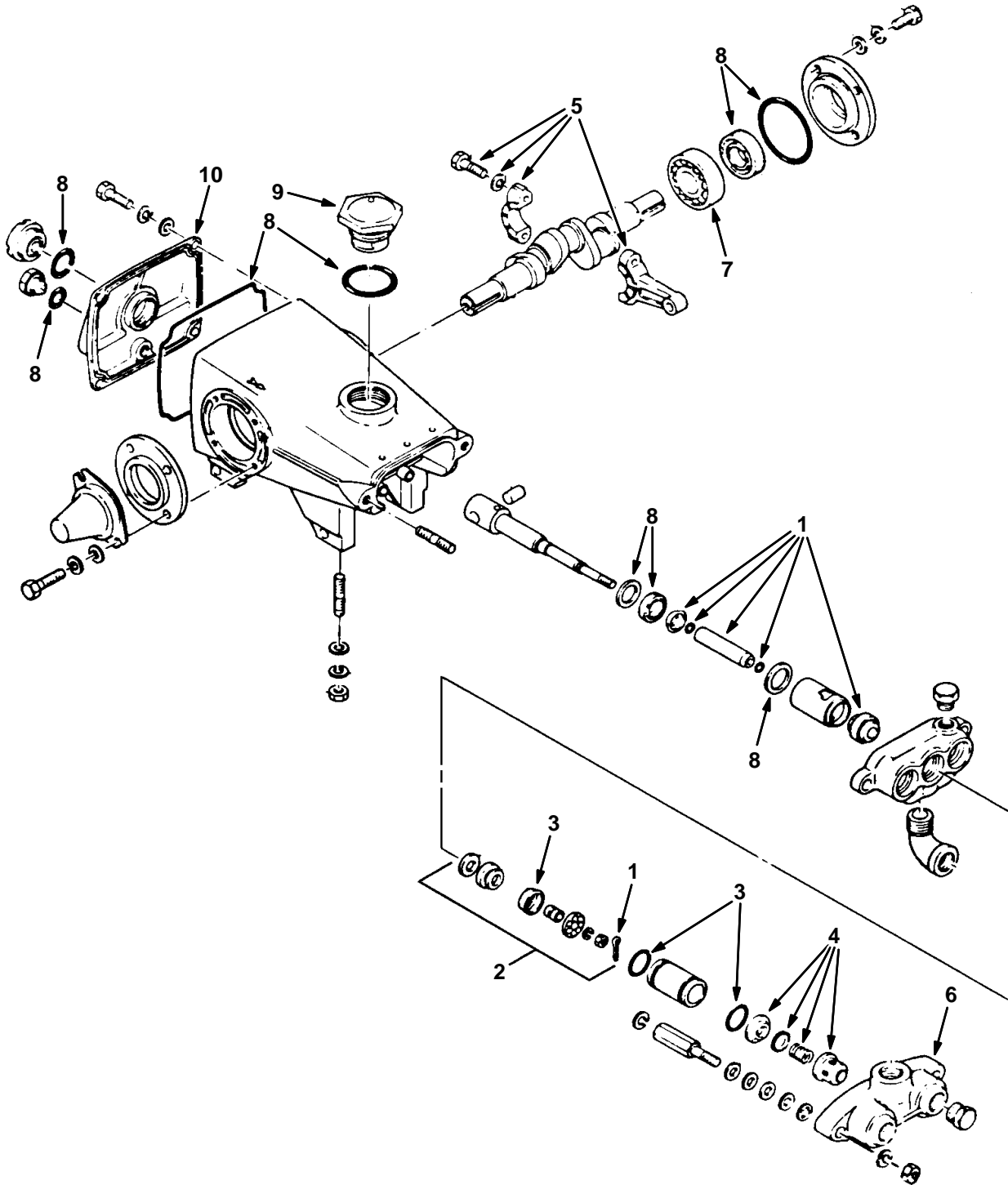
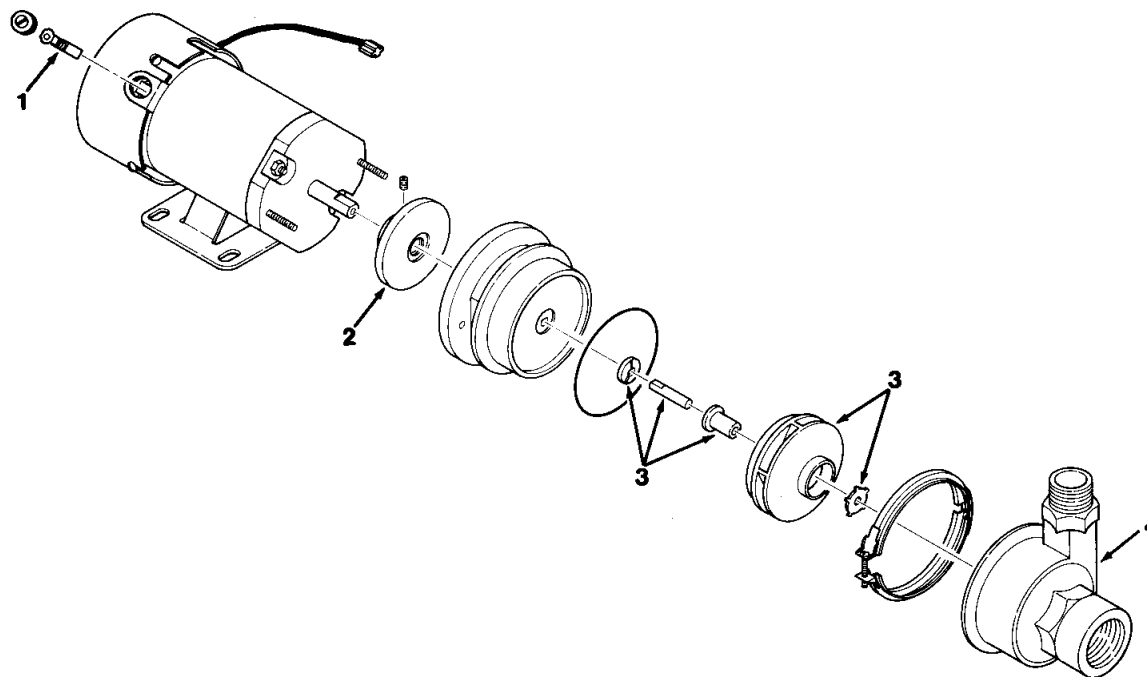


Fig. 1 – High Pressure Spray Pump Breakdown, 40144–1

	Tennant Ref. Part No.	Manufacturer Serial Number	Description	Qty.
▽	40144–1	(000000–) Sprayer, High Pressure	1
▲	40144–4	(000000–) Oil, Cat Pump	1
▲	1 38595	(000000–) Sleeve and Seal Kit	1
▲	2 40144–20	(000000–) Piston Kit	1
▲	3 40144–21	(000000–) Cup Kit, Short	1
▲	4 40144–22	(000000–) Valve Kit, Discharge	1
▲	5 37572	(000000–) Rod, Connecting	3
▲	6 37778	(000000–) Manifold, Discharge	1
▲	7 02582	(000000–) Bearing, Ball	2
▲	8 02583	(000000–) Seal Kit	1
▲	9 37573	(000000–) Cap, Oil Filler	1
▲	10 38321	(000000–) Pump Cover	1
▲	40144–6	(000000–) Key	1

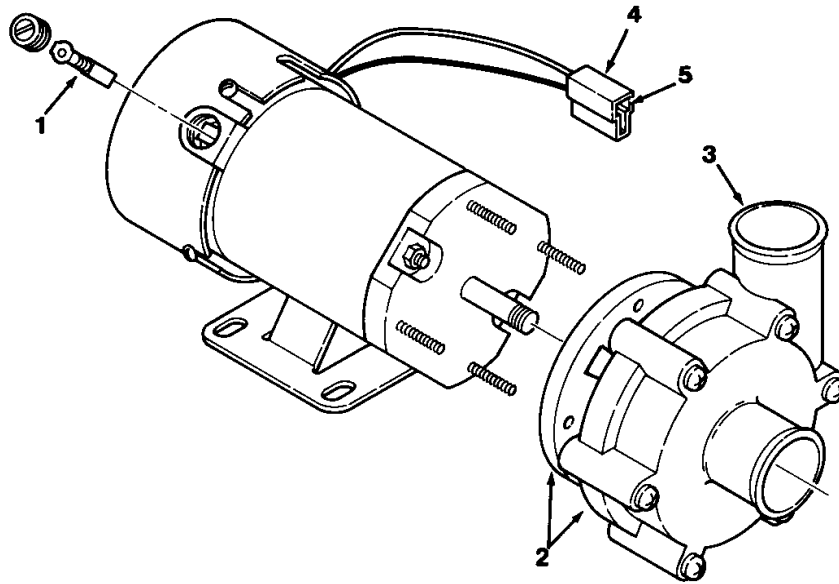
Fig. 2 – Solution Pump Breakdown, 79614



02123 – 550

Ref.	Tennant Part No.	Manufacturer Serial Number	Description	Qty.
▽	79614	(000000–)	Pump, Solution	1
▲ 1	SK2498	(000000–)	Replacement Kit, Brush	1
▲ 2	SK2500	(000000–)	Hub and Magnet Kit	1
▲ 3	SK2499	(000000–)	Impeller Shaft and Bearing Kit	1
▲ 4	38715	(000000–)	Housing	1

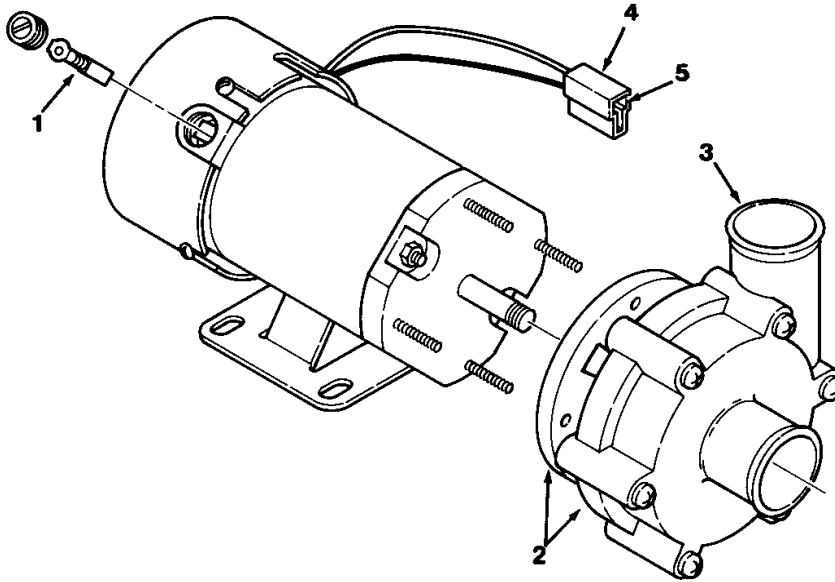
Fig. 3 – Solution Pump Breakdown, 03838



06963 – 550

	Ref.	Tennant Part No.	Manufacturer Serial Number	Description	Qty.
▽		03838	(000000–)	Pump Assembly, Solution	1
▲	1	SK2498	(000000–)	Replacement Kit, Brush	1
▲▽	2	03711	(000000–)	Replacement Kit, Pump Head	1
▲▲	3	33308	(000000–)	Replacement Kit, Pump Body	1
▲	4	51406	(000000–)	Connector	1
▲	5	51416	(000000–)	Terminal, Male	2

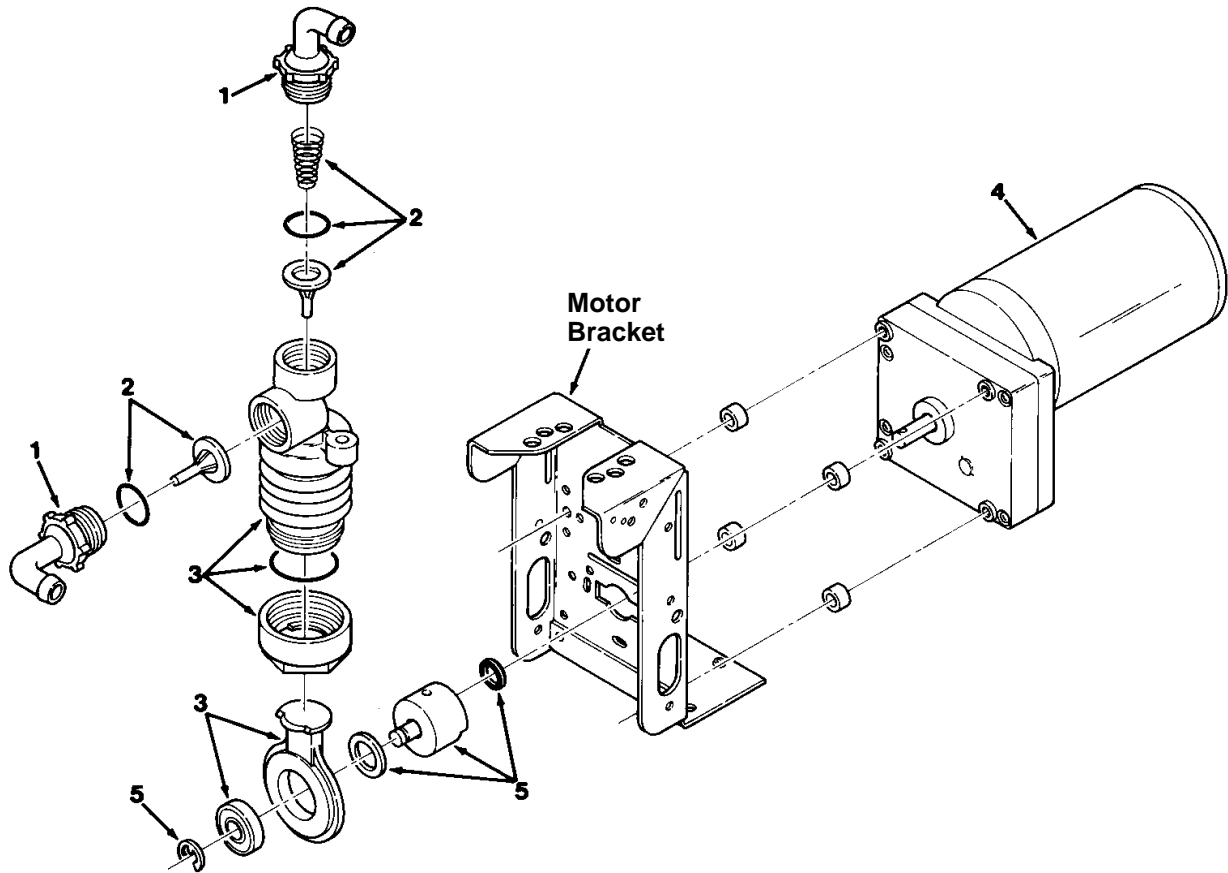
Fig. 4 – Solution Pump Breakdown, 33327



06963 – 550, 1550

Ref.	Tennant Part No.	Manufacturer Serial Number	Description	Qty.
▽	33327	(000000–)	Pump Assembly, Solution	1
▲	1 48791	(000000–)	Replacement Kit, Brush	1
▲	2 03711	(000000–)	Replacement Kit, Pump Head	1
▲	3 48789	(000000–)	Replacement Kit, Pump Body	1
▲	4 51406	(000000–)	Connector	1
▲	5 51416	(000000–)	Terminal, Male	2

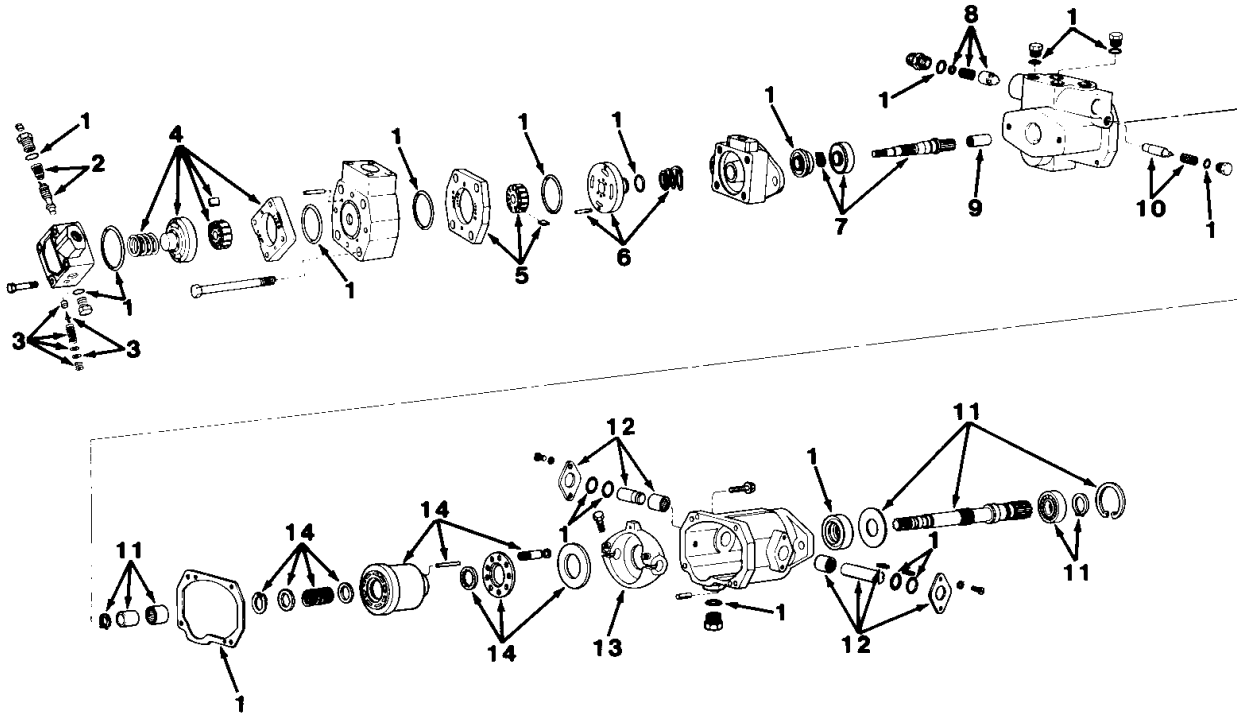
Fig. 5 – Metering Solution Pump Breakdown, 16485



00112 – ALL

Ref.	Tennant Part No.	Manufacturer Serial Number	Description	Qty.
▽	16485	(000000–)	Pump, Metering Solution	1
▲	1 63923	(000000–)	Connector Kit, Tubing	1
▲	2 21660	(000000–)	Valve Kit, Pump	1
▲	3 21661	(000000–)	Replacement Kit, Bellows	1
▲	4 63924	(000000–)	Motor, Gear	1
▲	5 02430	(000000–)	Crank Replacement Kit	1

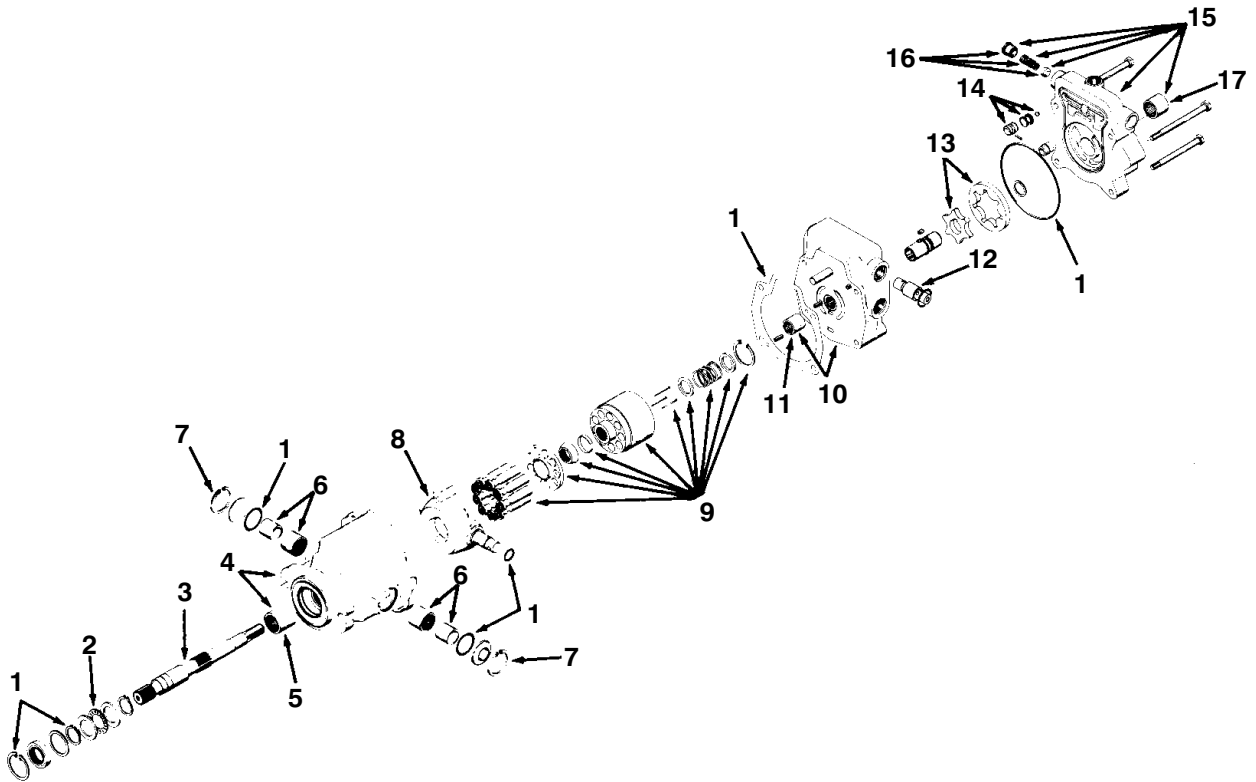
Fig. 6 – Hydraulic Pump Breakdown, 47915



02377 – 550, 1550

Ref.	Tennant Part No.	Manufacturer Serial Number	Description	Qty.
▽	47915	(000000–)	Pump, Hydraulic	1
▲	1	SK1450	(000000–) Seal Kit	1
▲▽	40726	(000000–)	Pump (Replaced by none)	1
▲▲	2	02445	(000000–) Priority Valve Assembly	1
▲▲	3	02444	(000000–) Relief Valve Assembly	1
▲▲	4	02443	(000000–) Cartridge Kit, Cover End	1
▲▲	5	02441	(000000–) Cartridge Kit	1
▲▲	6	02442	(000000–) Valve Plate Assembly	1
▲▲	7	02440	(000000–) Shaft Kit	1
▲▽	38446	(000000–)	Pump	1
▲▲	8	02437	(000000–) Charge Relief Kit	1
▲▲	9	02439	(000000–) Coupling	1
▲▲	10	02438	(000000–) Replenishing Valve Assembly	2
▲▲	11	02435	(000000–) Shaft Kit	1
▲▲	12	02436	(000000–) Pintle Kit, (Replaced by none)	1
▲▲	13	02434	(000000–) Yoke	1
▲▲	14	02433	(000000–) Rotating Group Kit	1

Fig. 7 – Hydraulic Pump Breakdown, 34310



03620 – 550, 1550

Ref.	Tennant Part No.	Manufacturer Serial Number	Description	Qty.
▽	34310	(000000–)	Pump, Hydraulic	1
▲	1 34092	(000000–)	Seal Kit	1
▲	2 37467	(000000–)	Bearing, Thrust	1
▲	3 34094	(000000–)	Shaft	1
▲▽	4 37453	(000000–)	Housing Assembly, Pump	1
▲▲	5 37462	(000000–)	Bearing	1
▲	6 34097	(000000–)	Bearing	2
▲	7 55926	(000000–)	Ring, Retaining	2
▲	8 37451	(000000–)	Plate, Cam	1
▲	9 37450	(000000–)	Piston Block Assembly	1
▲▽	10 34158	(000000–)	Housing Assembly, Relief	1
▲▲	11 34159	(000000–)	Bearing	1
▲	12 34160	(000000–)	Valve, Relief	2
▲	13 34161	(000000–)	Pump Kit, Charge	1
▲	14 SK2586	(000000–)	Valve Assembly, Check	1
▲▽	15 34162	(000000–)	Adaptor Assembly	1
▲▲	16 55936	(000000–)	Valve Assembly, Relief (Includes Bearing)	1
▲▲	17 55929	(000000–)	Bearing	1

Fig. 8 – Hydraulic Piston Pump Breakdown, 74163

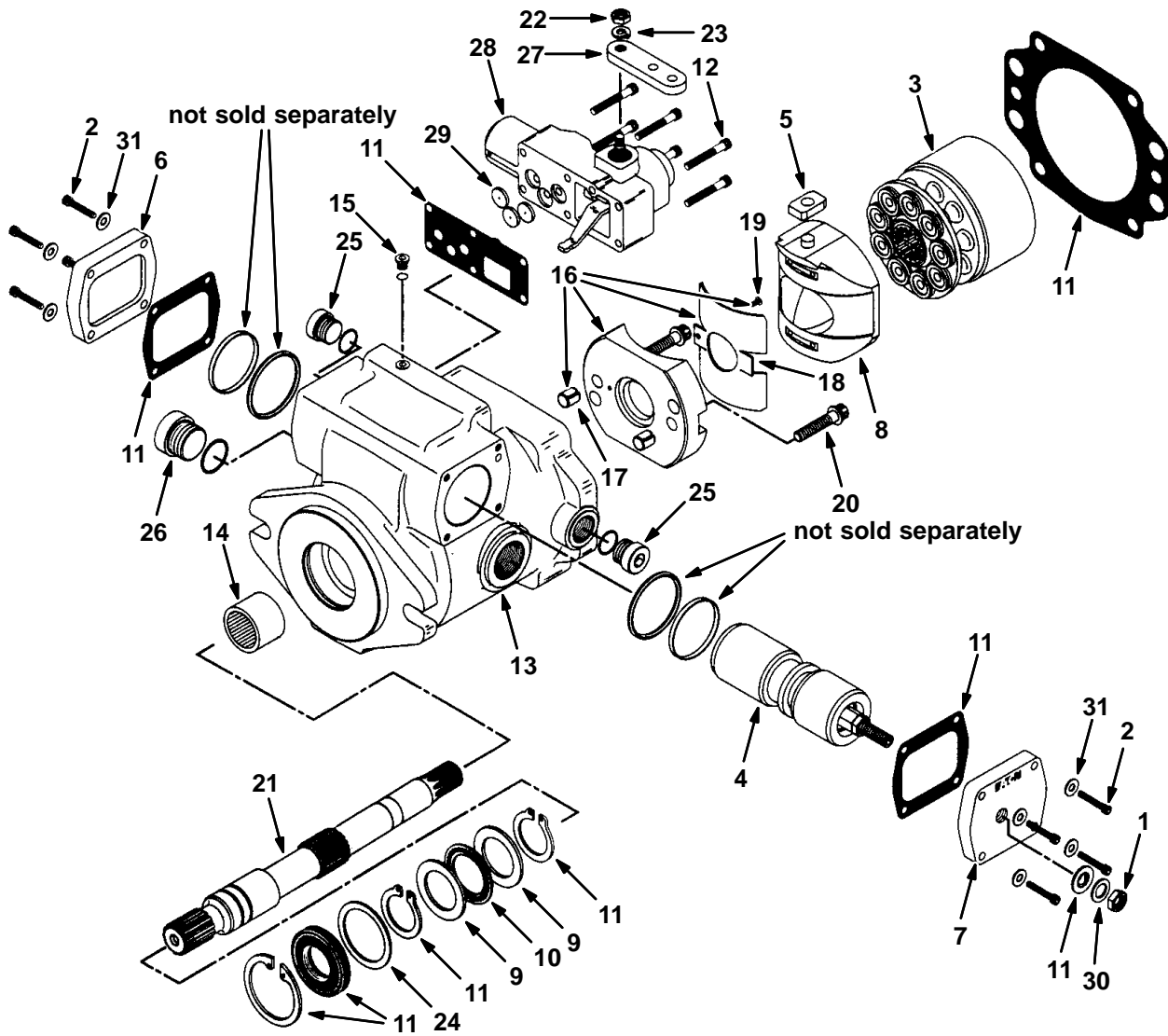


Fig. 8 – Hydraulic Piston Pump Breakdown, 74163

NOTE: Piston Pump, TENNANT Part Number 74163, includes Fig. 8, and Fig. 9.

Ref.	Tennant Part No.	Manufacturer Serial Number	Description	Qty.
▽	74163	(000000–)	Pump, Hyd Piston V 2.48	1
▲	1 74184	(000000–)	Nut, Jam	1
▲	2 74223	(000000–)	Screw, Cap	8
▲	3 61882	(000000–)	Rotating Kit	1
▲	4 74253	(000000–)	Piston, Servo	1
▲	5 74254	(000000–)	Follower, Piston	1
▲	6 74256	(000000–)	Plate, Cover	1
▲	7 74257	(000000–)	Plate, Cover	1
▲	8 74258	(000000–)	Camplate S/A	1
▲	9 74240	(000000–)	Race, Bearing	2
▲	10 74210	(000000–)	Bearing	1
▲	11 74283	(000000–)	Seal Kit, Pump	1
▲	12 74262	(000000–)	Screw, Cap	6
▲▽	74263	(000000–)	Housing S/A	1
▲▲	13 79771	(000000–)	Housing	1
▲▲	14 37462	(000000–)	Bearing	1
▲▲	15 79742	(000000–)	Plug S/A	1
▲▽	16 79743	(000000–)	Cradle Sub Assy	1
▲▲	17 79744	(000000–)	Dowel Bushing	2
▲▲	18 79745	(000000–)	Bushing	1
▲▲	19 79746	(000000–)	Cap Screw	1
▲▲	20 79747	(000000–)	Cap Screw	2
▲	21 74265	(000000–)	Shaft, Drive Sp	1
▲	22 74266	(000000–)	Nut	1
▲	23 74267	(000000–)	Lockwasher	1
▲	24 37460	(000000–)	Washer	1
▲	25 13907	(000000–)	Plug #8	2
▲	26 79779	(000000–)	Plug,#12 O–Ring Ph	1
▲	27 74272	(000000–)	Arm, Control	1
▲	28 74273	(000000–)	Control, Manual (See Breakdown)	1
▲	29 74276	(000000–)	Orifice, Valve	1
▲	30 74280	(000000–)	Washer	1
▲	31 74281	(000000–)	Washer	8

Fig. 9 – Hydraulic Piston Pump Breakdown, 74163

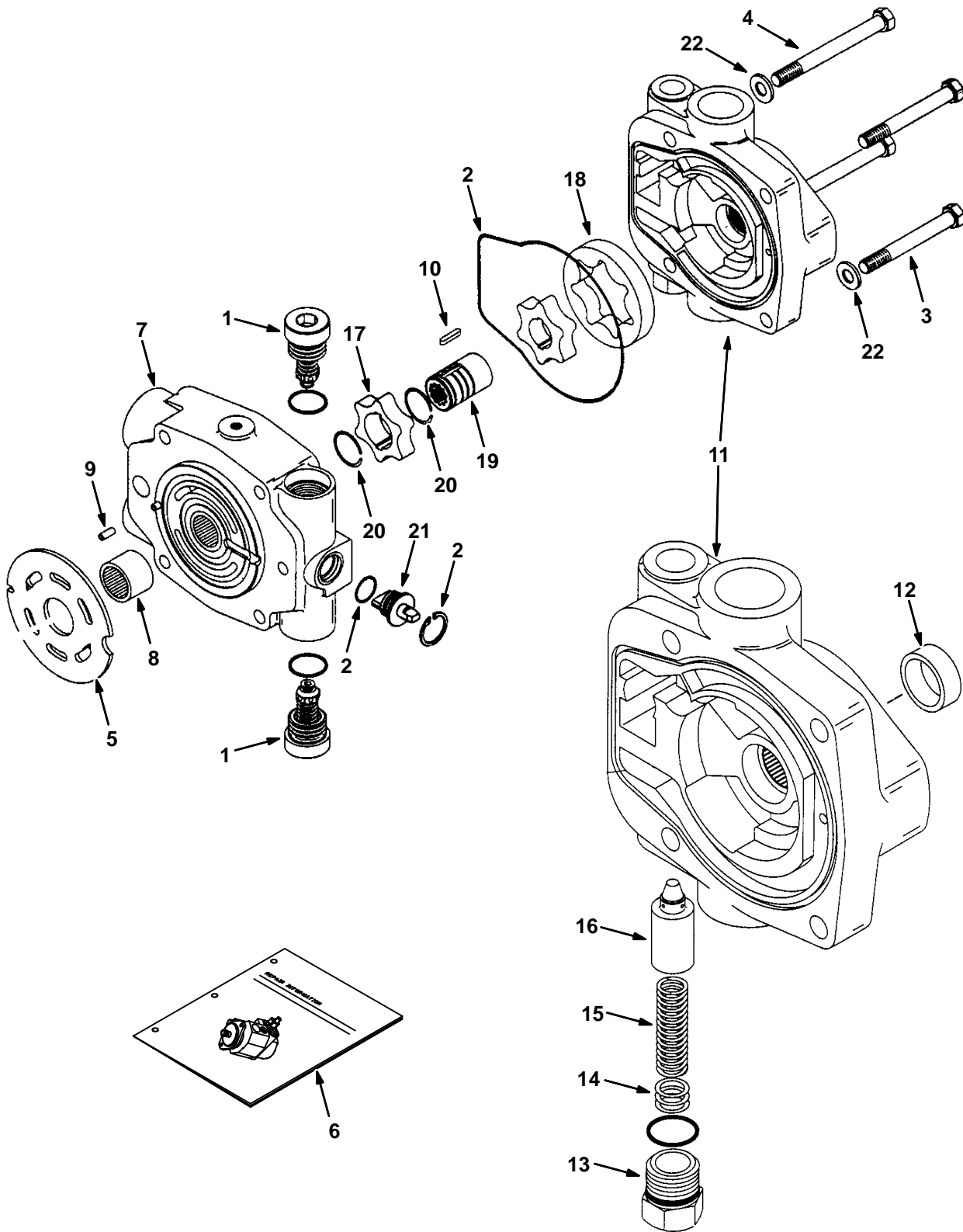


Fig. 9 – Hydraulic Piston Pump Breakdown, 74163

NOTE: Piston Pump, TENNANT Part Number 74163, includes Fig. 8, and Fig. 9.

	Ref.	Tennant Part No.	Manufacturer Serial Number	Description	Qty.
▽		74163	(000000–)	Pump, Hyd Piston V 2.48	1
▲	1	74259	(000000–)	Relief Valve Sa	2
▲	2	74283	(000000–)	Seal Kit, Pump	1
▲	3	74260	(000000–)	Screw, Cap	2
▲	4	74261	(000000–)	Screw, Cap	2
▲	5	61886	(000000–)	Valve Plate	1
▲	6	79708	(000000–)	Repair Info,Pmp	1
▲▽	7	74264	(000000–)	Backplate S/A	1
▲▲	8	34159	(000000–)	Bearing	1
▲▲	9	79748	(000000–)	Roll Pin	1
▲	10	74270	(000000–)	Key	1
▲▽	11	74271	(000000–)	Charge Pmp Adap	1
▲▲	12	79749	(000000–)	Bushing	1
▲▲	13	79750	(000000–)	Plug	1
▲▲	14	79751	(000000–)	Shims	1
▲▲	15	79752	(000000–)	Spring	1
▲▲	16	79753	(000000–)	Poppet	1
▲	17	74274	(000000–)	Geroter,Ring In	1
▲	18	74275	(000000–)	Geroter,Ring Ot	1
▲	19	74277	(000000–)	Coupler	1
▲	20	74278	(000000–)	Ring, Retaining	2
▲	21	74279	(000000–)	Actuator, Valve	1
▲	22	74282	(000000–)	Washer	4

Fig. 10 – Manual Control Breakdown, 74273

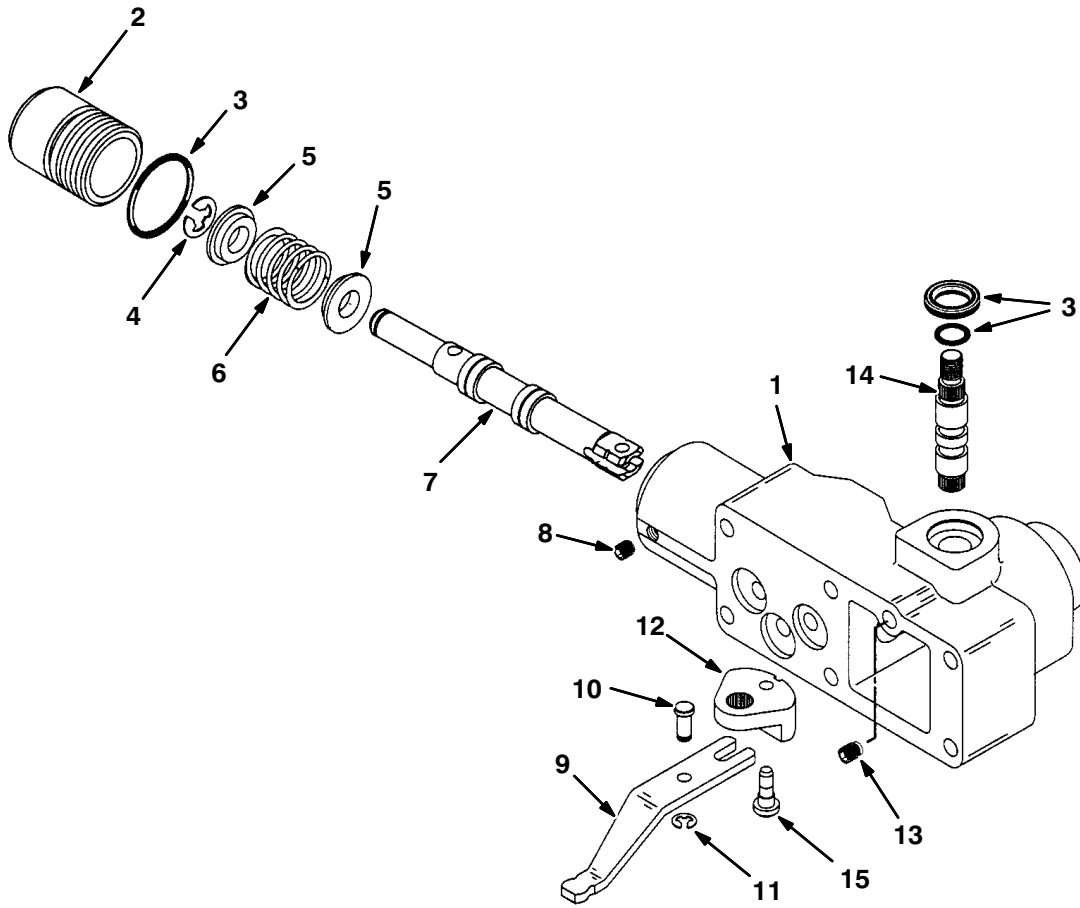


Fig. 10 – Manual Control Breakdown, 74273

	Ref.	Tenant Part No.	Manufacturer Serial Number	Description	Qty.
▽		74273	(000000–)	Control, Manual	1
▲	1	79754	(000000–)	Housing,Control	1
▲	2	79755	(000000–)	Plug	1
▲	3	79776	(000000–)	Seal Kit,Cntrl	1
▲	4	79756	(000000–)	Ring, Retaining	1
▲	5	79757	(000000–)	Spring,Retainer	2
▲	6	79758	(000000–)	Spring, Cntr	1
▲	7	79759	(000000–)	Valve Spool	1
▲	8	79760	(000000–)	Screw, Set	1
▲	9	79761	(000000–)	Link, Feedback	1
▲	10	79762	(000000–)	Dowel Pin	1
▲	11	79763	(000000–)	Ring, Retaining	1
▲	12	79764	(000000–)	Bell Crank	1
▲	13	79765	(000000–)	Screw, Set	1
▲	14	79766	(000000–)	Shaft, Input	1
▲	15	79767	(000000–)	Pin, Headed	1

Fig. 11 – Hydraulic Motor Breakdown, 48663

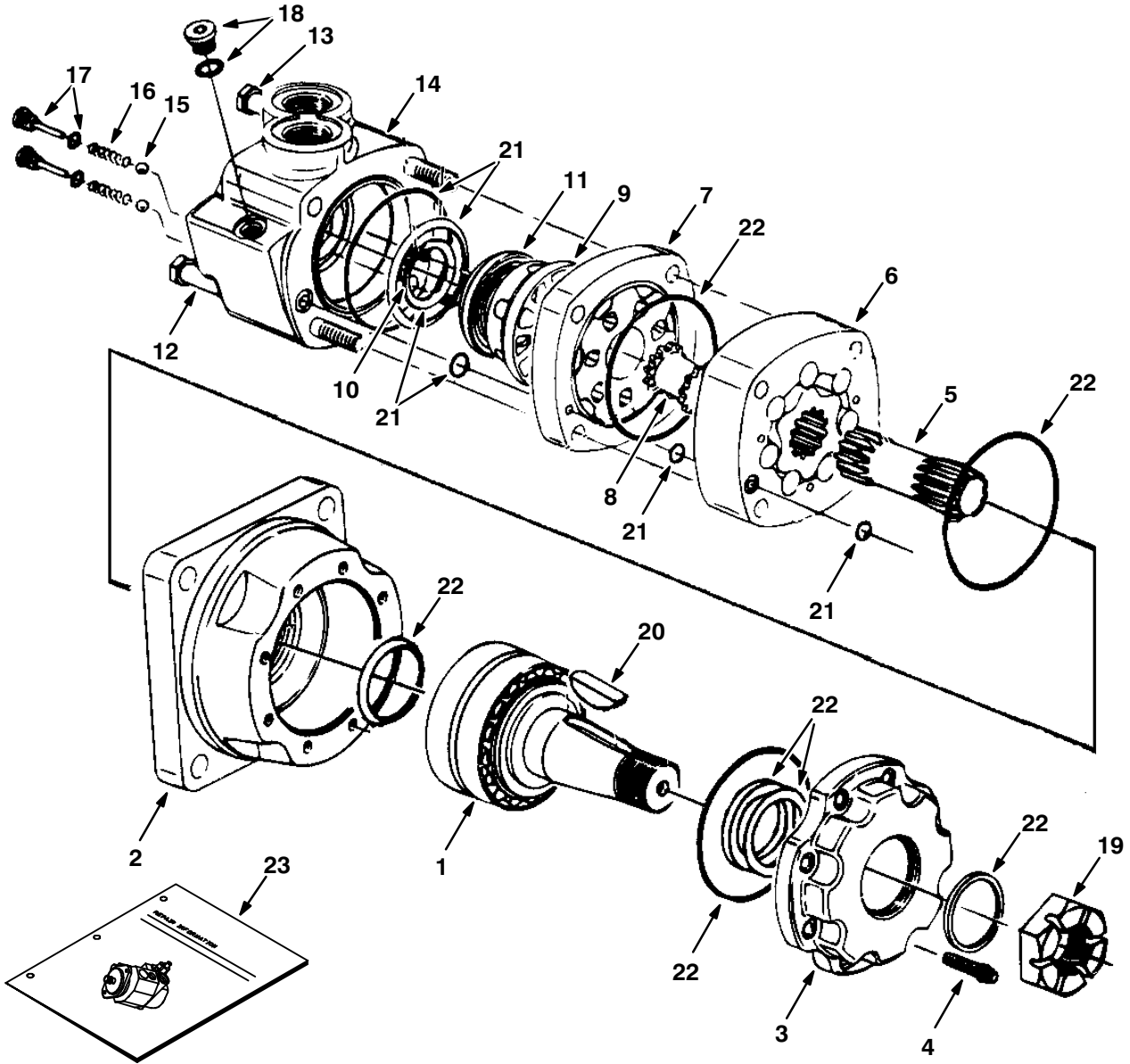


Fig. 11 – Hydraulic Motor Breakdown, 48663

Ref.	Tenant Part No.	Manufacturer Serial Number	Description	Qty.
▽	48663	(000000-) Motor, Hyd Gear In 19.0	1
▲	1 33694	(000000-) Shaft, Assy Cl	1
▲	2 74121	(000000-) Housing, Brg Cl	1
▲	3 37955	(000000-) Retainer, Frt Cl	1
▲	4 74168	(000000-) Screw, Cap Cl	8
▲	5 37616	(000000-) Drive	1
▲	6 37756	(000000-) Geroler	1
▲	7 74122	(000000-) Plate, Valve	1
▲	8 52405	(000000-) Valve	1
▲	9 74123	(000000-) Valve Cl	1
▲	10 34178	(000000-) Spring	2
▲	11 38968	(000000-) Ring	1
▲	12 74125	(000000-) Bolt Cl	3
▲	13 38255	(000000-) Bolt	1
▲	14 74124	(000000-) Housing, Assy Cl	1
▲	15 37766	(000000-) Ball	2
▲	16 34179	(000000-) Spring	2
▲	17 74137	(000000-) Plug Assembly Cl	2
▲	18 74098	(000000-) Plug Assembly Ph	1
▲	19 45622	(000000-) Nut	1
▲	20 45623	(000000-) Key	1
▲	21 33580	(000000-) Seal Kit, Rear	1
▲	22 33579	(000000-) Seal Kit, Shaft Cl	1
▲	23 74249	(000000-) Repair Info. Cl	1

Fig. 12 – Hydraulic Motor Breakdown, 74162

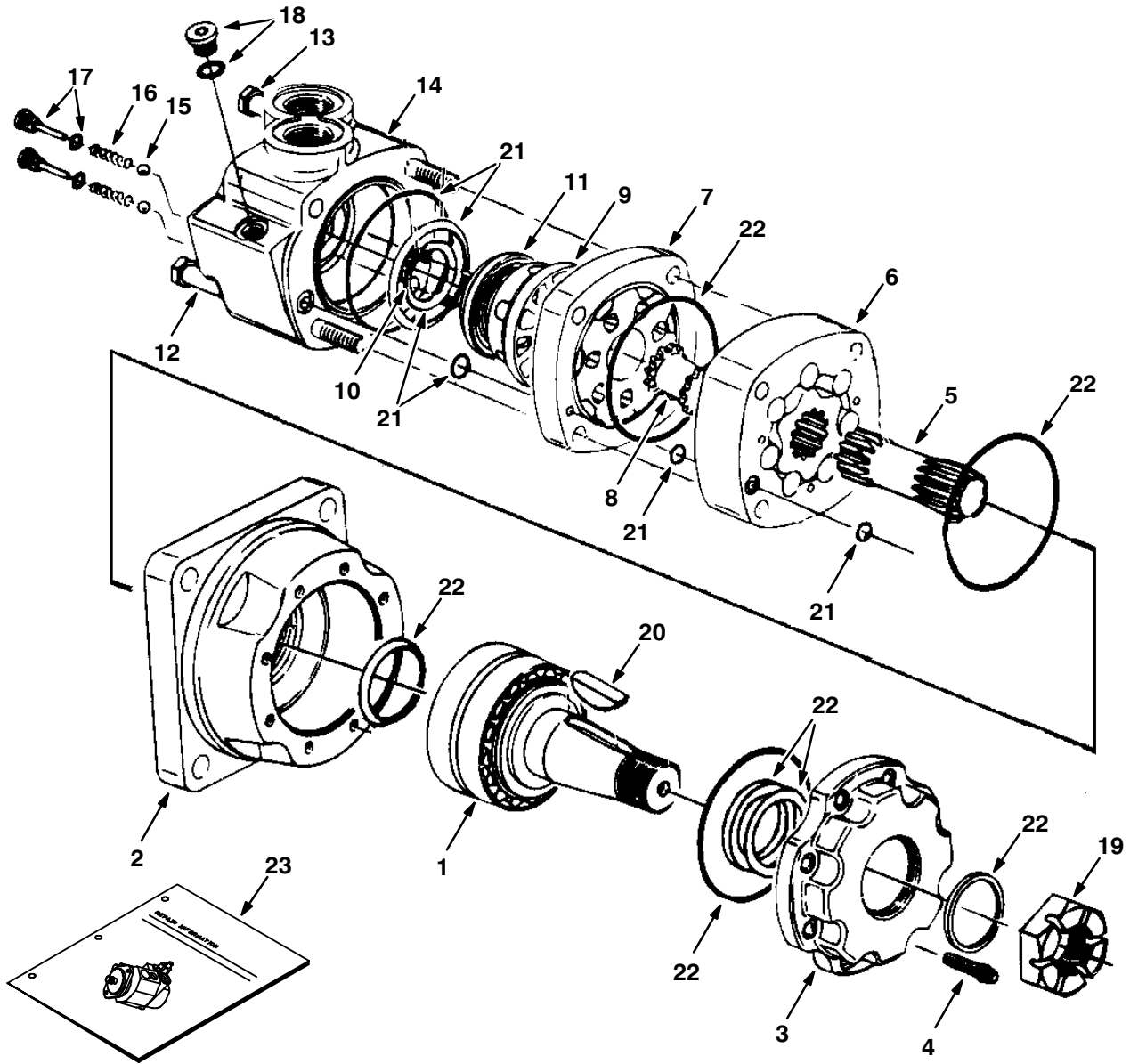


Fig. 12 – Hydraulic Motor Breakdown, 74162

Ref.	Tenant Part No.	Manufacturer Serial Number	Description	Qty.
▽	74162	(000000-) Motor, Hyd Gear In 19.0	1
▲	1 74165	(000000-) Shaft, Assy Cl	1
▲	2 74166	(000000-) Housing, Brg Cl	1
▲	3 74167	(000000-) Retainer, Frt Cl	1
▲	4 74168	(000000-) Screw, Cap Cl	8
▲	5 37616	(000000-) Drive	1
▲	6 37756	(000000-) Geroler	1
▲	7 74122	(000000-) Plate, Valve	1
▲	8 52405	(000000-) Valve	1
▲	9 74123	(000000-) Valve Cl	1
▲	10 34178	(000000-) Spring	2
▲	11 38968	(000000-) Ring	1
▲	12 74125	(000000-) Bolt Cl	3
▲	13 38255	(000000-) Bolt	1
▲	14 74171	(000000-) Housing, Assy Cl	1
▲	15 37766	(000000-) Ball	2
▲	16 34179	(000000-) Spring	2
▲	17 74137	(000000-) Plug Assembly Cl	2
▲	18 74098	(000000-) Plug Assembly Ph	1
▲	19 45622	(000000-) Nut	1
▲	20 45623	(000000-) Key	1
▲	21 33580	(000000-) Seal Kit, Rear	1
▲	22 74170	(000000-) Seal Kit, Shaft Cl	1
▲	23 74249	(000000-) Repair Info. Cl	1

Fig. 13 – Hydraulic Motor Breakdown, 22604

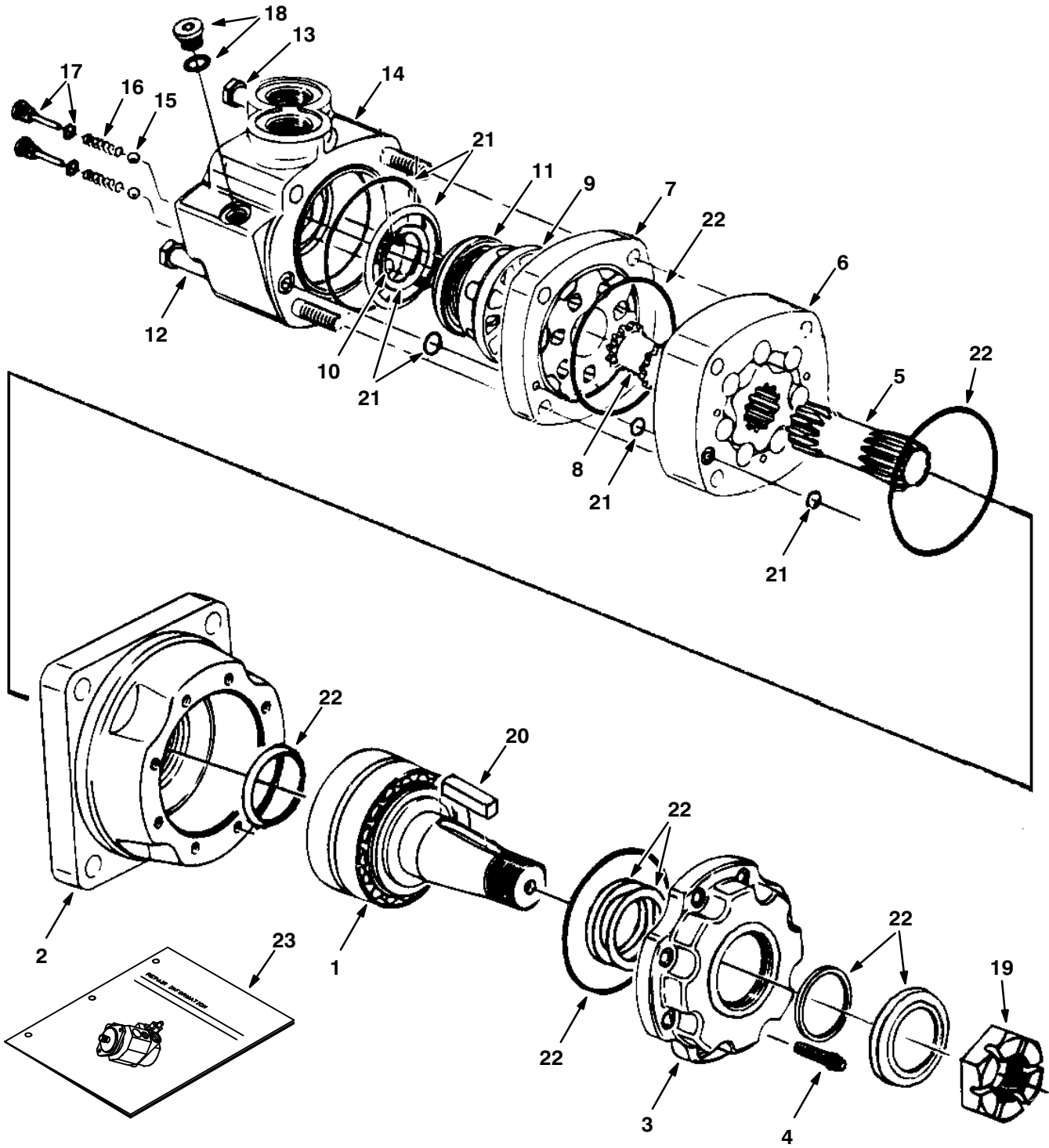
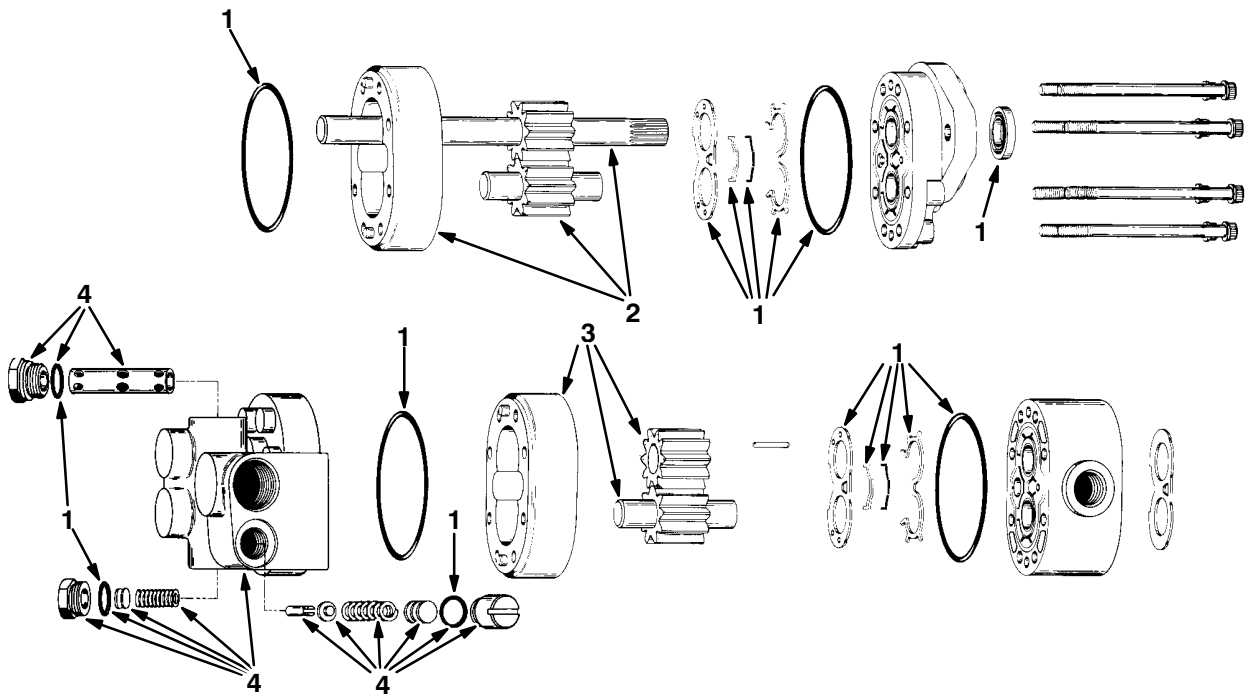


Fig. 13 – Hydraulic Motor Breakdown, 22604

	Ref.	Tennant Part No.	Manufacturer Serial Number	Description	Qty.
▽		22604	(000000-) Motor, Hyd Gear	1
▲	1	74165	(000000-) Shaft S/A	1
▲	2	74166	(000000-) Housing, Brg	1
▲	3	74167	(000000-) Retainer, Frt	1
▲	4	74168	(000000-) Screw, Cap	8
▲	5	37616	(000000-) Drive	1
▲	6	37756	(000000-) Geroler	1
▲	7	74122	(000000-) Plate, Valve	1
▲	8	52405	(000000-) Valve	1
▲	9	74123	(000000-) Valve	1
▲	10	34178	(000000-) Spring	2
▲	11	38968	(000000-) Ring	1
▲	12	74125	(000000-) Bolt	3
▲	13	38255	(000000-) Bolt	1
▲	14	74171	(000000-) Housing Assy,	1
▲	15	37766	(000000-) Ball	2
▲	16	34179	(000000-) Spring	2
▲	17	74137	(000000-) Plug Assembly	2
▲	18	74098	(000000-) Plug #4	1
▲	19	45622	(000000-) Nut	1
▲	20	45623	(000000-) Key	1
▲	21	33580	(000000-) Seal Kit, Rear	1
▲	22	79828	(000000-) Seal Kit, Shaft	1
▲	23	74249	(000000-) Instr. Repair Info, Motor	1

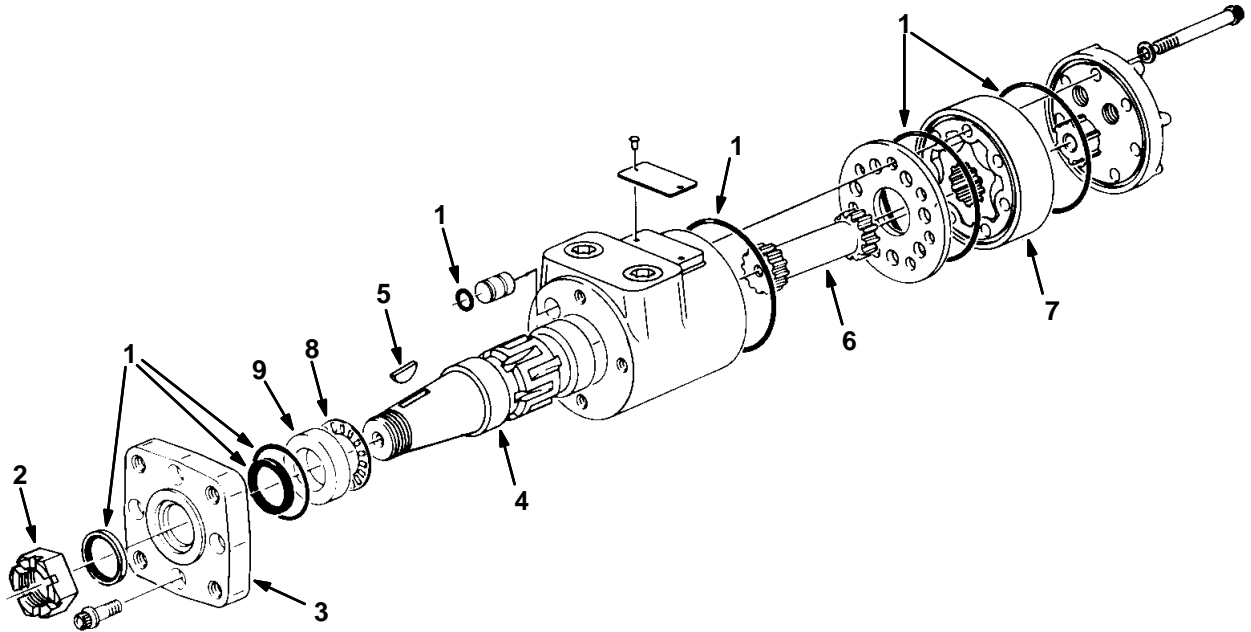
Fig. 14 – Hydraulic Pump Breakdown, 48880



06184 – 550, 1550

Ref.	Tennant Part No.	Manufacturer Serial Number	Description	Qty.
▽	48880	(000000–) Pump, Hydraulic	1
▲	1 48906	(000000–) Seal Kit	1
▲	2 48909	(000000–) Body and Gear Kit, Front	1
▲	3 48908	(000000–) Body and Gear Kit, Rear	1
▲	4 48907	(000000–) Backplate Kit	1

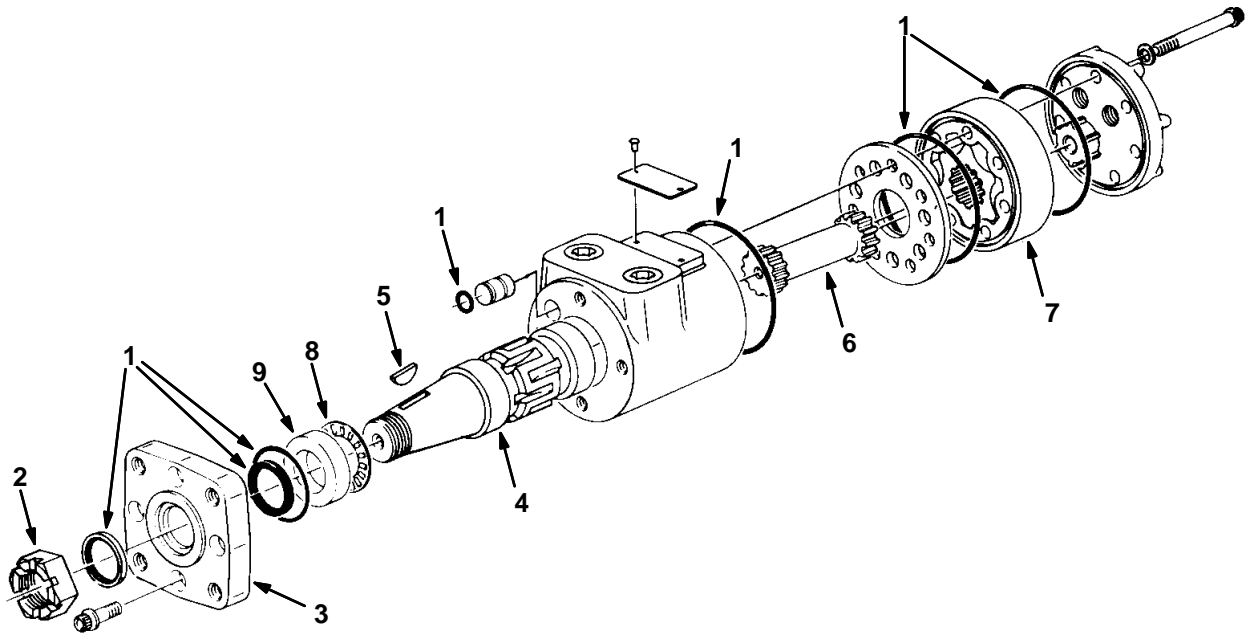
Fig. 15 – Hydraulic Motor Breakdown, 27792



09795 – 550, 1550

Ref.	Tennant Part No.	Manufacturer Serial Number	Description	Qty.
▽	27792	(000000–) Motor, Hydraulic	1
▲	1	28835	(000000–) Seal Kit	1
▲	2	39527	(000000–) Nut, Slotted	1
▲	3	31354	(000000–) Flange, Mounting	1
▲	4	37617	(000000–) Shaft, Output	1
▲	5	00500–15	(000000–) Key, Woodruff	1
▲	6	31377	(000000–) Drive	1
▲	7	31382	(000000–) Gerotor	1
▲	8	45628	(000000–) Bearing	1
▲	9	16695	(000000–) Race, Thrust	1

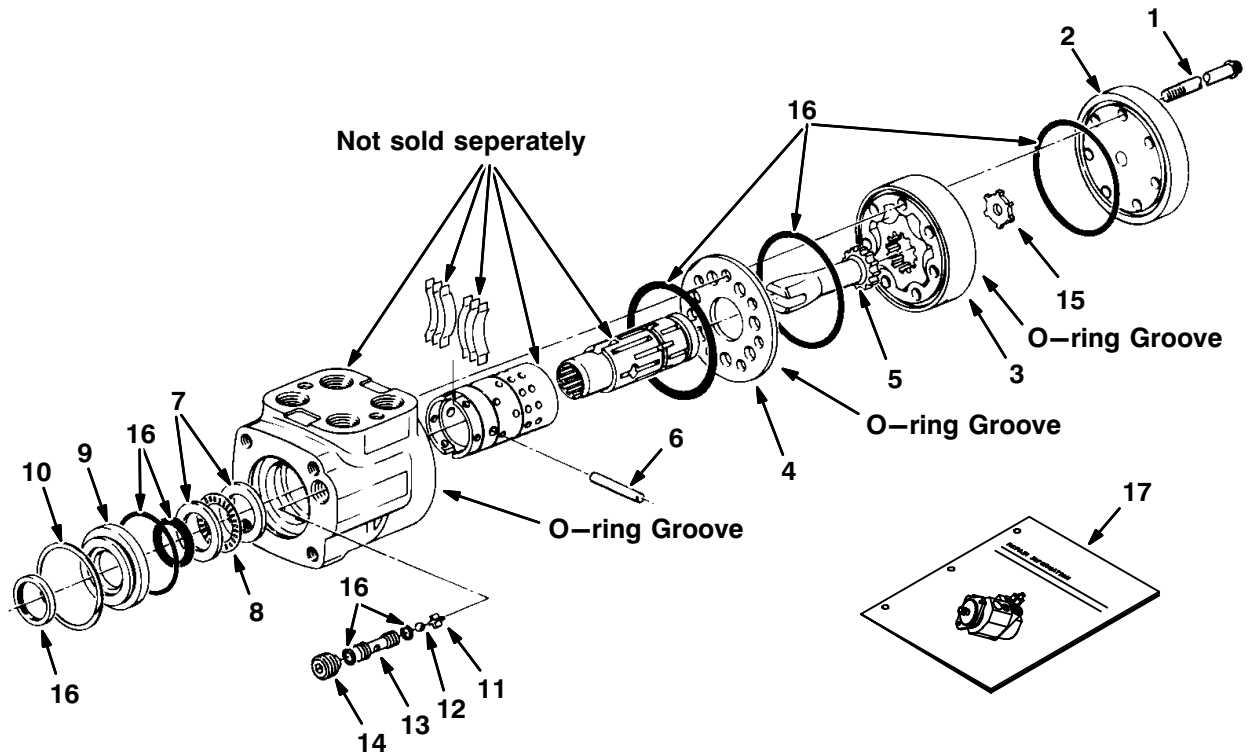
Fig. 16 – Hydraulic Motor Breakdown, 61489



09795 – 550, 1550

Ref.	Tennant Part No.	Manufacturer Serial Number	Description	Qty.
▽	61489	(000000–) Motor, Hydraulic	1
▲	1	61490 (000000–) Seal Kit	1
▲	2	39527 (000000–) Nut, Slotted	1
▲	3	31354 (000000–) Flange, Mounting	1
▲	4	37617 (000000–) Shaft, Output	1
▲	5	00500–15 (000000–) Key, Woodruff	1
▲	6	31377 (000000–) Drive	1
▲	7	31382 (000000–) Gerotor	1
▲	8	45628 (000000–) Bearing	1
▲	9	16695 (000000–) Race, Thrust	1

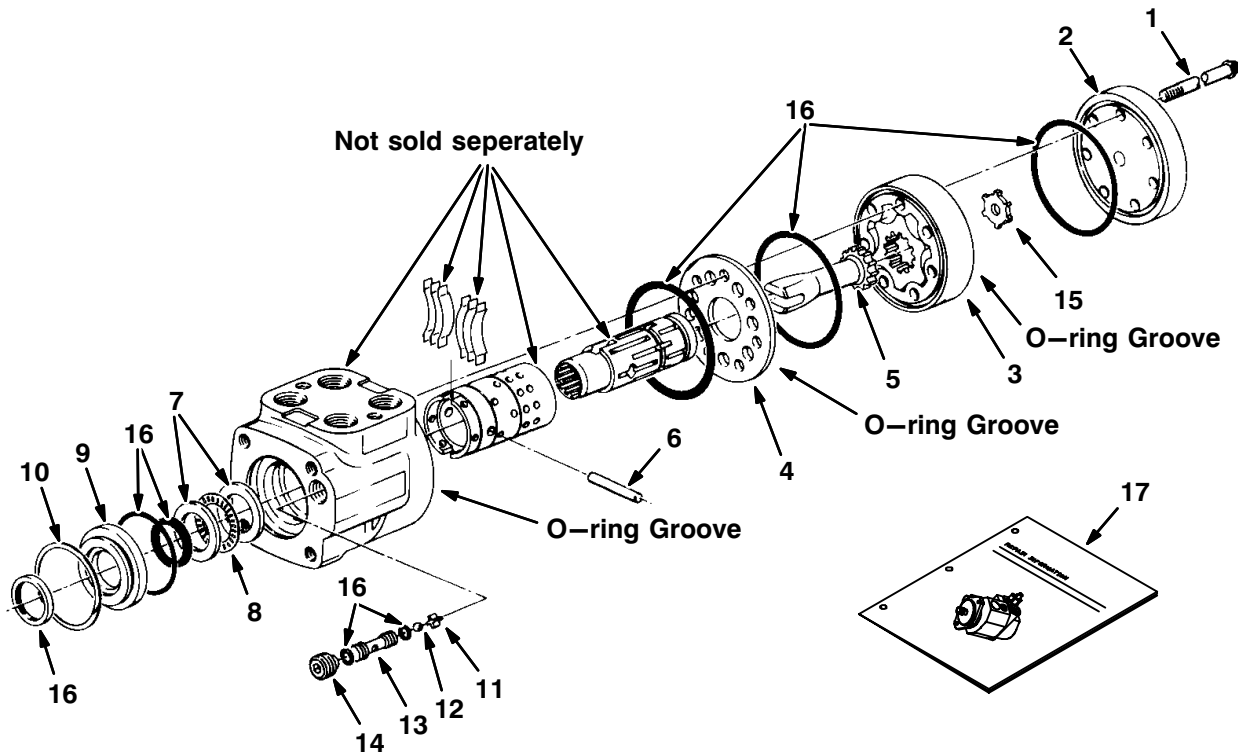
Fig. 17 – Hydraulic Steering Valve Breakdown, 57982



09936-09670- ALL

Ref.	Tennant Part No.	Manufacturer Serial Number	Description	Qty.
▽	57982	(000000-) Steer Control, Hyd 3 6.2 1000	1
▲	1 74097	(000000-) Cap Screw	7
▲	2 38873	(000000-) Cover Cap	1
▲	3 57156	(000000-) Geroter	1
▲	4 74094	(000000-) Spacer Plate	1
▲	5 58596	(000000-) Drive	1
▲	6 74218	(000000-) Pin	1
▲	7 74109	(000000-) Race, Bearing	2
▲	8 74110	(000000-) Bearing, Needle	1
▲	9 74112	(000000-) Bushing, Seal	1
▲	10 74111	(000000-) Ring, Retainer	1
▲	11 74186	(000000-) Retainer, Chk	1
▲	12 74187	(000000-) Ball	1
▲	13 74188	(000000-) Seat, Chk Ball	1
▲	14 74189	(000000-) Screw Set	1
▲	15 74105	(000000-) Spacer	1
▲	16 57152	(000000-) Seal Kit,Stg	1
▲	74195	(000000-) Spring Kit, Scu	1
▲	17 74251	(000000-) Repair Info,Scu	1

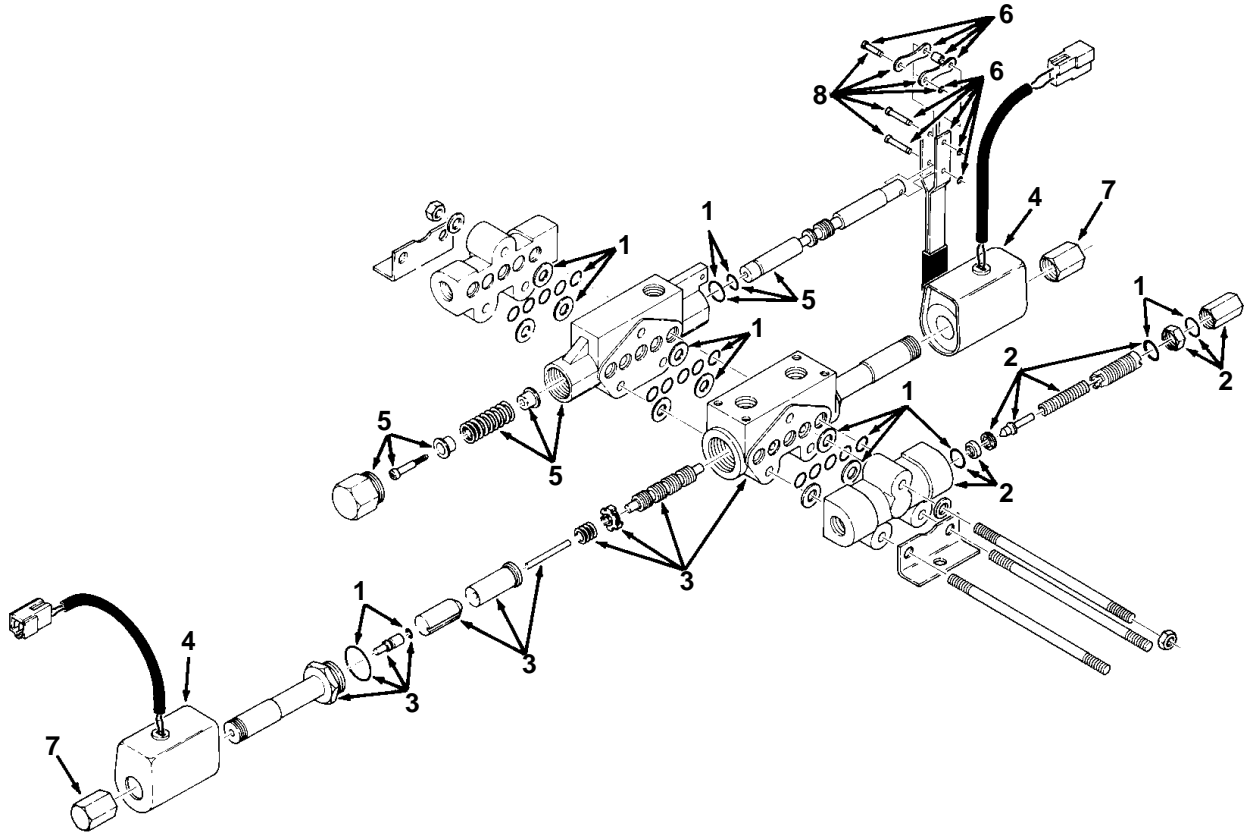
Fig. 18 – Hydraulic Steering Valve Breakdown, 74176



09936-09670- ALL

Ref.	Tennant Part No.	Manufacturer Serial Number	Description	Qty.
▽	74176	(000000-)	Steer Control, Hyd #4 05.9 150	1
▲	1 65241	(000000-)	Cap Screw	7
▲	2 74181	(000000-)	Cap, End	1
▲	3 57156	(000000-)	Geroter	1
▲	4 74182	(000000-)	Plate, Wear	1
▲	5 58596	(000000-)	Drive	1
▲	6 74218	(000000-)	Pin	1
▲	7 74109	(000000-)	Race, Bearing	2
▲	8 74110	(000000-)	Bearing, Needle	1
▲	9 74112	(000000-)	Bushing, Seal	1
▲	10 74111	(000000-)	Ring, Retainer	1
▲	11 74186	(000000-)	Retainer, Chk	1
▲	12 74187	(000000-)	Ball	1
▲	13 74188	(000000-)	Seat, Chk Ball	1
▲	14 74189	(000000-)	Screw Set	1
▲	15 74105	(000000-)	Spacer	1
▲	16 74190	(000000-)	Seal Kit, Scu	1
▲	74195	(000000-)	Spring Kit, Scu	1
▲	17 74251	(000000-)	Repair Info,Scu	1

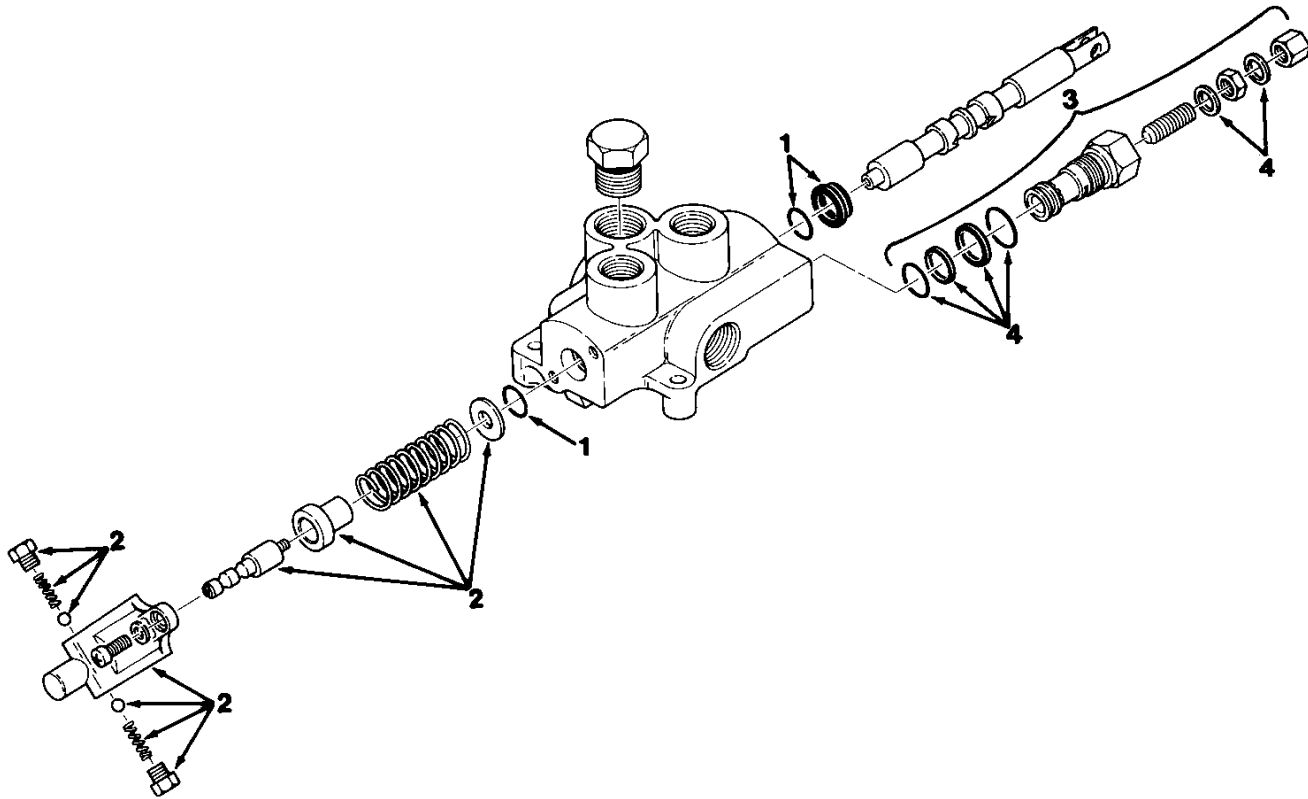
Fig. 19 – Hydraulic Solenoid Valve Breakdown, 31575



02392 – 550, 1550

Ref.	Tennant Part No.	Manufacturer Serial Number	Description	Qty.
▽	31575	(000000–)	Valve, Hydraulic, Solenoid	1
▲ 1	04198	(000000–)	Seal Kit	1
▲ 2	31642	(000000–)	Inlet Section	1
▲ 3	31643	(000000–)	Valve Section	1
▲ 4	02536	(000000–)	Coil	2
▲ 5	02520	(000000–)	Valve Section, Manual	1
▲ 6	02519	(000000–)	Handle Assembly, Complete	1
▲ 7	04525	(000000–)	Nut, Solenoid	2
▲ 8	04185	(000000–)	Linkage Kit, Handle	1

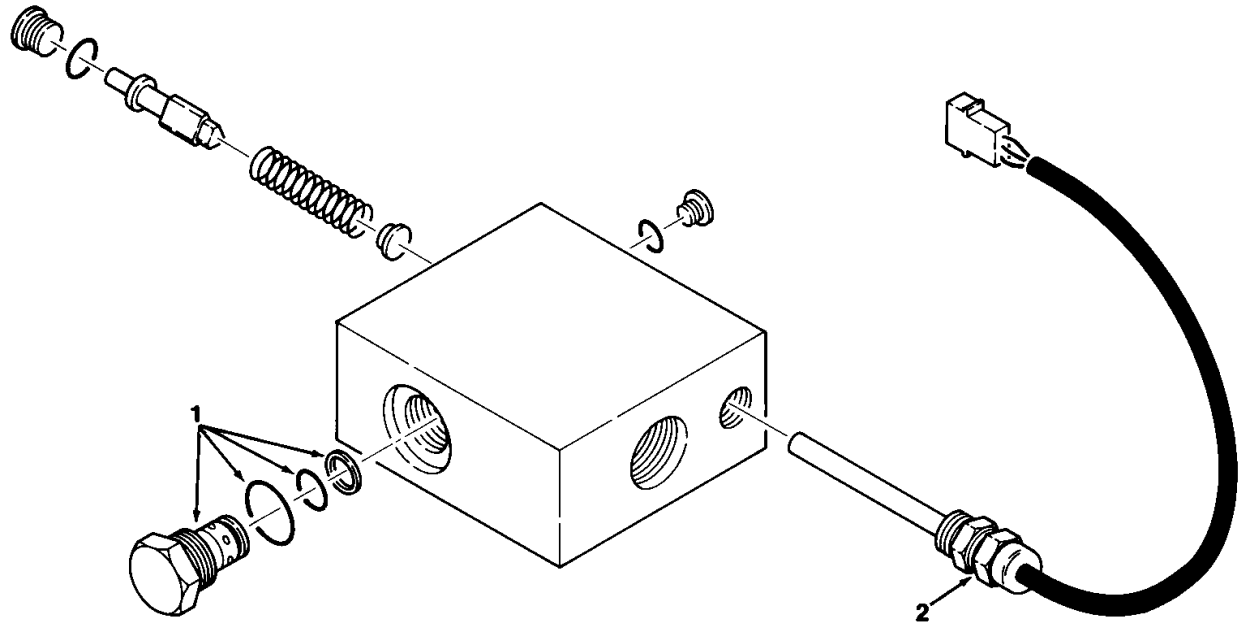
Fig. 20 – Hydraulic Valve Breakdown, 32761



02362 – 550, 1550

Ref.	Tennant Part No.	Manufacturer Serial Number	Description	Qty.
▽	32761	(000000–) Valve, Hydraulic	1
▲	1	01666	(000000–) Seal Kit	1
▲	2	01668	(000000–) Detent Kit	1
▲▽	3	01818	(000000–) Relief Valve	1
▲▲	4	69261	(000000–) Seal Kit, Relief Valve	1

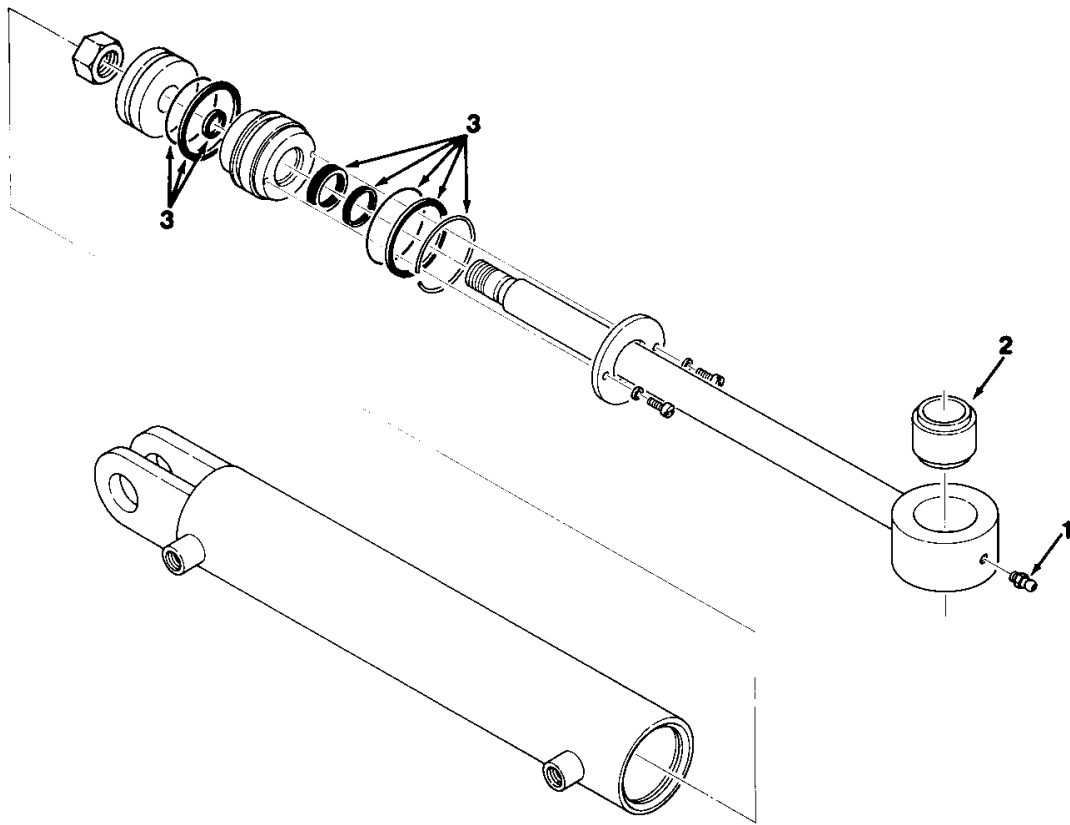
Fig. 21 – Hydraulic Flow Switch Breakdown, 31556



02399 – 550, 1550

	Ref.	Tennant Part No.	Manufacturer Serial Number	Description	Qty.
▽		31556	(000000–) Switch, Flow	1
▲	1	31638	(000000–) Check Valve	1
▲	2	31639	(000000–) Switch Assembly	1

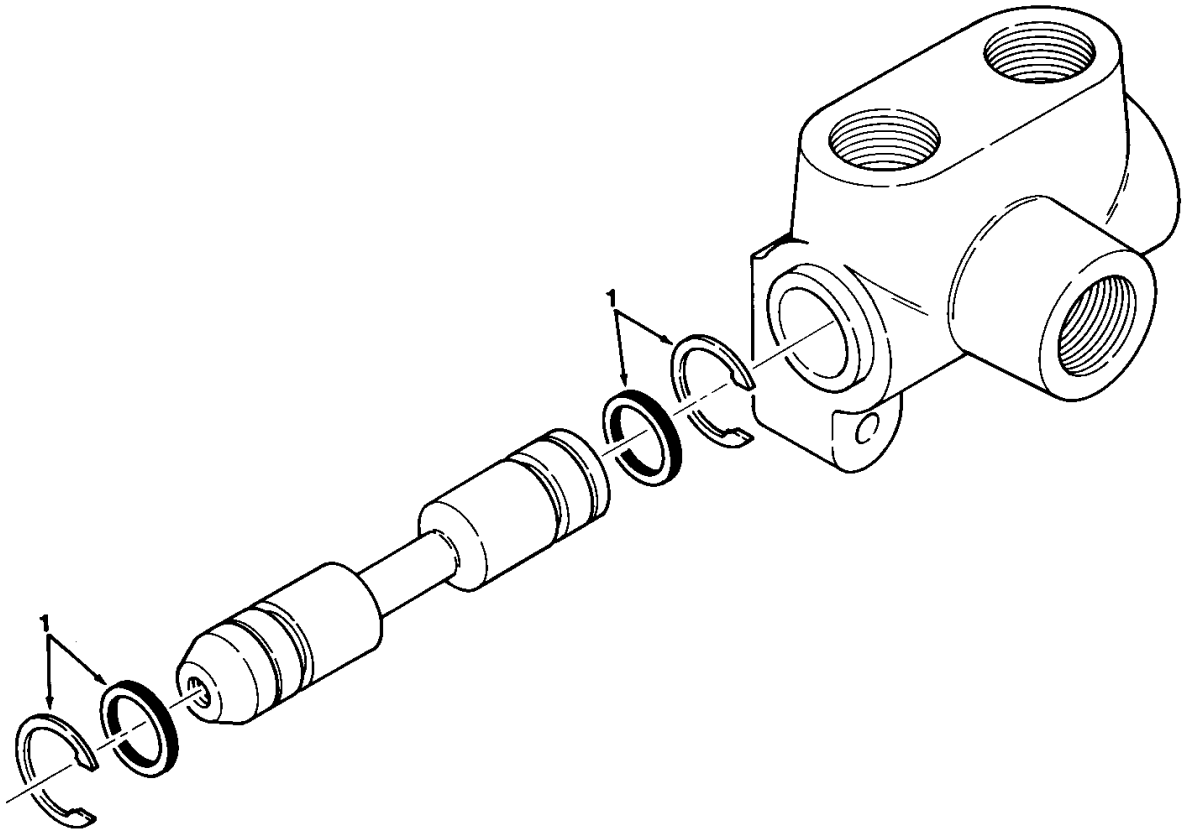
Fig. 22 – Hydraulic Cylinder Breakdown, 04431



03175 – ALL

Ref.	Tennant Part No.	Manufacturer Serial Number	Description	Qty.
▽	04431	(000000–)	Cylinder, Hydraulic	1
▲ 1	47801	(000000–)	Fitting, Grease	1
▲ 2	04499	(000000–)	Bearing, Self-Aligning	1
▲ 3	04477	(000000–)	Seal Kit	1

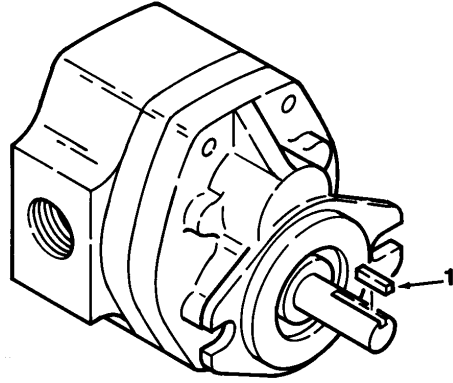
Fig. 23 – Hydraulic Valve Breakdown, 48108A



04230 – ALL

Ref.	Tennant Part No.	Manufacturer Serial Number	Description	Qty.
▽	48108A	(000000–) Valve, Hydraulic	1
▲	1 SK1288	(000000–) Seal Kit	1

Fig. 24 – Hydraulic Motor Breakdown, 75185



02401 – ALL

	Ref.	Tennant Part No.	Manufacturer Serial Number	Description	Qty.
▽		75185	(000000–) Motor, Hydraulic	1
▲		02412	(000000–) Seal Kit	1
▲	1	00912	(000000–) Key, Square	1

SECTION 12

CONTENTS	PAGE
Fig. 1 – Cylinder Head, Crankcase and Flywheel Housing Group	12-2
Fig. 2 – Valve and Camshaft Group	12-4
Fig. 3 – Front End Plate and Gear Cover Group	12-5
Fig. 4 – Piston, Crankshaft and Flywheel Group	12-6
Fig. 5 – Oil Pump Group	12-8
Fig. 6 – Water Pump Group	12-9
Fig. 7 – Governor Group	12-9
Fig. 8 – PCV Group	12-9
Fig. 9 – Fuel Pump Group	12-9
Fig. 10 – Oil Filter Group	12-10
Fig. 11 – Distributor and Coil Group	12-10
Fig. 12 – Water Outlet Group, Gasoline	12-10
Fig. 13 – Water Outlet Group, LPG	12-11
Fig. 14 – Exhaust and Intake Manifold Group	12-11
Fig. 15 – Carburetor Group	12-11
Fig. 16 – Starter and Alternator Group	12-12

Fig. 1 – Cylinder Head, Crankcase and Flywheel Housing Group

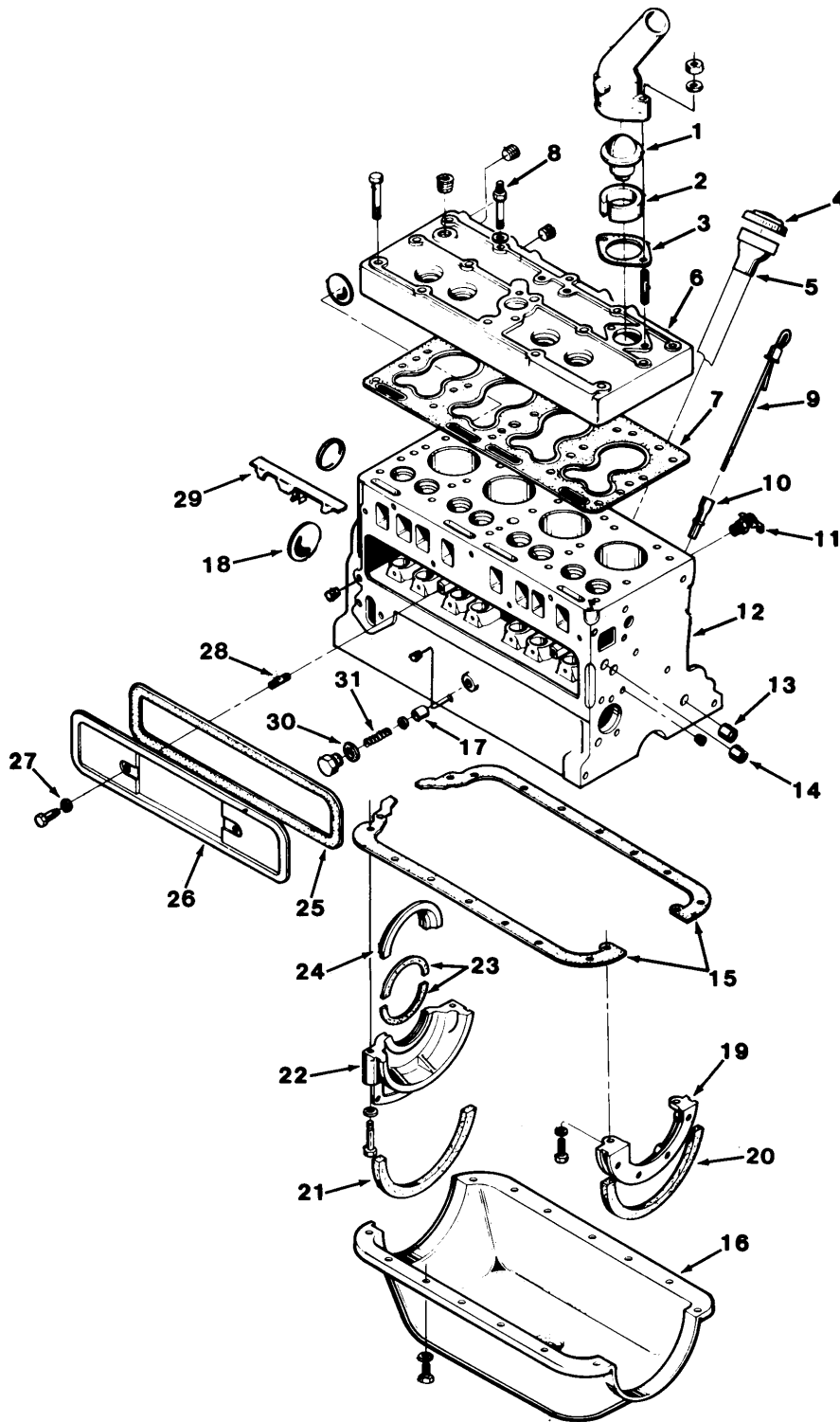
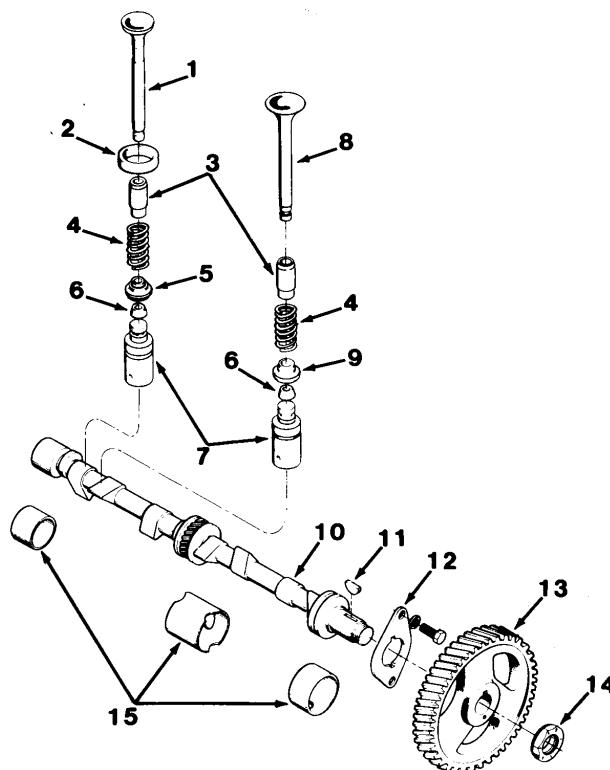


Fig. 1 – Cylinder Head, Crankcase and Flywheel Housing Group

Ref.	Tennant Part No.	Teledyne Continental Part Number	Description	Qty.
1	53988-13	F601K00303	Thermostat, 180° F (82.2°c)	1
2	53988-14	F218K00202	Ring, Thermostat Adapter	1
3	53988-12	C400K00215	Gasket, Water Outlet Elbow	1
4	38228	20CL02020	Cap, Oil Filler	1
5	37803	F400L04300	Body, Oil Filler Crankcase	1
6	16162	F401A06021	Head, Cylinder	1
7		F401A00424	Gasket, Cylinder Head	1
8		X22128	Screw, Special, Cylinder Head to Crankcase (4, 5, 10, 11, & 15)	5
9	38102	F401L00402	Rod, Oil Gauge	1
10	38101	F401L00304	Support, Oil Gauge Rod	1
		F401L00203	Brace, Oil Gauge Support (Not Shown)	1
11		X01015	Valve, Cylinder Water Drain	1
12	SK2198		Cylinder and Crankcase Assembly, Includes: Cylinder Block, Connecting Rods, Camshaft Bushings, Front End Plate, Bearing Caps, Thrust Plate, Valve Train, Cam Gear, Tappets, Crankshaft Gear, Camshaft, Oil Gauge Rod Main and Rod Bearings, Crankshaft Support, Pistons, Piston Pins, Piston Rings, Oil Rod, Gauge Hole Cover- Fuel Pump, Service Gasket Set, Oil Guard- Rear Bearing	1
13		8TC00200 1	Dowel, Ring, Gear Cover and Front End Plate to Crankcase	1
14		7TC00215	Dowel, Ring, Front End Plate to Crankcase, Upper Right	1
15		X07814	Gasket, Oil Pan	1
16	37634	F401B-4321	Pan, Oil	1
17	38226	15SL00211	Valve, Relief, Oil Pressure	1
18	10203	X02236	Plug, Expansion, Crankcase at Rear Camshaft Bearing	1
19	16172	F601B-305	Block, Filler, Front	1
20	38081	F400B00255	Gasket, Filler Block, Front	1
21	38081	F400B00255	Gasket, Filler Block, Rear	1
22		F601B00425	Block, Filler, Rear	1
23	37793	T427B00201	Seal, Rear Bearing, Oil	2
24		F600B0399	Guard, Rear Bearing, Oil	1
25	38077	F124A00201	Gasket, Valve Chamber Cover	1
26	16148	F400A0366	Cover, Valve Chamber	1
27		X00334	Gasket, Copper, Valve Chamber Cover to Crankcase	2
28		X04038	Stud, Valve Chamber Cover To Crankcase	2
29		F401A03760	Baffle, Valve Chamber Oil Drain, Rear	1
		F401A03760	Baffle, Valve Chamber Oil Drain, Front	1
30		X00365	Gasket, Copper, Oil Pressure Relief Valve	1
31	62515		Spring, Oil Pressure Relief Valve	1
		F140B0320	Housing, Flywheel	1
		X07005	Dowel, Fly Housing to Crankcase	2
		8FC00205	Cover, Timing Hole	1

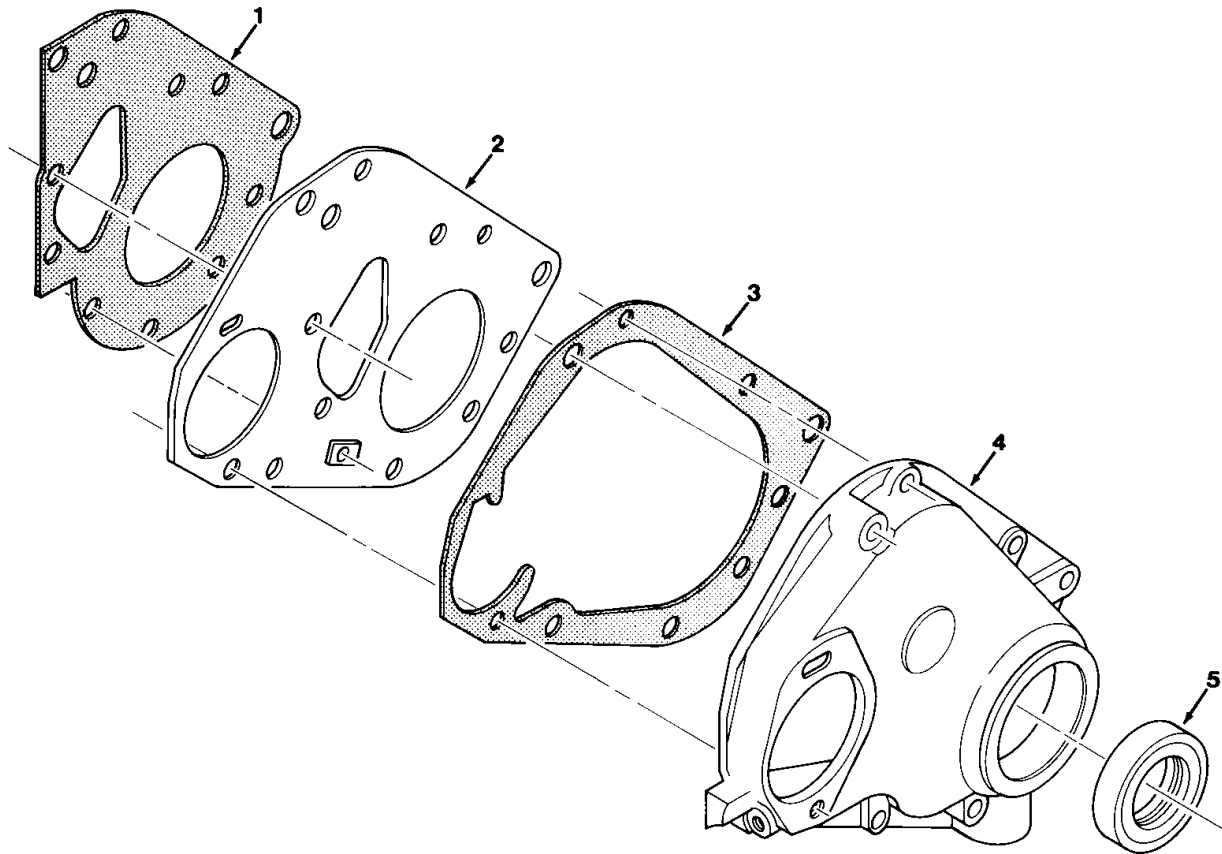
Fig. 2 – Valve and Camshaft Group



01772-550, G

Ref.	Tennant Part No.	Teledyne Continental Part Number	Description	Qty.
1	38109	F601I00303	Valve, Exhaust	4
2	37808	F140A00216010	Insert, Valve Seat, Exhaust (0.010" Oversize for Service)	4
3	16153	F400I00251	Guide, Valve Stem, Intake and Exhaust	8
4		Y400I00215	Spring, Valve, Intake and Exhaust	8
5	38110	F601I00301	Roto Coil, Exhaust	4
6		CVT03234	Lock, Valve Spring Retainer, Intake and Exhaust	16
7	16170	F600102520	Tappet, Valve, Standard	8
		F600102520001	Tappet, Valve, 0.001" Oversize	8
		F600102520003	Tappet, Valve, 0.003" Oversize	8
		F600102520005	Tappet, Valve, 0.005" Oversize	8
		F600102520010	Tappet, Valve, 0.010" Oversize	8
		F600102520015	Tappet, Valve, 0.015" Oversize	8
		F600102520020	Tappet, Valve, 0.020" Oversize	8
8		F600I00347	Valve, Intake	4
9	37594	F601I00200	Retainer, Valve Spring, Intake	4
10		F400I00343	Camshaft	1
11		X00506	Key, Cam Gear to Camshaft	1
12		F400I00246	Plate, Camshaft Thrust	1
13	16141	F124H00302	Gear, Camshaft	1
14		X18521	Nut, Cam Gear to Camshaft	1
15	38097	F400T00181	Bushing, Camshaft, Kit	1

Fig. 3 – Front End Plate and Gear Cover Group



01744 – 550, G

Ref.	Tennant Part No.	Teledyne Continental Part Number	Description	Qty.
1	37631	F401B00342	Gasket, Front End Plate	1
2		F401B00333	Plate, Front End	1
3	38083	F400B00383	Gasket, Gear Cover	1
4	38084	F162B00412	Cover, Gear	1
5		X07810	Seal, Oil And Felt	1
		F401B00308	Pointer, Timing	1

Fig. 4 – Piston, Crankshaft and Flywheel Group

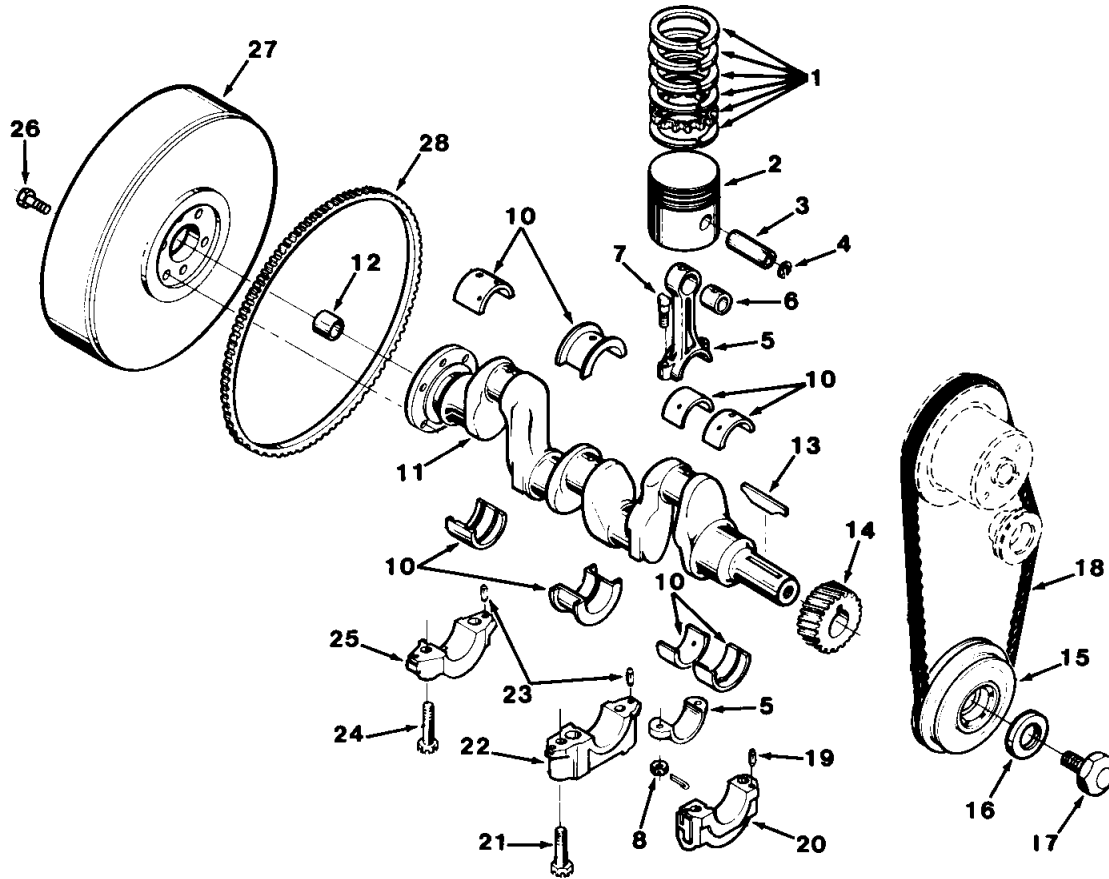
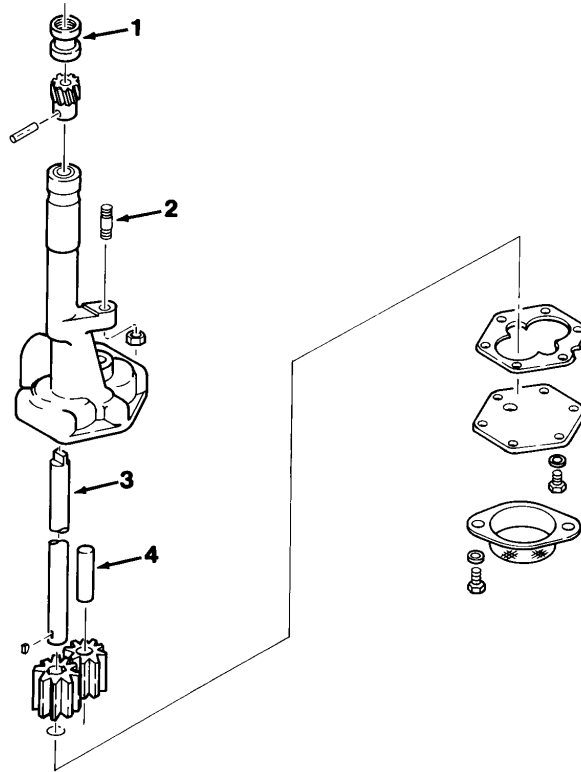


Fig. 4 – Piston, Crankshaft and Flywheel Group

Ref.	Tennant Part No.	Teledyne Continental Part Number	Description	Qty.
1	37806	F163T00119	Ring Kit, Re-Ring, Standard	4
1		F163T00119020	Ring Kit, Re-Ring, 0.020" Oversize	4
1		F163T00119030	Ring Kit, Re-Ring, 0.030" Oversize	4
1		F163T00119040	Ring Kit, Re-Ring, 0.040" Oversize	4
1		F163T00119060	Ring Kit, Re-Ring, 0.060" Oversize	4
2	37958	F163A04081E	Piston, Standard	4
2		F163A04081E020	Piston, 0.020" Oversize	4
2		F163A04081E030	Piston, 0.030" Oversize	4
2		F163A04081E040	Piston, 0.040" Oversize	4
∇ 2		F163A04081E060	Piston, 0.060" Oversize	4
▲ 3		F600A00214	Pin, Piston, Standard	1
▲ 3		F600A00214003	Pin, Piston, 0.003" Oversize	1
▲ 3		F600A00214005	Pin, Piston, 0.005" Oversize	1
▲ 4		F163A00205	Plug, Piston	1
5		F226D04002	Rod, Connecting, Less Bearings, Cast (Replace in Sets Only)	4
5		F227D06001	Rod, Connecting, Less Bearings, Forged (Replace in Sets Only)	4
6		F400G00211	Bushing, Piston Pin	4
7		F400D00202	Bolt, Connecting Rod	8
8		X18546	Nut, Connecting Rod Bolt	8
10		F163T00103	Bearing Kit, Main, Standard	1
10		F163T00103002	Bearing Kit, Main, 0.002" Undersize	1
10		F163T00103010	Bearing Kit, Main, 0.010" Undersize	1
10		F163T00103020	Bearing Kit, Main, 0.020" Undersize	1
10		F163T00103030	Bearing Kit, Main, 0.030" Undersize	1
10		F163T00103040	Bearing Kit, Main, 0.040" Undersize	1
11	38086	F400C02351	Crankshaft	1
12	38225	15LG00202	Bearing, Crankshaft Pilot	1
13		X00675	Key, Crankshaft Gear	1
14		D600H00300	Gear, Crankshaft	1
15	38099	F401C00416	Pulley, Crankshaft	1
16		X14235	Washer, Pulley to Crankshaft	1
17		X02959	Screw, Pulley to Crankshaft	1
18	76873-1		Belt, Alternator and Water Pump Drive	1
19		F600B00242	Dowel, Bearing Cap to Crankcase, Front	2
20		F600B00470	Cap, Crankshaft Bearing, Front	1
21		X06920	Bolt, Place, Bearing Cap to Crankcase, Center	2
22		F400B00359	Cap, Crankshaft Bearing, Center	1
23		F600B00247	Dowel, Bearing Cap to Crankcase, Center and Rear	4
24		X06503	Bolt, Place, Bearing Cap to Crankcase, Front-Rear	4
25		F401B00301	Cap, Crankshaft Bearing, Rear	1
26		X06828	Screw, Flywheel to Crankshaft (special)	6
27	16174	F601C04350	Flywheel	1
28	16147	F244C00317	Gear, Ring	1

Fig. 5 – Oil Pump Group



01775–550, G

Ref.	Tennant Part No.	Teledyne Continental Part Number	Description	Qty.
▽	16171	F600L04132	Pump, Oil, Complete	1
▲	1	F400L00210	Bushing, Oil Pump Drive Shaft (In Crankcase)	1
▲	2	X04182	Stud, Oil Pump Body to Center Bearing Cap	1
▲	3	F218L00204	Shaft, Oil Pump Drive	1
▲	4	8UL00212	Stud, Oil Pump Idler Gear	1
▲		F6T02002	Repair Kit, Oil Pump	1

Fig. 6 – Water Pump Group

Ref.	Tennant Part No.	Teledyne Continental Part Number	Description	Qty.
	45617	F400K04471	Pump, Water, Service (Less Pulley)	1
	45639	F401K00324	Pulley, Water Pump	1
	38106	F600K00371	Gasket, Water Pump	1
		F6T01014	Repair Kit, Water Pump	1

Fig. 7 – Governor Group

Ref.	Tennant Part No.	Teledyne Continental Part Number	Description	Qty.
	45659	F401S00407	Governor	1
	23158		Gasket, Governor to Cover	1
		X005692122	Rod, Control, Governor to Carburetor	1
		X13203	Ball Joint, Governor Rod to Governor Arm	1
		X13201	Ball Joint, Governor Rod to Carburetor	1
		X18137	Nut, Ball Joint	4
		X18402	Nut, Governor Arm to Rod	1
		F401H00303	Gear, Governor	1
	37934	F401S00230	Spring, Governor	1
	37933	F401S00227	Seal, Oil	1

Fig. 8 – PCV Group

Ref.	Tennant Part No.	Teledyne Continental Part Number	Description	Qty.
		X26125	Elbow, Restrictor, Intake Manifold	1
		X08253020	Hose	2
		F400F00478	Tube, Manifold to Tee	1
		X02751	Clamp, Hose	6
		X26124	Tee	1
		X08253120	Hose, Tee to Filler Tube	1

Fig. 9 – Fuel Pump Group

Ref.	Tennant Part No.	Teledyne Continental Part Number	Description	Qty.
	33842		① Replacement Kit, Fuel Pump	1
	47680	X01698	Gasket, Fuel Pump	1
		X03182	① Screw, Fuel Pump Mounting	2
	33861	F401F0500	① Tube, Fuel Pump to Carburetor	1
		X12251	Elbow, Fuel Pump Tube	2
	47675	F600B00234	Cover, Fuel Pump Hole (LPG Only)	1
	33846		② Pump Assembly, Fuel	1
	33856		② Screw, Hex, Mounting	2
	33861	F401F0500	② Tube, Fuel Pump to Carburetor	1

① Teledyne Continental Engine Serial Number (302064–330436)

② Teledyne Continental Engine Serial Number (330437–)

Fig. 10 – Oil Filter Group

Ref.	Tennant Part No.	Teledyne Continental Part Number	Description	Qty.
	37935	F600L004340	Filter, Oil	1
		F600L00447	Base, Oil Filter	1
		F600L00436	Bracket, Oil Filter	1
		X08016120	Hose, Oil	2
		X12143	Bushing, Reducing	1
		X12502	Elbow, Crankcase Oil Outlet at Bushing	1
		X12511	Elbow, Oil Filter Inlet and Outlet	2
		X12502	Elbow, Crankcase Oil Inlet	1
		X08016100	Hose, Oil Filter Outlet to Crankcase Inlet	1

Fig. 11 – Distributor and Coil Group

Ref.	Tennant Part No.	Teledyne Continental Part Number	Description	Qty.
▽	16168	F401M00405	Distributor	1
▲	37422		Cap	1
▲	37421		Rotor	1
▲	37420		Contact Point Set	1
▲	45631		Condenser	1
		X19002	Stud, Distributor to Head	1
	16158	F400M00279	Shaft, Distributor to Drive	1
	38094	F400M00293	Clamp, Distributor	1
		22RM00303	Coil, Ignition	1
	55994	SP207S00016RD	Plug, Spark	4
	38076	FW00307100	Wire, Distributor to Plugs (10" Long)	4
	55911	FW00308120	Wire, Distributor to Coil (14" Long)	1
		F401M00219	Gasket, Distributor to Cylinder Head	1

Fig. 12 – Water Outlet Group, Gasoline

Ref.	Tennant Part No.	Teledyne Continental Part Number	Description	Qty.
	16142	F124K00334	Elbow, Water Outlet	1
	53988-12	C400K00215	Gasket, Water Outlet	1
	37816	X04136	Stud, Water Outlet	2
		X12517	Nipple, Water Outlet Elbow	1
		X01801E	Nut, Water Outlet Elbow	2
	53988-16	X400K00261	Hose, Outlet Elbow to Bypass	1
		X12191	Elbow, Bypass	1
		X01015	Drain Cock	1

Fig. 13 – Water Outlet Group, LPG

Ref.	Tennant Part No.	Teledyne Continental Part Number	Description	Qty.
▽	SK2669	F400K04570	Elbow And Vaporizer Kit	1
▲	33603		Elbow, Water Outlet, LPG	1
▲▽	33600		Vaporizer, LPG	1
▲▲	33602		Repair Kit, Vaporizer	1
▲	53988-13	F601K00303	Thermostat	1
▲	53988-14	F218K00202	Ring, Retaining	1
▲	53988-12	C400K00215	Gasket, Thermostat	1
		X04107	Stud, Water Outlet	2
		C400K00215	Gasket, Water Outlet	1
	50508	X08072120	Hose, Vaporizer to Carburetor	1
	50502	X08100102	Hose, Water Recirculating	1
	50501	X12474	Elbow, Vaporizer Outlet	1
		X07057	Ring, Retaining	1
	50509		Elbow, Carburetor	1
	15791-1		Connector, Water Pump	1
	54241		Elbow, Water Pump	1

Fig. 14 – Exhaust and Intake Manifold Group

Ref.	Tennant Part No.	Teledyne Continental Part Number	Description	Qty.
		X04057	Stud, Exhaust and Intake Manifold to Crankcase	6
		X04182	Stud, Exhaust Manifold Outlet	3
	38087	F400E00303	Gasket, Manifold	1
	38428	F400E00423	Manifold, Intake and Exhaust	1
		X04182	Stud, Carburetor to Manifold	2

Fig. 15 – Carburetor Group

Ref.	Tennant Part No.	Teledyne Continental Part Number	Description	Qty.
▽	38089	F400F00263	Carburetor, Gasoline	1
▲	37612		Repair Kit, Carburetor	1
▽	45647	CA10F00319	Carburetor, LPG	1
▲		K2948	Repair Kit, Carburetor	1
		X12251	Elbow, Carburetor, Gasoline	1
		X12774	Elbow, Carburetor, LPG	1
	38010	M330F00253	Gasket, Carburetor	1

Fig. 16 – Starter and Alternator Group

Ref.	Tennant Part No.	Teledyne Continental Part Number	Description	Qty.
	55977	F401M00338	Starter	1
		X07580	Connector, Alternator Wire	1
		X14234	Spacer, Alternator to Bracket, Rear	1
	38445	F401M00355	Alternator	1
	37794	HD277M00407	Fan, Alternator	1
		X14531	Spacer, Between Alternator Pulley and Fan	1
	34904		Pulley, Alternator	1
	38104	F401M00407	Bracket, Alternator	1
		X19002	Stud, Alternator Bracket to Crankcase	2
	38103	F401M00201	Strap, Alternator, Adjusting	1
		F401M00332	Harness, Wiring, Alternator	1

SECTION 13

CONTENTS	PAGE
Fig. 1 – Engine Block Group	13-2
Fig. 2 – Cylinder Head Group	13-4
Fig. 3 – Camshaft Group	13-6
Fig. 4 – Crankshaft Group	13-8
Fig. 5 – Piston Group	13-9
Fig. 6 – Oil Pump Group	13-10
Fig. 7 – Gear Cover Group	13-11
Fig. 8 – Flywheel and Starter Group	13-12
Fig. 9 – Intake and Exhaust Manifold Group	13-13
Fig. 10 – Water Pump Group	13-14
Fig. 11 – Water Header and Thermostat Group	13-15
Fig. 12 – Carburetor and Controls Group	13-16
Fig. 13 – Oil Filter Group	13-17
Fig. 14 – Distributor and Fuel Pump Group	13-18

Fig. 1 – Engine Block Group

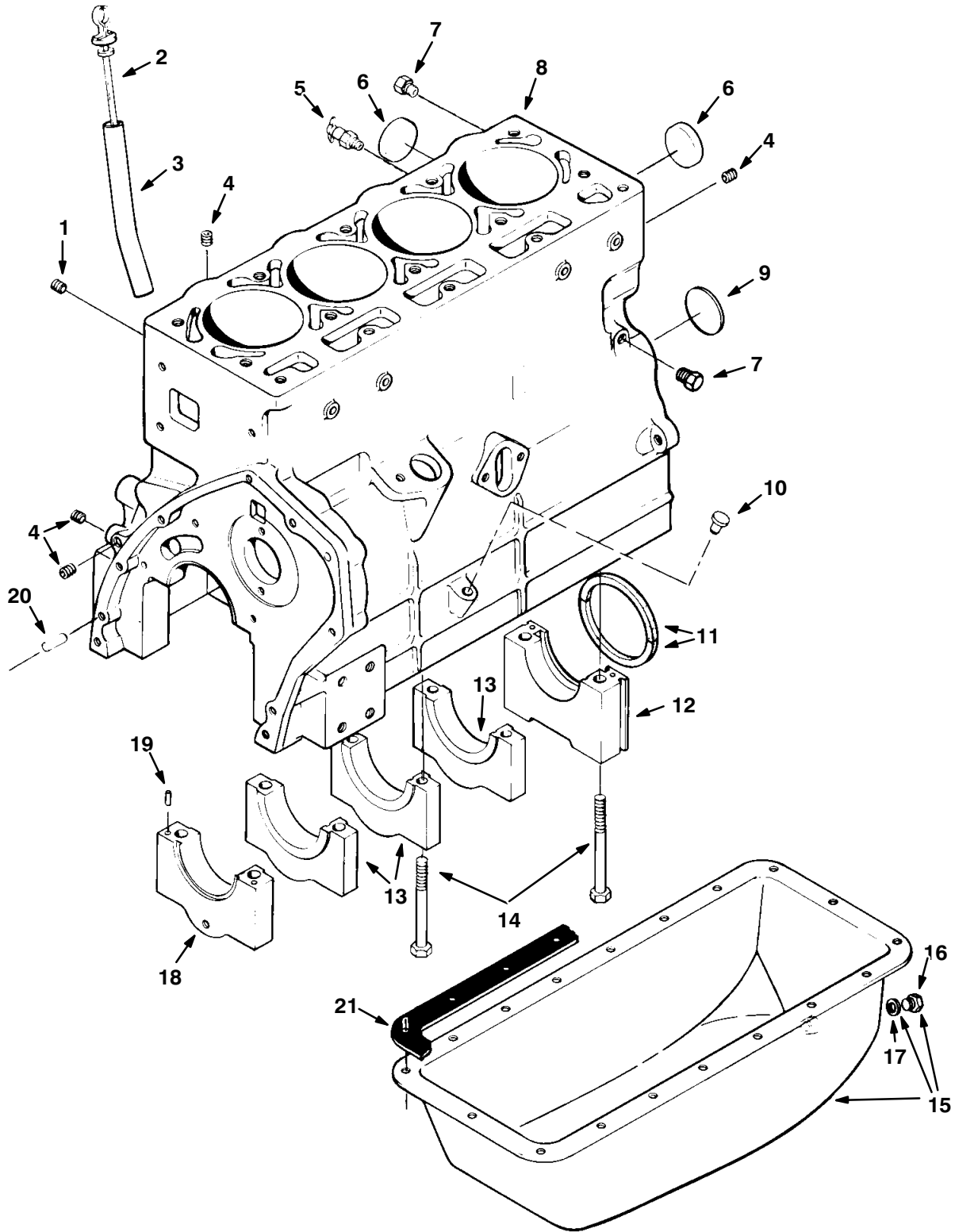


Fig. 1 – Engine Block Group

Ref.	Tennant Part No.	Teledyne Continental Part Number	Description	Qty.
1		X00110	Plug, Crankcase	1
2	38404	TM27L00427	Rod, Oil Gauge	1
3	52736	TM27L00406	Tube, Oil Gauge	1
4		X00137A	Plug, Crankcase	5
5	51305	X01015	Cock, Drain	1
6	78517	X13304	Plug, Cup	5
7		X26129	Plug	2
8	31945	TM27A615605R	Short Block Assembly, R, Includes: Block, Tappets, Camshaft, Crankshaft, Main Bearings, Bearing Caps, Pistons, Piston Pins, Piston Rings, Connecting Rods, Rod Bearings, Thrustplate, Cam Gear, Gear, Oil Pump, Oil Gauge Support, and Gasket Set	1
8	31944	TM27A615802S	Long Block Assembly, S, Includes: R Short Block Assembly Plus – Head, Guides, Valves and Associated Parts, Rocker Arm Shaft Assembly, Pushrods, Head Cover, Gear Cover, Oil Pan, Oil Filler Cap, and Gasket Set	1
9	38413	X02208	Plug, Expansion	1
10		X07663	Plug, Crankcase	1
11	38408	TM27L00513	Seal, Oil	2
12		TM27B00500	Cap and Filler Block, Rear Bearing	1
		X07846	Gasket, Rear Bearing Cap	1
13		TM27B00401	Cap, Crankshaft Bearing	3
14		XM32018	Screw	10
15		TM27B05071	Oil Pan Assembly	1
▽ 15	61711	TM27B05100	Oil Pan Assembly	1
▲ 16	38082	F400B00282	Plug, Drain	1
▲ 17		X14583	Washer, Drain Plug	1
18		TM27B00400	Cap, Crankshaft	1
19		F600B00242	Dowel, Bearing Cap	4
20		X17025	Pin, Dowel	2
21		TM27T00107	Gasket, Oil Pan, Form-in-Place	1

Fig. 2 – Cylinder Head Group

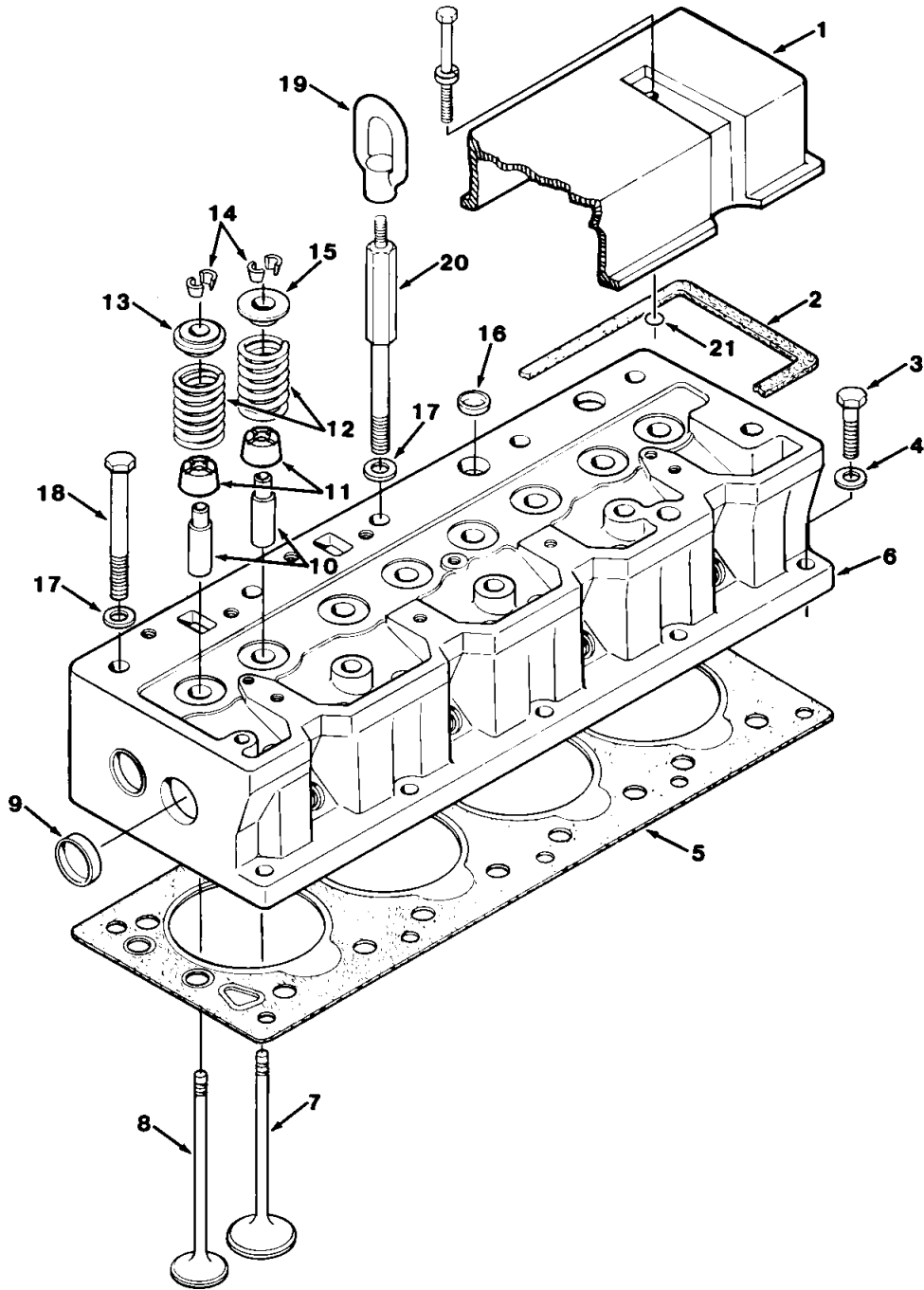


Fig. 2 – Cylinder Head Group

Ref.	Tennant Part No.	Teledyne Continental Part Number	Description	Qty.
1	38397	TM27A00610	Cover, Cylinder Head	1
2	34876	TM27A00502	Gasket, Head Cover	1
3		XM32021	Screw	5
4	37942	13XX14141	Washer, Plain	5
5	38665	TMD27A00205	Gasket, Cylinder Head	1
▽ 6		TM27A06091	Head Assembly, Cylinder	1
▲ 7		TM27I00504	Valve, Intake	4
▲ 8		TM27I00505	Valve, Exhaust	4
▲		TM27A00400	Seat, Exhaust Valve	4
▲		TM27A0040025	Seat, Exhaust Valve, 0.025 mm oversize	4
▲ 9		X02583	Plug, Cup	4
▲ 10		TM27I00316	Guide, Valve Stem	8
▲ 11		TM27I00311	Guard, Valve Stem Oil	8
▲ 12		TM27I00309	Spring, Valve	8
▲ 13		TM27I00308	Roto-Coil, Exhaust	4
▲ 14		CVT03234	Lock, Valve Spring Retainer	16
▲ 15		TM27I00300	Retainer, Valve Spring	4
▲ 16		X07689	Plug, Cup	2
17		XM37003	Washer, Plain	10
18		XM32020	Screw	9
19		XM38004	Eye, Lifting	1
20		XM32094	Screw	1
21		XM39000	O-Ring	3
		TM27U01002	Gasket Set	1

Fig. 3 – Camshaft Group

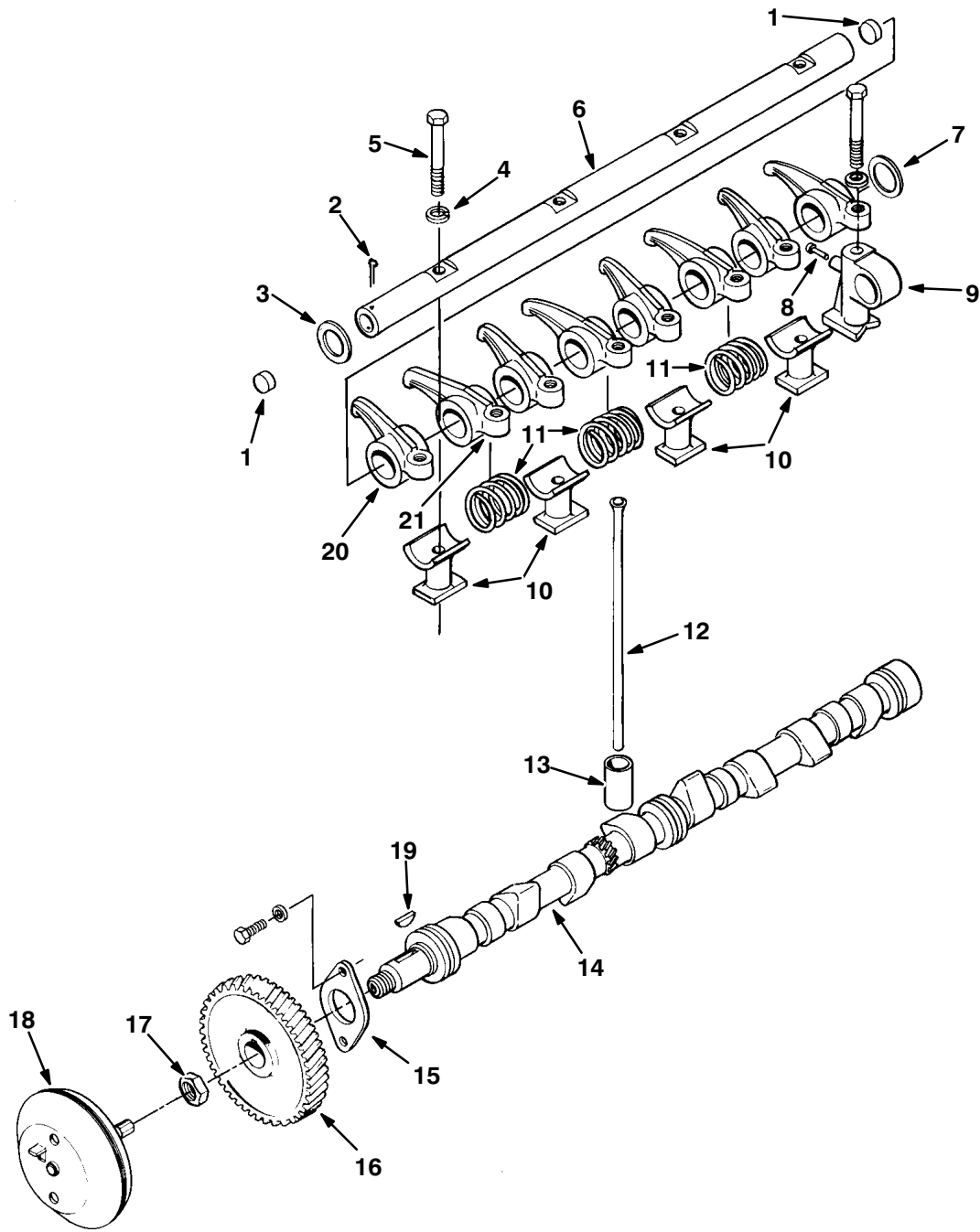
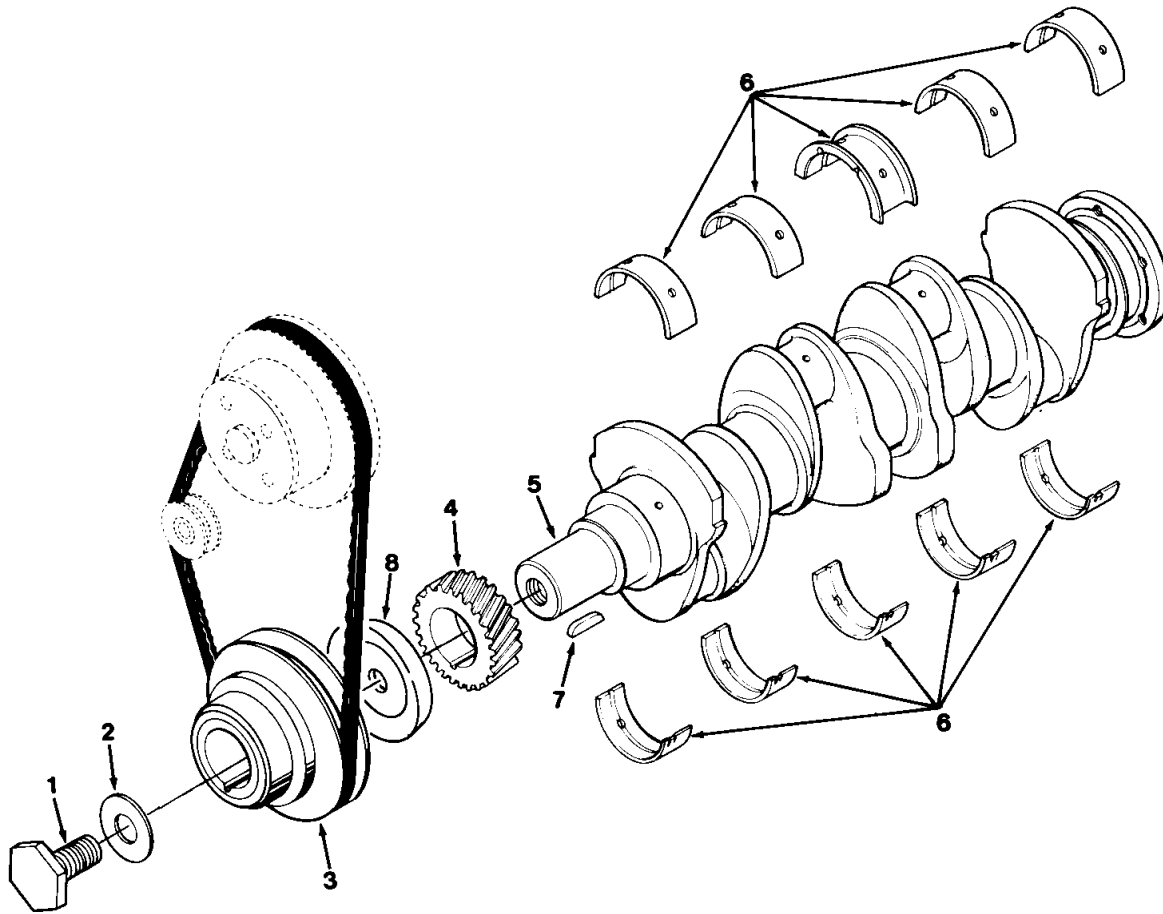


Fig. 3 – Camshaft Group

Ref.	Tennant Part No.	Teledyne Continental Part Number	Description	Qty.
1		TM27I00202	Plug, Shaft Ends	2
2		X00623	Pin, Cotter	2
3		X14589	Washer, Flat	2
4		XM37005	Washer, Flat	5
5		XM32031	Screw	4
6		TM27I00511	Shaft, Rocker Arm	1
7		TM27I00313	Washer, Wavy	2
8		X17066	Pin, Rear Support Top	1
9			Support, Rocker Arm Shaft, Rear	1
10		TM27I00314	Support, Rocker Arm Shaft	4
11		TM27I00303	Spring, Rocker Arm Shaft	3
12		TM27I00403	Rod, Push	8
13		TM27I00305	Tappet, Valve	8
14		TM27I00601	Camshaft	1
15		F400I00246	Plate, Camshaft Thrust	1
16		TM27H00500	Gear, Camshaft	1
17		X18552	Nut	1
18		Z145S03000	Governor Assembly	1
19		X00599D	Key	1
20		TM27I05070	Arm Assembly, Rocker, Exhaust	4
21		TM27I05060	Arm Assembly, Rocker, Intake	4

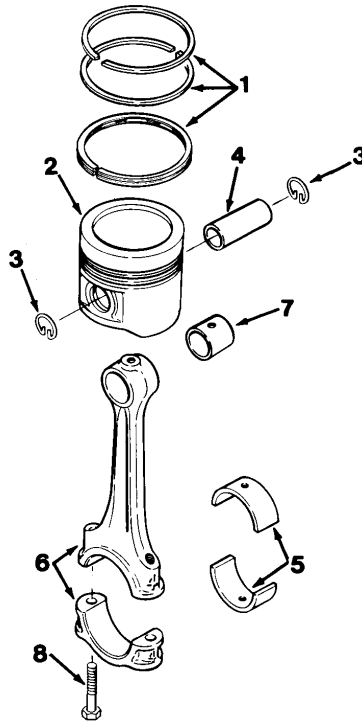
Fig. 4 – Crankshaft Group



/09767 – 550, 1550, G, LP

Ref.	Tennant Part No.	Teledyne Continental Part Number	Description	Qty.
1		XM32064	Screw, Crankshaft	1
2		XM37014	Washer, Plain	1
3		TM27C00401	Pulley, Crankshaft	1
4		TM27H00407	Gear, Crankshaft	1
5		TMD27C00300	Crankshaft	1
6		TM27T00102	Bearing Kit, Crankshaft, Standard	1
6		TM27T00102025	Bearing Kit, Crankshaft, 0.25 mm undersize	1
6		TM27T00102050	Bearing Kit, Crankshaft, 0.50 mm undersize	1
6		TM27T00102075	Bearing Kit, Crankshaft, 0.75 mm undersize	1
6		TM27T00102100	Bearing Kit, Crankshaft, 1.00 mm undersize	1
7		X00666	Key	1
8		TM27C00408	Slinger, Oil	1

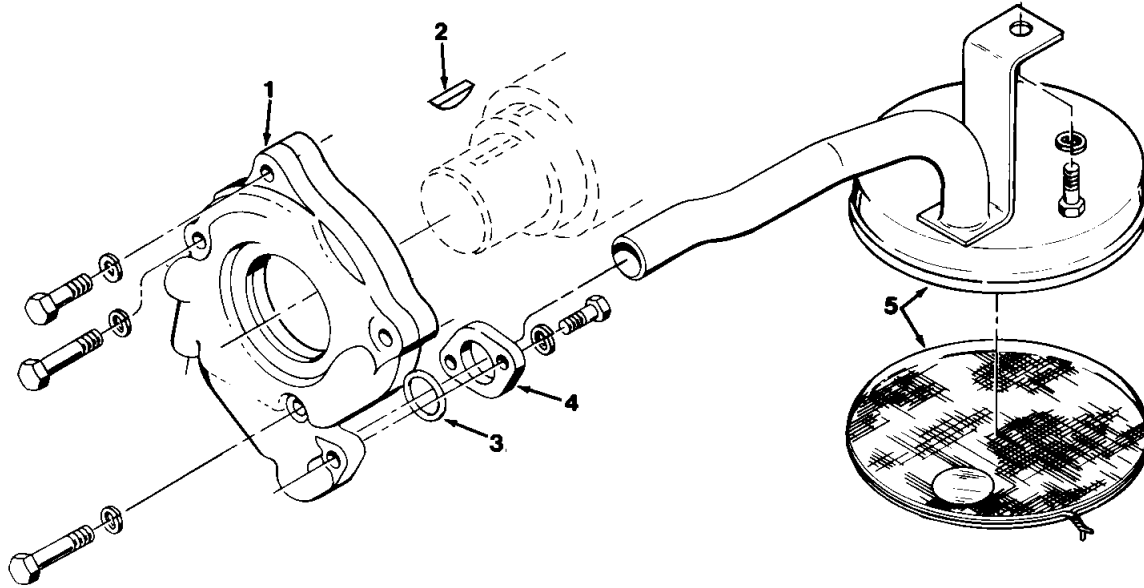
Fig. 5 – Piston Group



01610 – 550, 1550, G, LP

Ref.	Tennant Part No.	Teledyne Continental Part Number	Description	Qty.
1		TM27T00120	Ring Kit, Re-Ring, Standard	4
1		TM27T00106050	Ring Kit, Re-Ring, 0.50 mm Oversize	4
1		TM27T00106075	Ring Kit, Re-Ring, 0.75 mm Oversize	4
1		TM27T00106100	Ring Kit, Re-Ring, 1.00 mm Oversize	4
2		TM27A05001E	Piston Assembly, Standard	4
2		TM27A05001E050	Piston Assembly, 0.50 mm Oversize	4
2		TM27A05001E075	Piston Assembly, 0.75 mm Oversize	4
∇ 2		TM27A05001E100	Piston Assembly, 1.00 mm Oversize	4
▲ 3		K800A00203	Ring, Retaining	2
▲ 4		TM27A00300	Pin, Piston	1
5		TM27T00103	Bearing Kit, Connecting Rod, Standard	1
5		TM27T00103025	Bearing Kit, Connecting Rod, 0.25 mm undersize	1
5		TM27T00103050	Bearing Kit, Connecting Rod, 0.50 mm undersize	1
5		TM27T00103075	Bearing Kit, Connecting Rod, 0.75 mm undersize	1
5		TM27T00103100	Bearing Kit, Connecting Rod, 1.00 mmundersize	1
∇ 6		TMD27D03001	Rod Assembly, Connecting	4
▲ 7		TM27G00301	Bushing, Piston Pin	4
▲ 8		Z145D00300	Bolt, Connecting Rod	8

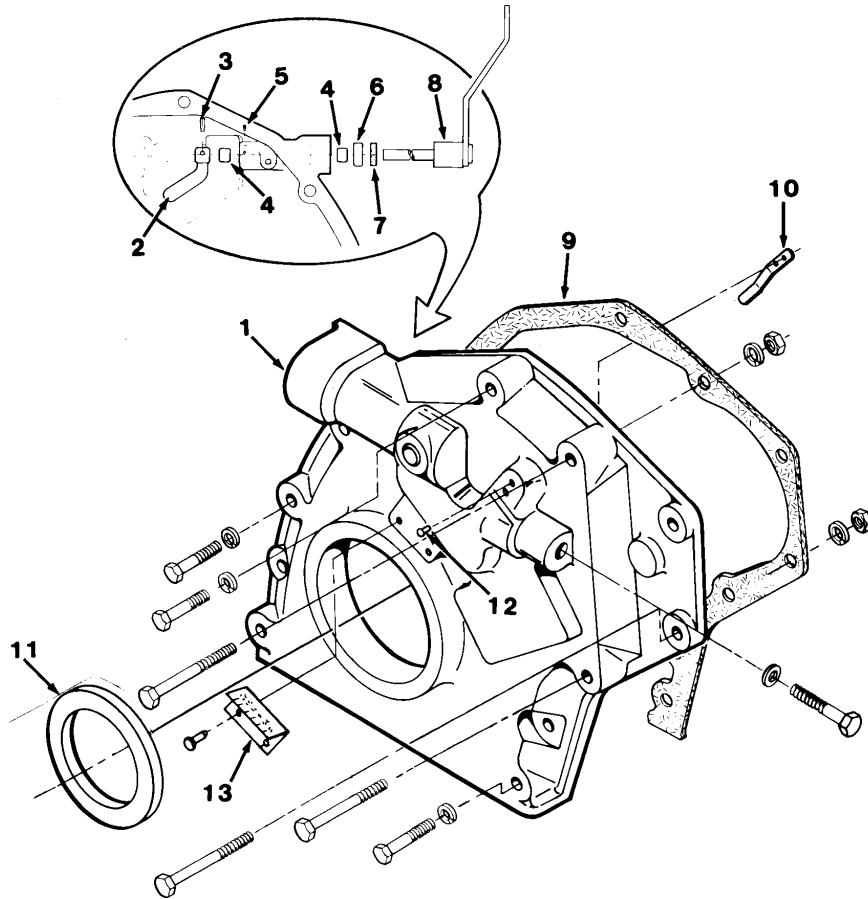
Fig. 6 – Oil Pump Group



01611 – 550, 1550, G, LP

Ref.	Tennant Part No.	Teledyne Continental Part Number	Description	Qty.
1		TM27L06030	Pump, Oil	1
2		X00692	Key, Woodruff	1
3		X01673	O-Ring	1
4		TM27L00200	Adapter, Inlet Tube	1
5		TM27L05100	Tube Assembly, Oil Pump Inlet	1

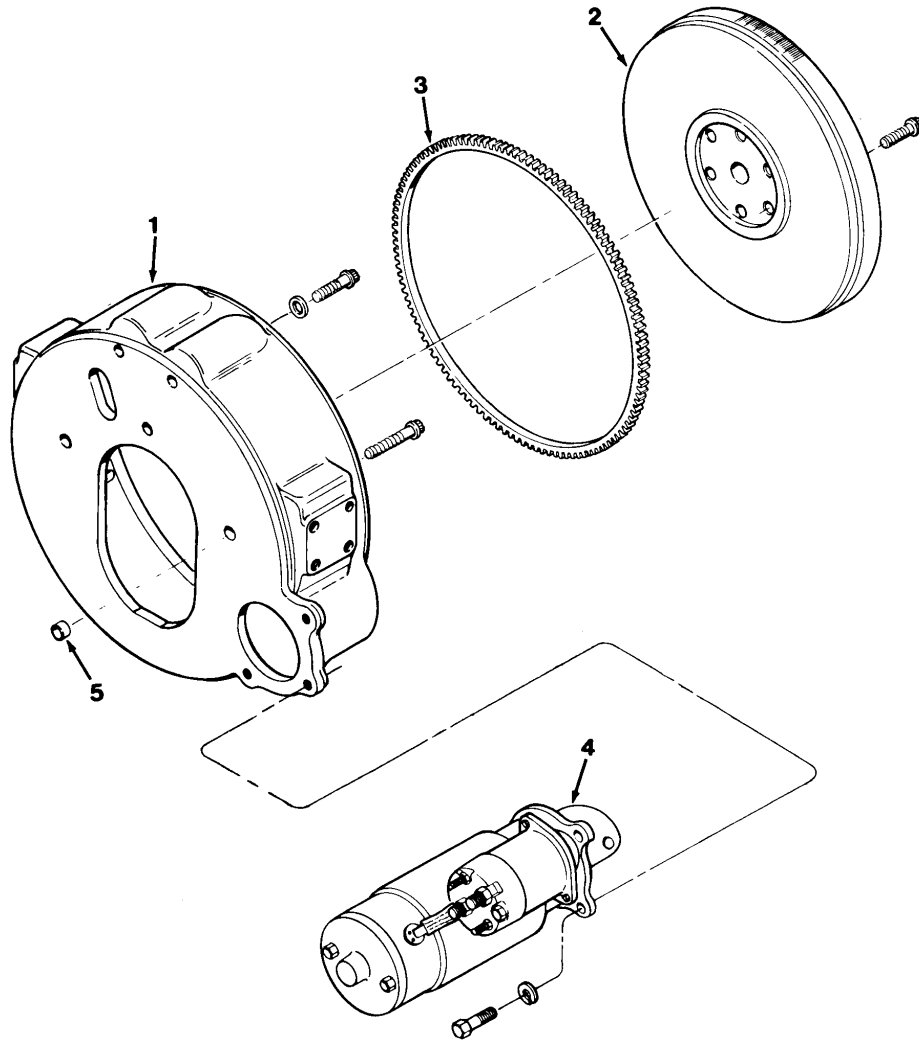
Fig. 7 – Gear Cover Group



01612–550, 1550, G, LP

Ref.	Tennant Part No.	Teledyne Continental Part Number	Description	Qty.
▽ 1		TM27B06005	Cover Assembly, Gear	1
▲ 2		Z120S00203	Arm, Rocker	1
▲ 3		X17040	Pin, Groove	1
▲ 4		Z120S00202	Bearing, Rocker Shaft	2
▲ 5		X17045	Pin, Groove	1
▲ 6		D600S00207	Seal, Shaft Oil	1
▲ 7		Z120S00207	Seal, Shaft	1
▲ 8		TM27S04080	Lever and Shaft Assembly, Governor, Gasoline	1
▲ 8		TM27S00406	Lever and Shaft Assembly, Governor, LPG	1
▲ 9	38381	TMD27B00529	Gasket, Gear Cover	1
▲ 10		TM27S00302	Spring, Governor Bumper	1
▲ 11	38416	X07845	Seal, Oil	1
▲ 12		X17048	Rivet	2
		TM27B00300	Pointer, Engine Timing	1
		TM27U02001	Gasket Set, Front	1

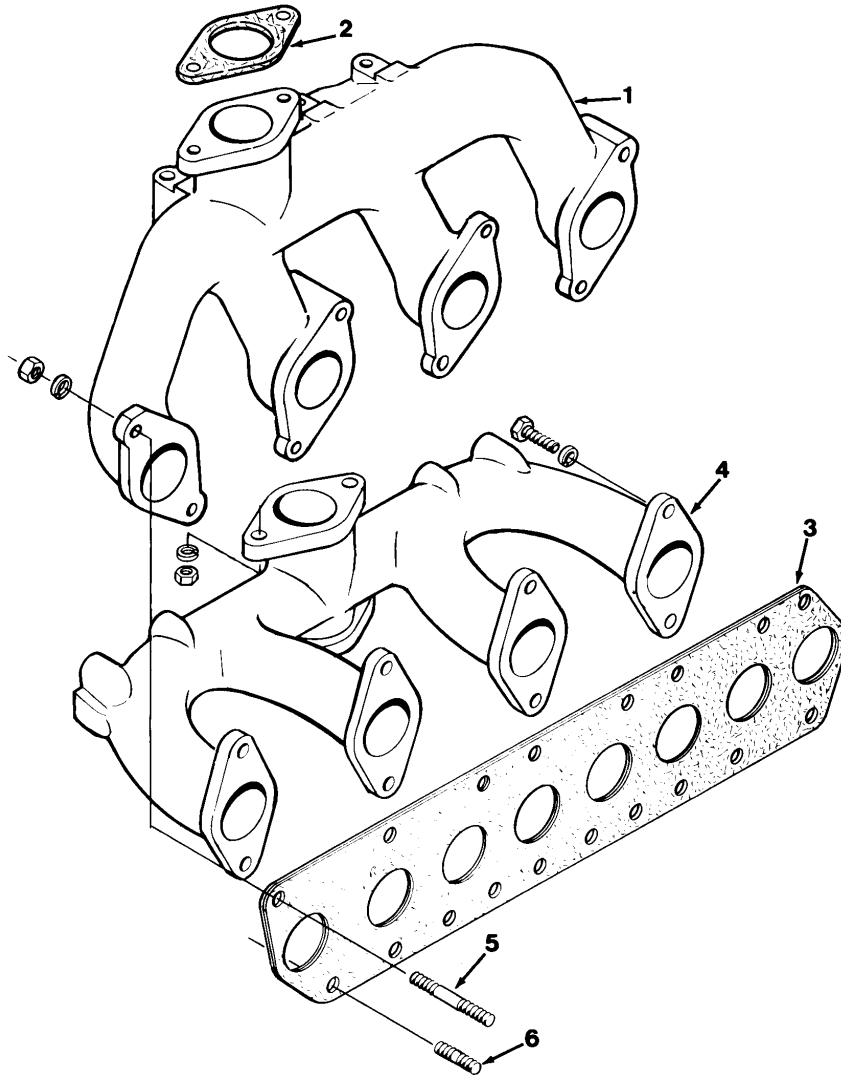
Fig. 8 – Flywheel and Starter Group



01613-550, 1550, G, LP

Ref.	Tennant Part No.	Teledyne Continental Part Number	Description	Qty.
1	16143	F140B00320	Housing, Flywheel	1
▽ 2	16851	TM13C03100	Flywheel	1
▲ 3	16852	TM13C00502	Ring Gear	1
4	16865	TMD13M00500	Starter	1
5		X07005	Dowel, Ring	2

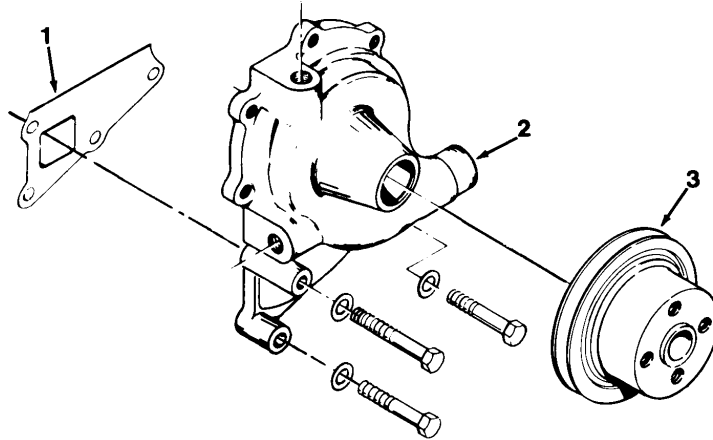
Fig. 9 – Intake and Exhaust Manifold Group



09761 – 550, 1550, G, LP

Ref.	Tennant Part No.	Teledyne Continental Part Number	Description	Qty.
1	38420	TM27E00601	Manifold, Exhaust	1
▽	34640		Gasket Set, Manifold	1
▲	2	TM27E00300	Gasket, Manifold	1
▲	3	TM27E00400	Gasket, Manifold	1
4		TM27F00507	Manifold, Intake	1
5		XM32050	Stud	2
6		XM32022	Stud	6

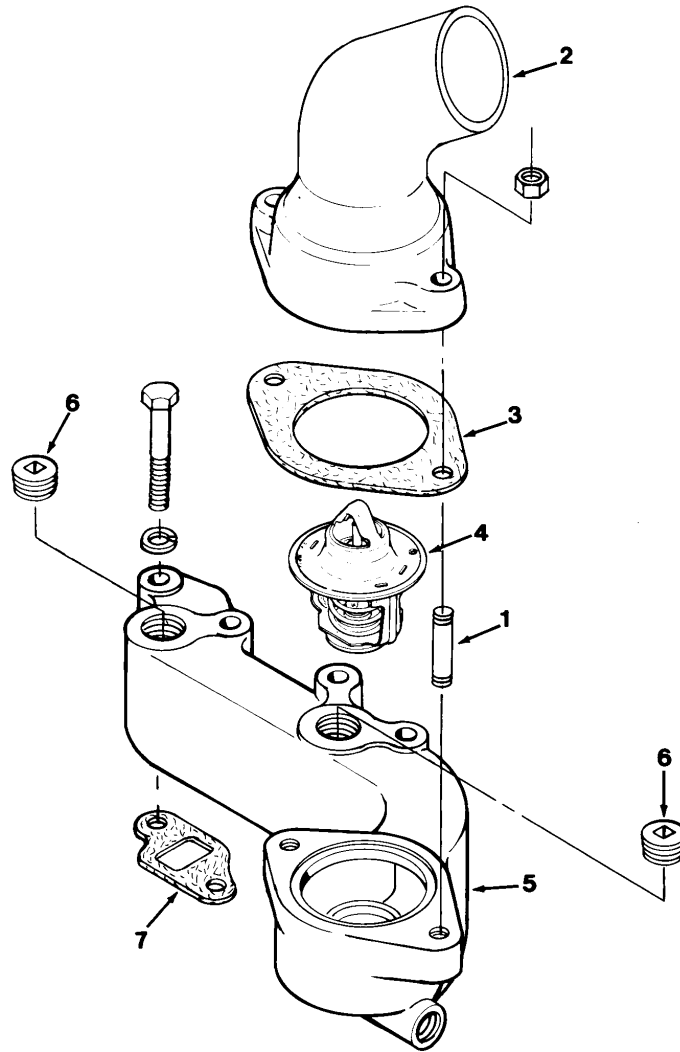
Fig. 10 – Water Pump Group



01615 – 550, 1550, G, LP

	Tennant Ref.	Tennant Part No.	Teledyne Continental Part Number	Description	Qty.
▽		34830		Pump and Gasket, Water	1
▲	1	34873	TM27K00301	Gasket, Water Pump to Crankcase	1
▲▽	2	34429	TM27K06051	Pump, Water	1
▲▲			TM27T01003	Repair Kit, Water Pump	1
▲▲	3		TM27K00412	Pulley, Water Pump	1

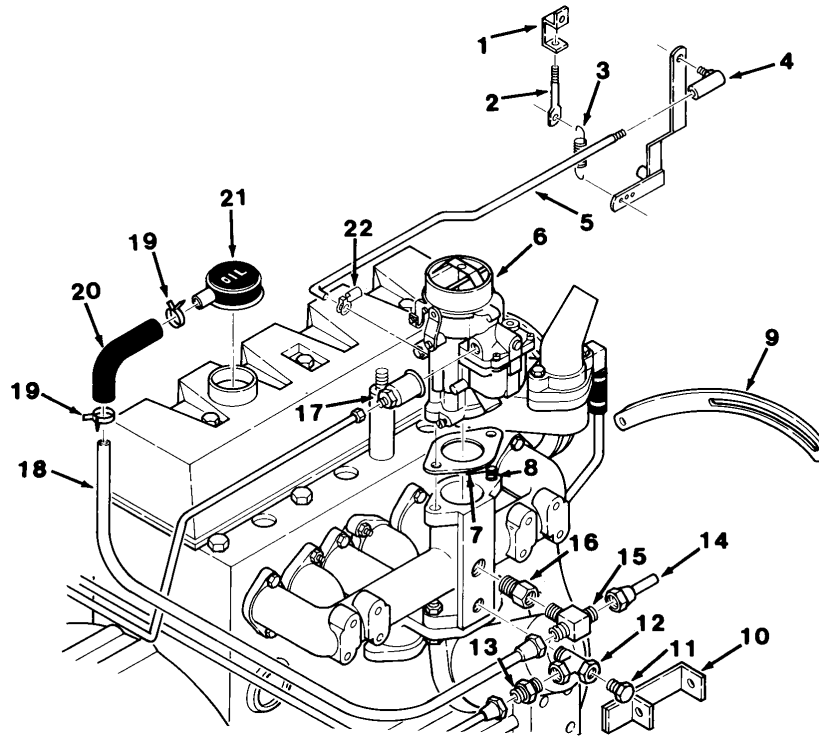
Fig. 11 – Water Header and Thermostat Group



01616 – 550, 1550, G, LP

Ref.	Tennant Part No.	Teledyne Continental Part Number	Description	Qty.
1		XM32001	Stud	2
2	38401	TM27K00310	Elbow, Water Outlet	1
▽	34752		Thermostat and Gasket	1
▲	53988-12	C400K00215	Gasket, Elbow	1
▲	53988-13	F601K00303	Thermostat	1
5		TM27K00503	Header, Water Outlet	1
6		X00101B	Plug	2
7		TM27K00304	Gasket, Header	2

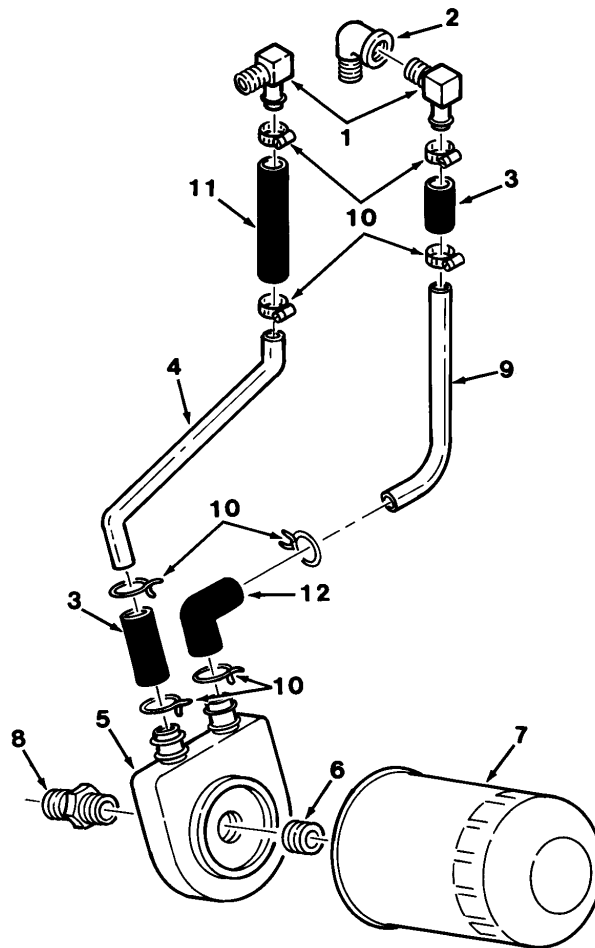
Fig. 12 – Carburetor and Controls Group



01618 – 550, 1550, G, LP

Ref.	Tennant Part No.	Teledyne Continental Part Number	Description	Qty.	
1		TM27S00314	Anchor, Governor Spring	1	
2		TM27S00318	Screw, Governor Spring	1	
3		F401S00230	Spring, Governor	1	
4		X13201	Balljoint	1	
5		TM27S00316	Rod, Control	1	
▽	34798		Carburetor and Gasket, LPG	1	
▲	6	39797	TM27F00421	Carburetor, LPG	1
▲	7	38010	M330F00253	Gasket, Carburetor	1
▲		34797		Carburetor Repair Kit	1
▽	65948		Carburetor and Gasket, Gasoline	1	
▲		65949	TM27F00205	Carburetor, Gasoline	1
▲		65950	TM27F00206	Gasket, Carburetor	1
8		XM32048	Stud	2	
9		TM27M00308	Strap, Adjusting, Alternator	1	
10		TM27M00401	Bracket, Alternator	1	
11		X26129	Plug	1	
12		X12671	Tee	1	
13		X12131	Connector	1	
14		TM27F02000	Adapter	1	
15		X26153	Tee	1	
16		X26146	Adapter	1	
17	34749	TM27F00304	Filter, Fuel, Gasoline	1	
18		TM27F05180	Tube, PCV	1	
19		X02708	Clamp	2	
20		F401F00274	Hose	1	
21	38403	TM27L00412	Cap, Oil Filler	1	
22		X05696	Clip, Rod End	1	

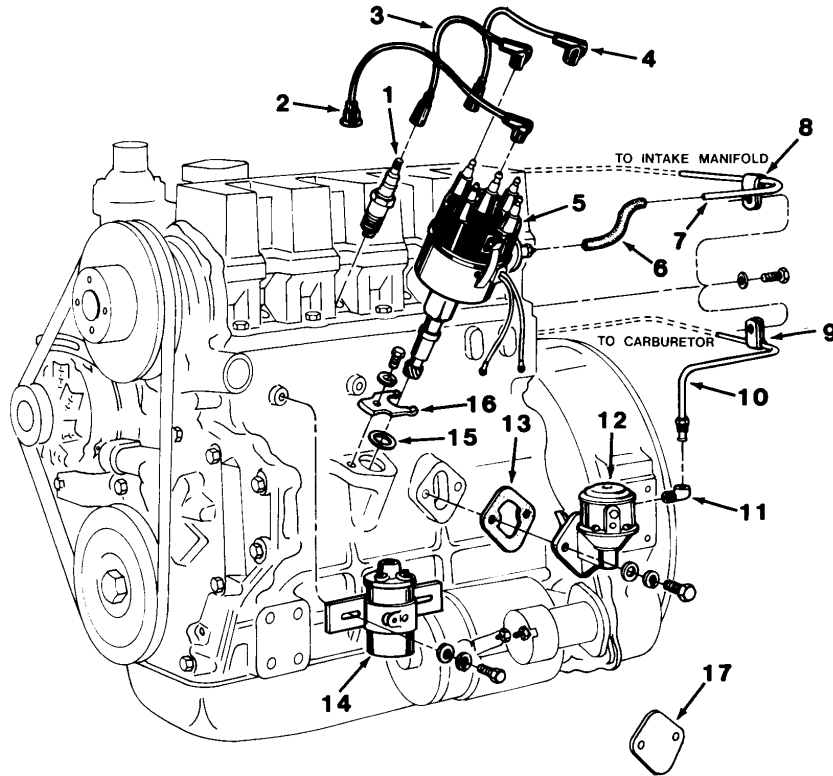
Fig. 13 – Oil Filter Group



09772 – 550, 1550, G, LP

Ref.	Tennant Part No.	Teledyne Continental Part Number	Description	Qty.
1	47388	X26142	Elbow, Water Header	2
2		X12191	Elbow, Water Pump	1
3		X08253020	Hose, Oil Cooler	2
4	38409	TM27L00516	Tube, Oil Cooler	1
5	38405	TM27L00420	Cooler, Oil	1
6	38402	TM27L00202	Adapter, Oil Filter	1
7	16853	TM27L00312	Element, Oil Filter	1
8		TM27L00204	Connector, Oil Cooler	1
9	38406	TM27L00423	Tube, Oil Cooler	1
10		X02751	Clamp, Hose	8
11		X08253040	Hose, Oil Cooler	1
12		TM27L00208	Hose, Oil Cooler	1

Fig. 14 – Distributor and Fuel Pump Group



01617 – 550, 1550, G, LP

Ref.	Tennant Part No.	Teledyne Continental Part Number	Description	Qty.	
1	34726	SP200S00009RNYC	Spark Plug, Gasoline	4	
1	34297	SP200S00006RNY	Spark Plug, LPG	4	
▽	34727		Wire Set, Spark Plug	1	
▲	2	34299	FW00313080	Wire, Coil	1
▲	3	16690	FW00312080	Wire, Spark Plug #1, #2	2
▲	4	34298	FW00312120	Wire, Spark Plug, #3, #4	2
▽	5	38410	TM27M00502	① Distributor Assembly, (replaced by 09892)	1
▲		34193	① Cap	1	
▲		34189	① Rotor	1	
▽	5	38991	TM27M00510	② Distributor Assembly	1
▲		09819	TM27M00234	② Cap and Gasket	1
▲		09837	TM27M00224	② Rotor	1
▲		09852	20120003	② Cover, Dust	1
▲		09910	20120010	② Cap, Gasket	1
▲		09861	20120004	② Magnet	1
▲		09867	TM27M00226	② Module	1
▲			TM27M00235	② Weights Set, Advance	1
▲		09890	TM27M00231	② Spring Set, Advance	1
▲		09891	TM27M00232	② Vacuum Advance	1
▲		09857	TM27M00225	② Gear Kit	1
▲		09930	20120011	② Spacer, Rotor	1
	6	X08258080	① Hose, Vacuum	1	
	6	X08258110	② Hose, Vacuum	1	
	7	TM27F05140	Tube, Vacuum	1	
	8	X07737	Clip	1	

Fig. 14 – Distributor and Fuel Pump Group

Ref.	Tennant Part No.	Teledyne Continental Part Number	Description	Qty.
9		X07738	Clip	1
10	38550	TM27F05130	⑤ Tube, Fuel (for Engines 34920/34930) (Replaced by none)	1
10	33855	TM27F05200	⑥ Tube, Fuel (for Engines 34920/34930)	1
10		TM27F05190	Tube, Fuel (for Engines 16860/16870)	1
11		X12015	Elbow	1
	33843		⑤ Pump Replacement Kit	1
▽	33848		⑥ Pump and Gasket, Fuel	1
▲	12 33849	TM27F00425	Pump, Fuel	1
▲	13 47680	X01698	Gasket, Fuel Pump	1
	14 38423	F401M00343	① Coil Assembly, Ignition, (replaced by 38992)	1
		38006	① Clamp, Coil, (replaced by 38992)	1
▽	14 38992	TM27M3170	③ Coil Assembly, Ignition (replaced by 79092)	1
▲		79092	③ Coil Replacement Kit	1
▲		79091	④ Coil	1
▲		TM27M00229	② Bracket, Coil	1
▲		09877	③ Restistor (replaced by 79092)	1
▲		TM27M00230	② Bracket, Resistor	1
	15	F401M00219	Gasket, Distributor	1
	16	Z145M00308	Clamp, Distributor	1
	17	F600B00234	Cover, Fuel Pump Hole, LPG	1
	33850	F601F00304	⑥ Plate, Adapter, Pump	1

- ① Teledyne Continental Engine Serial Number (000000–302530)
- ② Teledyne Continental Engine Serial Number (302531–)
- ③ Teledyne Continental Engine Serial Number (302531– xxxxxx)
- ④ Teledyne Continental Engine Serial Number (xxxxxx–)
- ⑤ Teledyne Continental Engine Serial Number (000000–000472)
- ⑥ Teledyne Continental Engine Serial Number (000473–)

SECTION 14

CONTENTS	PAGE
Fig. 1 – Engine Block Group	14-2
Fig. 2 – Fuel System Group	14-4
Fig. 3 – Cylinder Head Group	14-6
Fig. 4 – Camshaft Group	14-8
Fig. 5 – Crankshaft Group	14-9
Fig. 6 – Piston Group	14-10
Fig. 7 – Oil Pump Group	14-11
Fig. 8 – Gear Cover Group	14-12
Fig. 9 – Flywheel and Starter Group	14-13
Fig. 10 – Intake and Exhaust Manifold Group	14-14
Fig. 11 – Water Pump Group	14-15
Fig. 12 – Water Header and Thermostat Group	14-16
Fig. 13 – Alternator Brackets and PCV Group	14-17
Fig. 14 – Oil Filter Group	14-18

Fig. 1 – Engine Block Group

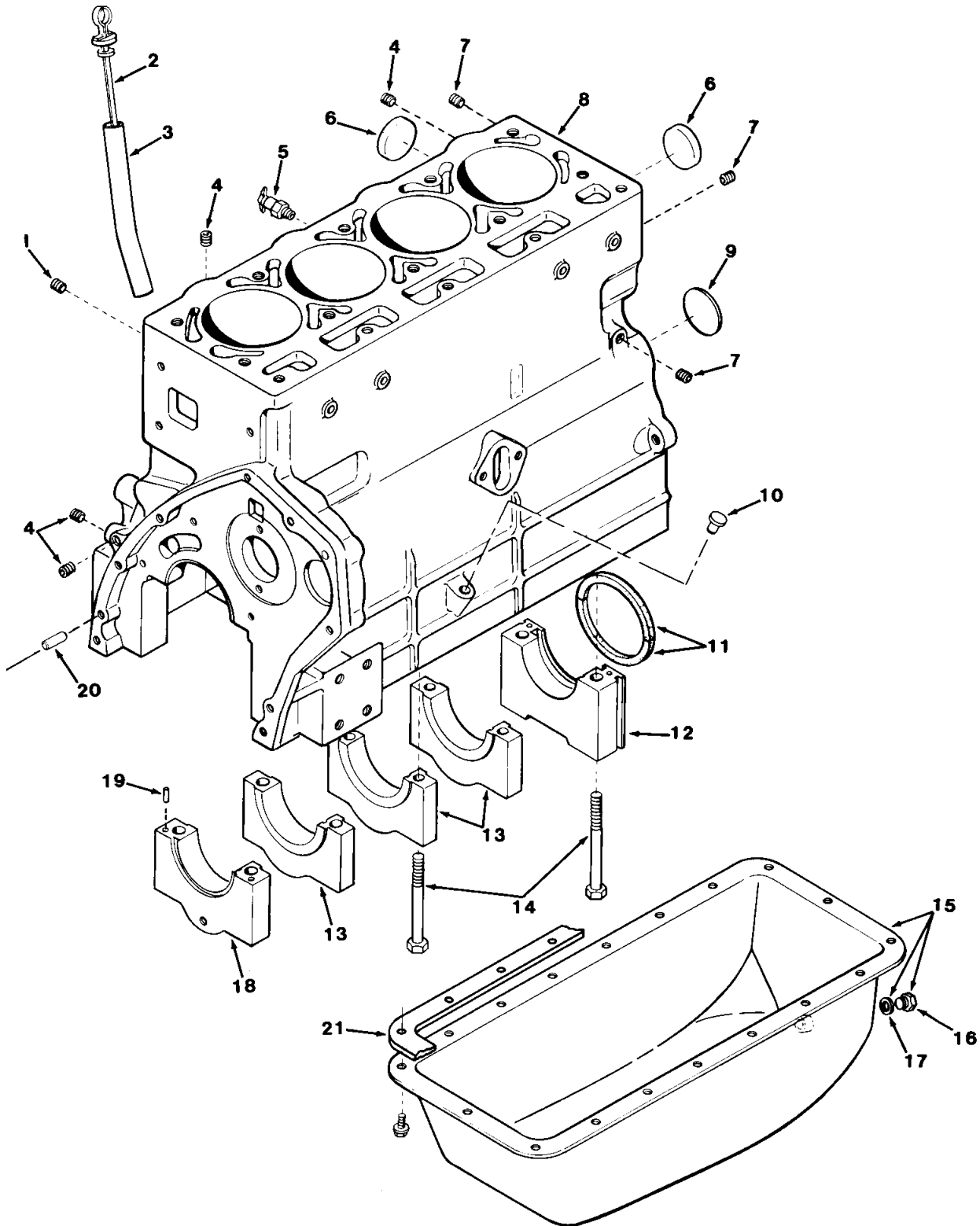


Fig. 1 – Engine Block Group

Ref.	Tennant Part No.	Teledyne Continental Part Number	Description	Qty.	
1		X00110	Plug	1	
2	38404	TM27L00427	Rod, Oil Gauge	1	
3	52736	TM27L00406	Tube, Oil Filler	1	
4		X00137A	Plug	5	
5	51305	X01015	Cock, Water Drain	1	
6	78517	X13304	Plug, Cup	5	
7		X26129	Plug	2	
8	31943	TMD27A610602R	Short Block Assembly, R, Includes: Block, Tappets, Camshaft, Crankshaft, Main Bearings, Bearing Caps, Pistons, Piston Pins, Piston Rings, Connecting Rods, Rod Bearings, Thrust Plate, Cam Gear, Gear, Oil Pump, Oil Gauge Support, and Gasket Set	1	
8	31942	TMD27A610802S	Short Block Assembly, S, Includes: R ShortBlock Assembly Plus – Head, Guides, Valves and Associated Parts, Rocker Arm Shaft Assembly, Pushrods, Head Cover, Gear Cover, Oil Pan, Oil Filler Cap, and Gasket Set	1	
9	38413	X02208	Plug, Expansion	1	
10		X07663	Plug	1	
11	38408	TM27L00513	Seal, Oil	2	
12		TMD27B00502	Cap And Filler Block, Rear Bearing	1	
		X07846	Gasket, Rear Bearing Cup	1	
13		TMD27B00403	Cap, Crankshaft Bearing	3	
14		XM32018	Screw	10	
15		TM27B05071	Pan Assembly, Oil	1	
▽	15	61711	TM27B05100	Pan Assembly, Oil	1
▲	16	38082	F400B00282	Plug, Drain	1
▲	17		X14583	Washer, Drain Plug	1
18		TMD27B00402	Cap, Crankshaft Bearing, Front	1	
19		F600B00242	Dowel, Bearing Cap, Front and Rear	4	
20		X17025	Pin, Dowel, Gear Cover to Crankcase	2	
21	38758	TM27T00107	Gasket, Oil Pan, Form-In-Place	1	

Fig. 2 – Fuel System Group

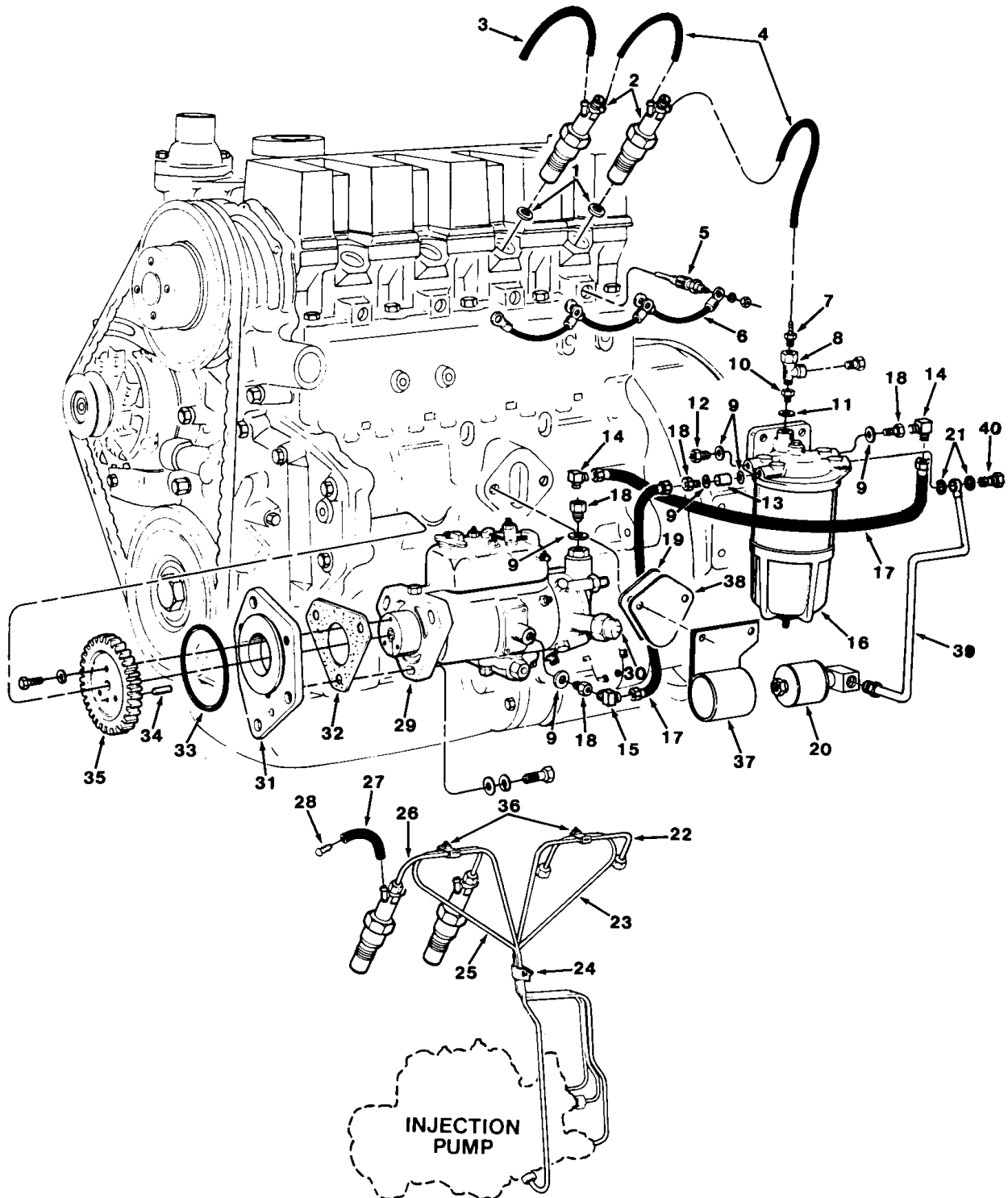


Fig. 2 – Fuel System Group

Ref.	Tennant Part No.	Teledyne Continental Part Number	Description	Qty.	
1	38393	TMD27F00301	Shield, Heat	4	
▽	2	78520	TMD27T00203	Nozzle and Tip Assembly	4
▲		78521	TMD27T00204	Tip, Nozzle	4
3	38411	XM38003050	Hose, Fuel	1	
4		XM38003054	Hose, Fuel	3	
5	38386	TMD27F00300	Plug, Glow	4	
6		LW00203042	Wire, Glow Plug	3	
7	38419	X26144	Adapter	1	
		TMD27F00305	Adapter (For Engine 16850)	1	
8	38417	X12671	Tee	1	
9		X14434	Washer	6	
10	38412	XM40000	Adapter	1	
11		X14134	Washer, Copper	1	
12		TMD27F00214	Plug	1	
13		TMD27F00405	Valve, Check	1	
14		X12393	Adapter	1	
15		X12489	Elbow, #3 Inlet	2	
▽	16	38388	TMD27F00506	Filter, Fuel And Water Separator	1
▲		52770-9	TMD27F00212	Element, Fuel Filter	1
17		X08261110	Hose	2	
		X08016120	Hose, Injection (For Engine 16850)	1	
18		X26140	Adapter	5	
19	47680	X07861	Gasket, Fuel Pump	2	
20	16706	TMD20F00506	Pump, Fuel	1	
21	16712	TMD27F00309	Washer, Sealing	2	
22	38396	TMD27F05120	Tube Assembly, Fuel Injection #4	1	
23	38395	TMD27F05110	Tube Assembly, Fuel Injection #3	1	
24	38384	TMD27F00220	Clamp, Injection Line	1	
25	38391	TMD27F05100	Tube Assembly, Fuel Injection #2	1	
26	38390	TMD27F05090	Tube Assembly, Fuel Injection #1	1	
27		XM38003020	Hose, Fuel, #1 Leak-off End	1	
28		X26138	Plug	1	
▽	29	38392	TMD27F00224	Pump, Fuel Injection (Replaced by none)	1
▲	30	16739		Solenoid, Fuel Shut-Off	1
31		TMD27B00404	Adapter	1	
32	38379	TMD27B00300	Gasket, Injection Pump	1	
33	38415	X07837	O-Ring	1	
34		TMD27F00200	Pin	1	
35		TMD27H00403	Gear, Injection Pump	1	
36	38385	TM27F00221	Clamp, Injection Line	2	
		TMD27F00233	Clamp, Leak-Off Line	10	
37	16708	TMD27F00311	Bracket, Fuel Pump	1	
38	16707	F600B00234	Cover, Fuel Pump	1	
39	16710	TMD27F05200	Tube Assembly	1	
40	16711	TMD27F00308	Fitting, Banjo	1	

Fig. 3 – Cylinder Head Group

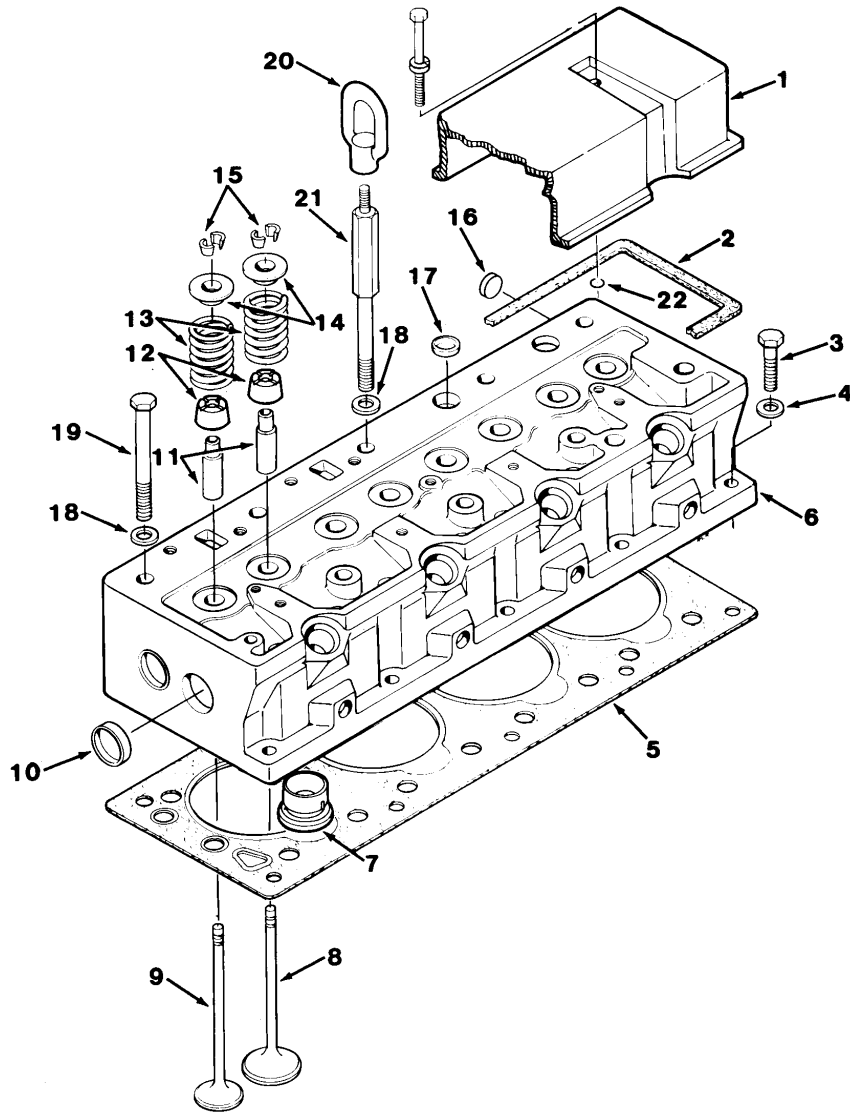
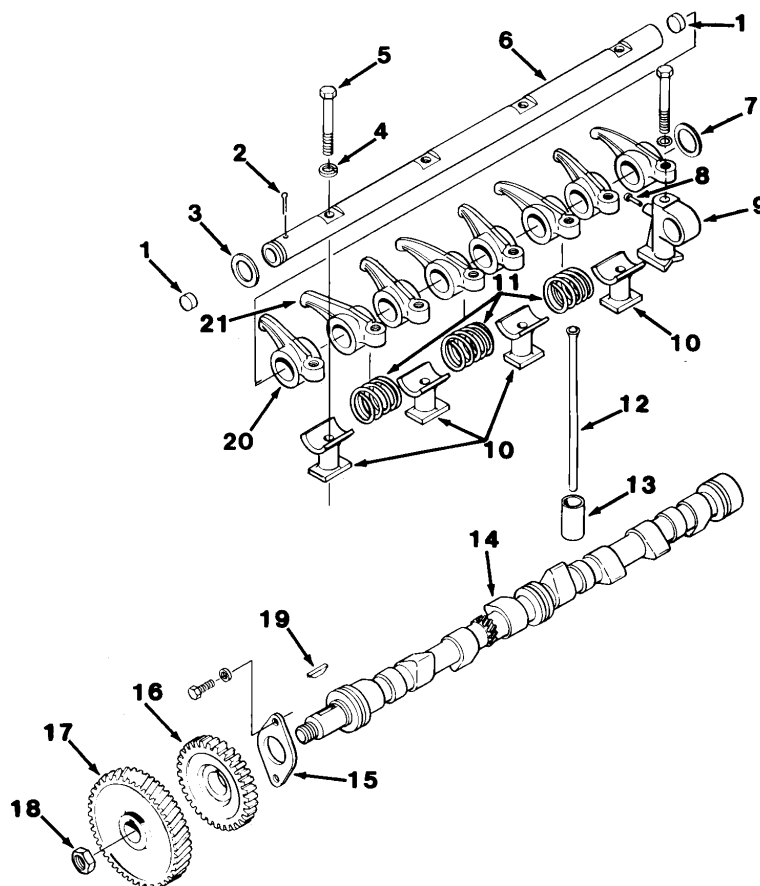


Fig. 3 – Cylinder Head Group

Ref.	Tennant Part No.	Teledyne Continental Part Number	Description	Qty.
1		TM27A0610	Cover, Cylinder Head	1
2	34876	TM27A00502	Gasket, Cover	1
3		XM32021	Screw	5
4	37942	13XX14141	Washer, Plain	5
5		TMD27A00507	Gasket, Cylinder Head (For Engine 34910)	1
5		TMD27A00205	Gasket, Cylinder Head (For Engine 16850)	1
▽	6 52757	TMD27A06031	Head, Cylinder	1
▲	7 52756	TMD27A00500	Insert, Combustion Chamber	4
▲	8 42006	TMD27I00502	Valve, Intake	4
▲	9 42009	TMD27I00501	Valve, Exhaust	4
▲	10 61741	X02583	Plug, Cup	4
▲	11 16153	F400I00251	Guide, Valve Stem	8
▲	12 52760	TMD27I00401	Guard, Valve Stem Oil	8
▲	13 42116	TM27I00309	Spring, Valve	8
▲	14	TM27I00300	Retainer, Valve Spring	8
▲	15	CVT03234	Lock, Valve Spring Retainer	16
▲	16 10100	X07606	Plug, Cup	4
▲	17	X07689	Plug, Core	2
	18 52898	XM37003	Washer, Flat	10
	19	XM32020	Screw	9
	20	XM38004	Eye, Lifting	1
	21	XM32094	Screw	1
	22 61725	XM39000	O-Ring	3
		TMD27U01001	Gasket Set, Top (For Engine 34910)	1
		TMD27U01002	Gasket Set, Top (For Engine 16850)	1

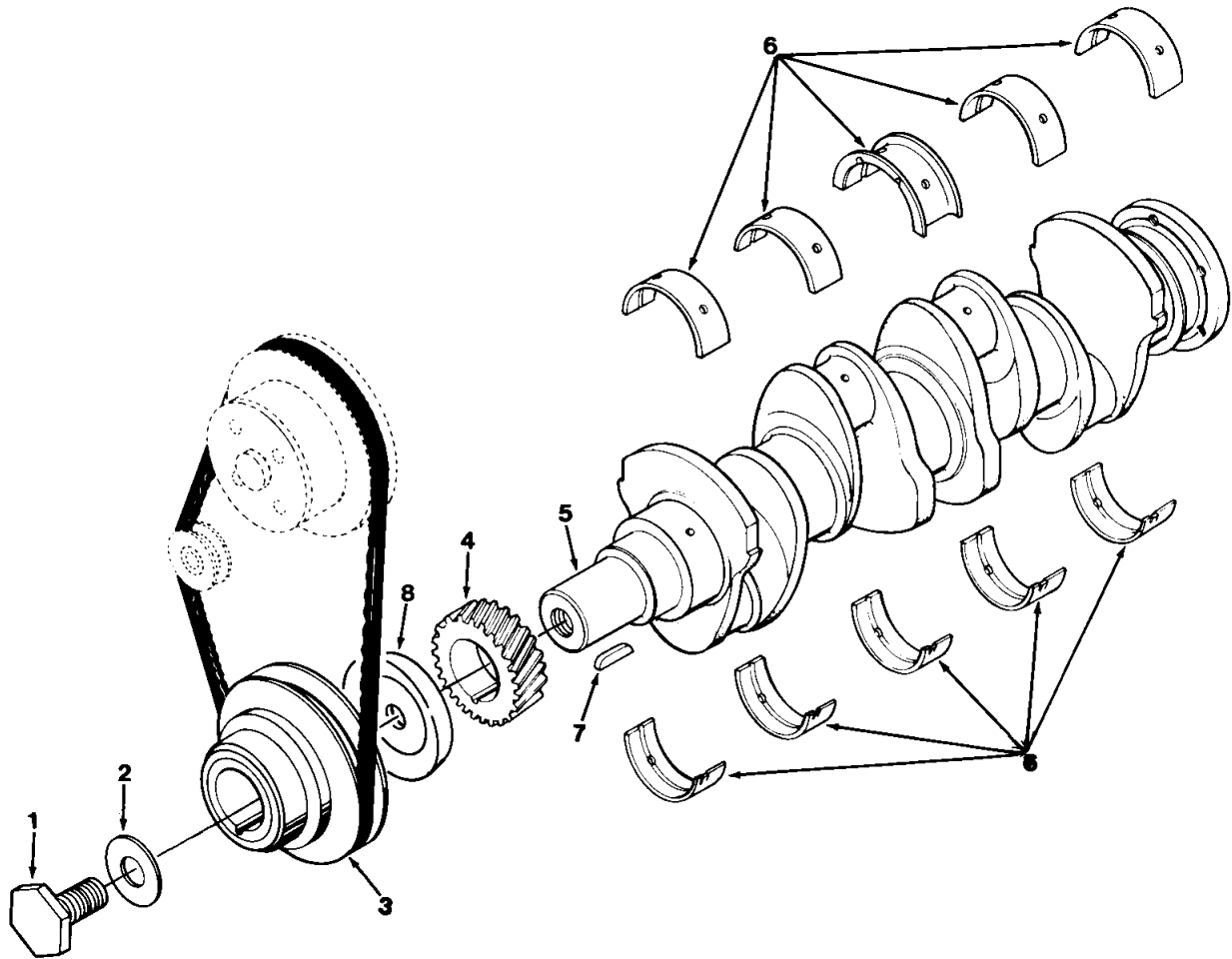
Fig. 4 – Camshaft Group



01622 – 550, 1550, D

Ref.	Tennant Part No.	Teledyne Continental Part Number	Description	Qty.
1		X02544	Plug, Shaft Ends	2
2		X00623	Pin, Cotter	2
3		X14589	Washer, Rocker Arm Shaft	2
4		XM37005	Washer, Flat	4
5		XM32031	Screw	4
6		TM27I00511	Shaft, Rocker Arm	1
7		TM27I00306	Washer, Wavy	1
8		X17066	Pin, Rear Support Top	1
9			Support, Rocker Arm Shaft, Rear	1
10		TM27I00314	Support, Rocker Arm Shaft	4
		TM27I00313	Spring, Rocker Shaft Ends (For Engine 16850)	1
11		TM27I00303	Spring, Rocker Arm Shaft	3
12		TM27I00403	Rod, Push	8
13	52725	TM27I00305	Tappet, Valve	8
14		TMD27I00402	Camshaft	1
15	38753	F400I00246	Plate, Camshaft Thrust	1
16	42328	TMD27H00402	Gear, Injection Pump Driver	1
17		TMD27H00503	Gear, Camshaft	1
18	52859	X18498	Nut	1
19	42337	X00599D	Key	1
20		TM27I05130	Arm Assembly, Rocker, Exhaust	4
21		TM27I05120	Arm Assembly, Rocker, Intake	4

Fig. 5 – Crankshaft Group



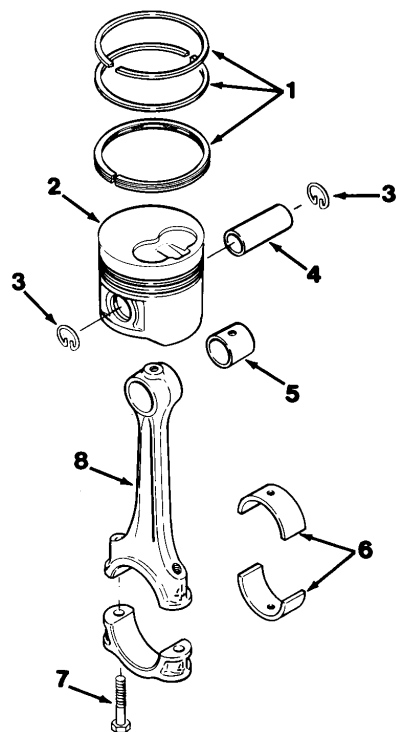
09767 – 550, 1550, D

Ref.	Tennant Part No.	Teledyne Continental Part Number	Description	Qty.
1		XM32064	Screw	1
2		XM37014	Washer, Plain	1
3	38449	TM27C00501	① Pulley, Crankshaft	1
3	61736	TM27C00401	② Pulley, Crankshaft	1
4		TM27H00407	Gear, Crankshaft	1
5	42148	TMD27C00300	Crankshaft	1
6	12784	TM27T00102	Bearing Kit, Main, Standard	1
6	52753	TM27T00102025	Bearing Kit, Main, 0.25 mm Undersize	1
6		TM27T00102050	Bearing Kit, Main, 0.50 mm Undersize	1
6	61724	TM27T00102075	Bearing Kit, Main, 0.75 mm Undersize	1
6		TM27T00102100	Bearing Kit, Main, 1.00 mm Undersize	1
7	61762	X00666	Key	1
8	61775	TM27C00408	Slinger, Oil	1

① Teledyne Continental Engine Serial Number (000000–302297)

② Teledyne Continental Engine Serial Number (302298–)

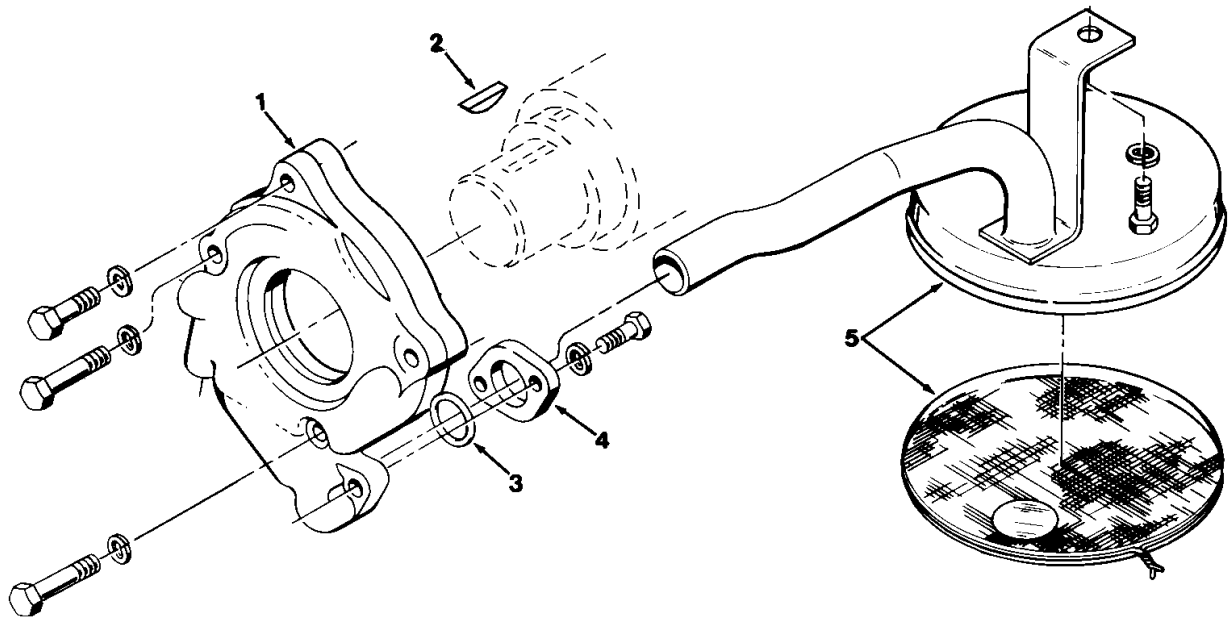
Fig. 6 – Piston Group



09768 – 550, 1550, D

Ref.	Tennant Part No.	Teledyne Continental Part Number	Description	Qty.	
1	38836	TMD20T00201	Ring Kit, Re-Ring, Standard	4	
1		TMD27T00201050	Ring Kit, Re-Ring, 0.50 mm Oversize	4	
1		TMD27T00201075	Ring Kit, Re-Ring, 0.75 mm Oversize	4	
1		TMD27T00201100	Ring Kit, Re-Ring, 1.00 mm Oversize	4	
2	38839	TMD27A05031E	Piston Assembly, Standard	4	
2	38842	TMD27A05031E050	Piston Assembly, 0.50 mm Oversize	4	
2		TMD27A05031E075	Piston Assembly, 0.75 mm Oversize	4	
∇	2	TMD27A05031E100	Piston Assembly, 1.00 mm Oversize	4	
▲	3	38572	K800A00203	Ring, Retaining, Piston Pin	2
▲	4		TMD27A00300	Pin, Piston	1
5	52724	TM27G00301	Bushing, Piston Pin	4	
6		TM27T00103	Bearing Kit, Connecting Rod, Standard	1	
6		TM27T00103025	Bearing Kit, Connecting Rod, 0.25 mm Undersize	1	
6		TM27T00103050	Bearing Kit, Connecting Rod, 0.50 mm Undersize	1	
6		TM27T00103075	Bearing Kit, Connecting Rod, 0.75 mm Undersize	1	
6		TM27T00103100	Bearing Kit, Connecting Rod, 1.00 mm Undersize	1	
7		Z145D00300	Bolt, Connecting Rod	8	
8	38917	TMD27D03001	Rod Assembly, Connecting	4	

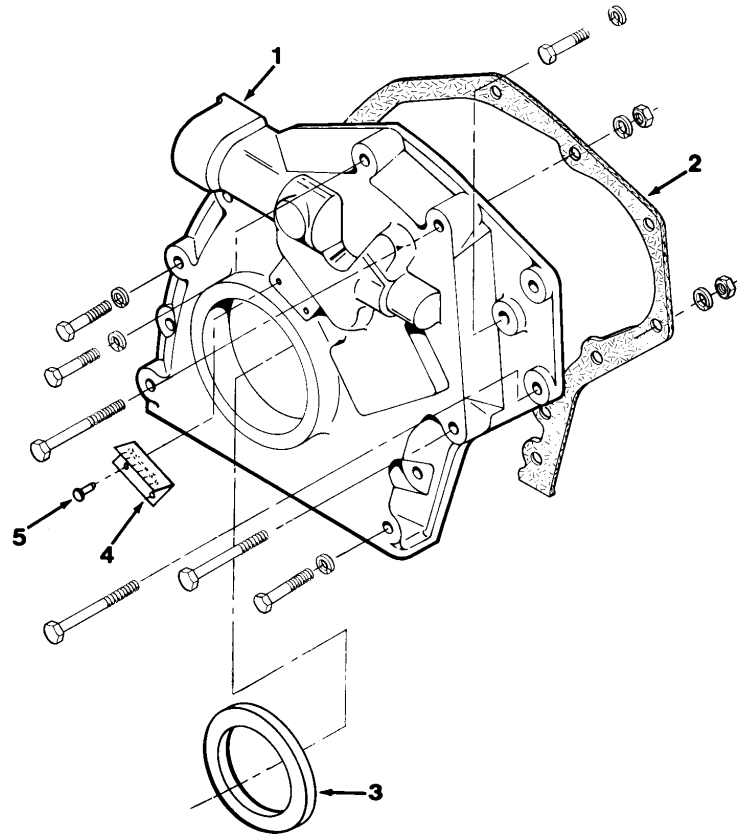
Fig. 7 – Oil Pump Group



01611 – 550, 1550, D

Ref.	Tennant Part No.	Teledyne Continental Part Number	Description	Qty.
1		TM27L06020	Pump, Oil (For Engine 34910)	1
1		TM27L06030	Pump, Oil (For Engine 16850)	1
2	61749	X00692	Key, Woodruff	1
3	52764	X01673	O-Ring	1
4		TM27L00200	Adapter, Inlet Tube	1
5		TM27L05100	Tube Assembly, Oil Pump Inlet	1

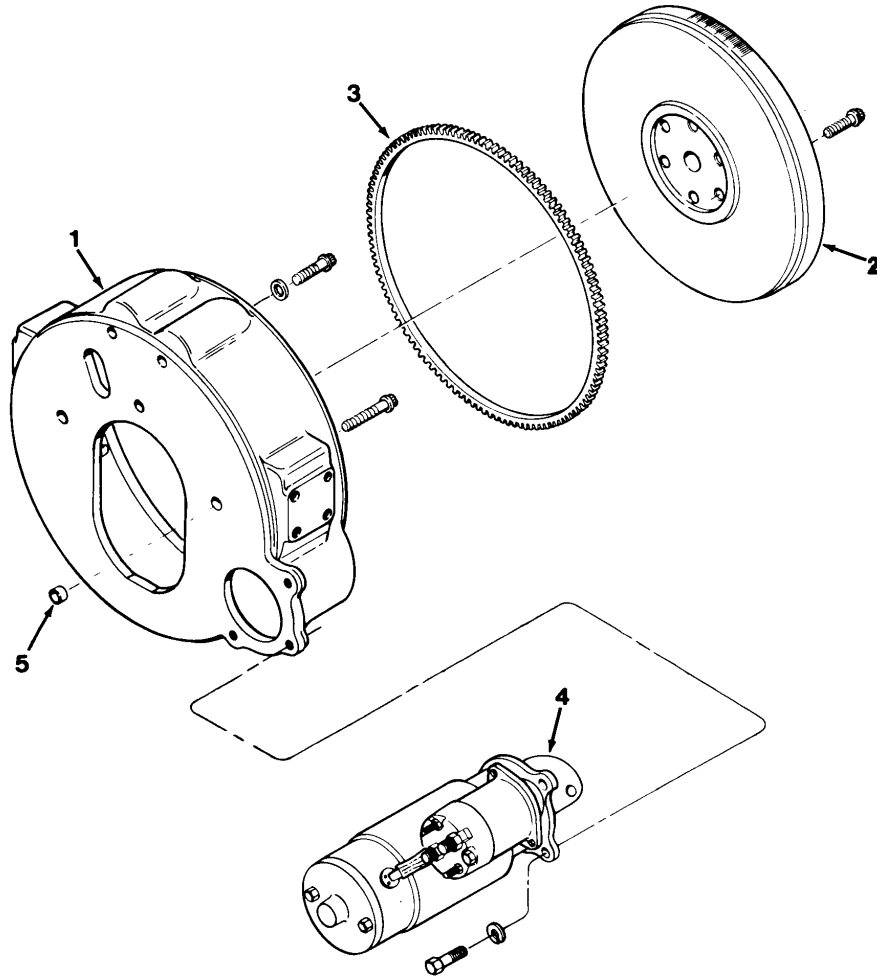
Fig. 8 – Gear Cover Group



09769 – 550, 1550, D

Ref.	Tennant Part No.	Teledyne Continental Part Number	Description	Qty.
1		TMD27B05003	Cover, Gear	1
2	38381	TMD27B00529	Gasket, Gear Cover	1
3		X07823	Seal, Oil, Crankshaft (For Engine 34910)	1
3	38416	X07845	Seal, Oil, Crankshaft (For Engine 16850)	1
4		TM27B00300	Pointer, Engine Timing	1
5		X13012	Rivet, Timing Pointer to Gear Cover	2
		TMD27U02001	Gasket Set, Front	1

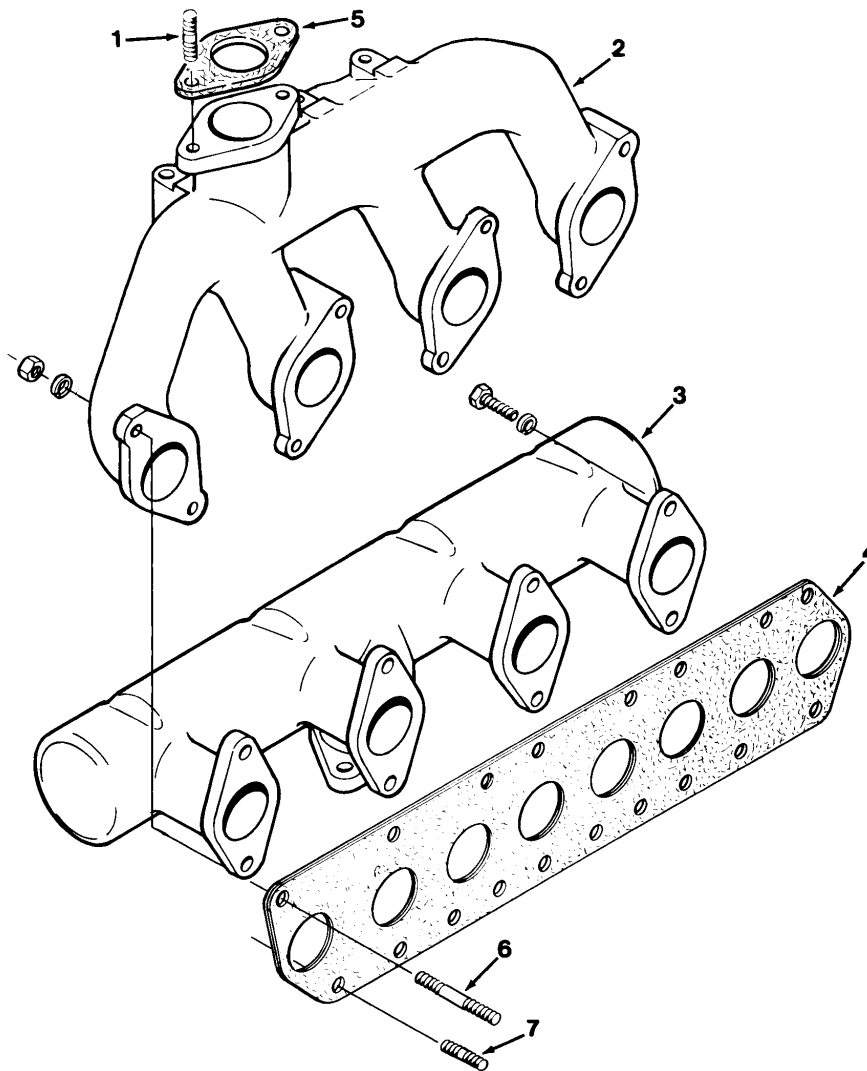
Fig. 9 – Flywheel and Starter Group



01625 – 550, 1550, D

Ref.	Tennant Part No.	Teledyne Continental Part Number	Description	Qty.	
1	16143	F140B00320	Housing, Flywheel	1	
▽	16174	F601C04350	Flywheel (For Engine 34910)	1	
▲	16147	F244C00317	Ring Gear (For Engine 34910)	1	
▽	2	16851	TM13C03100	Flywheel (For Engine 16850)	1
▲	3	16852	TM13C00502	Ring Gear (For Engine 16850)	1
4	34547	TMD27M00315	Starter (For Engine 34910)	1	
4	16855	TMD27M00504	Starter (For Engine 16850)	1	
5		X07005	Dowel, Ring	2	

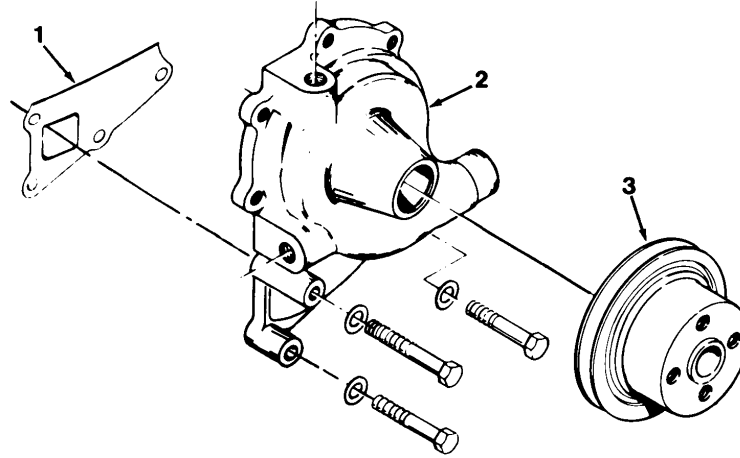
Fig. 10 – Intake and Exhaust Manifold Group



09770 – 550, 1550, D

Ref.	Tennant Part No.	Teledyne Continental Part Number	Description	Qty.	
1		XM32048	Stud	2	
2	38383	TMD27E00501	Manifold, Exhaust	1	
3		TMD27F00601	Manifold, Intake	1	
▽	34640		Gasket Set, Manifold	1	
▲	4	38843	TM27E00502	Gasket, Manifold	1
▲	5	34796	TM27E00300	Gasket, Manifold, Exhaust	1
6		XM32050	Stud	2	
7		XM32022	Stud	6	

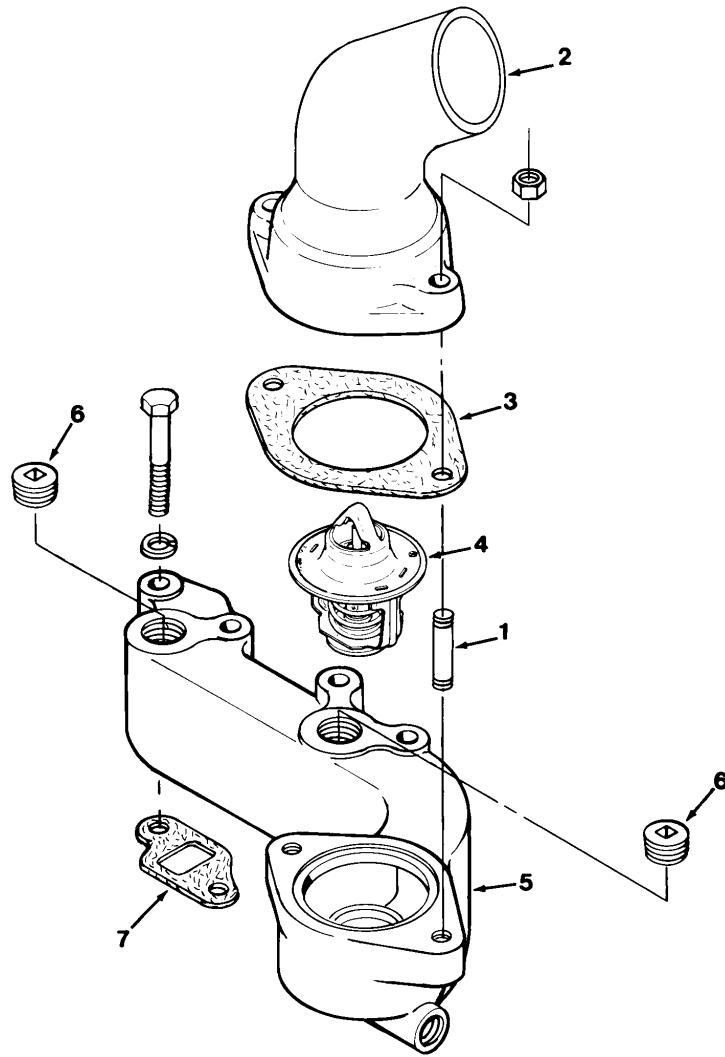
Fig. 11 – Water Pump Group



01615 – 550, 1550, D

	Ref.	Tennant Part No.	Teledyne Continental Part Number	Description	Qty.
▽		34830		Pump and Gasket, Water	1
▲	1	34873	TM27K00301	Gasket, Water Pump to Crankcase	1
▲▽	2	34429	TM27K06051	Pump, Water	1
▲▲		38788	TM27T01003	Repair Kit, Water Pump	1
▲▲	3	38918	TM27K00412	Pulley	1

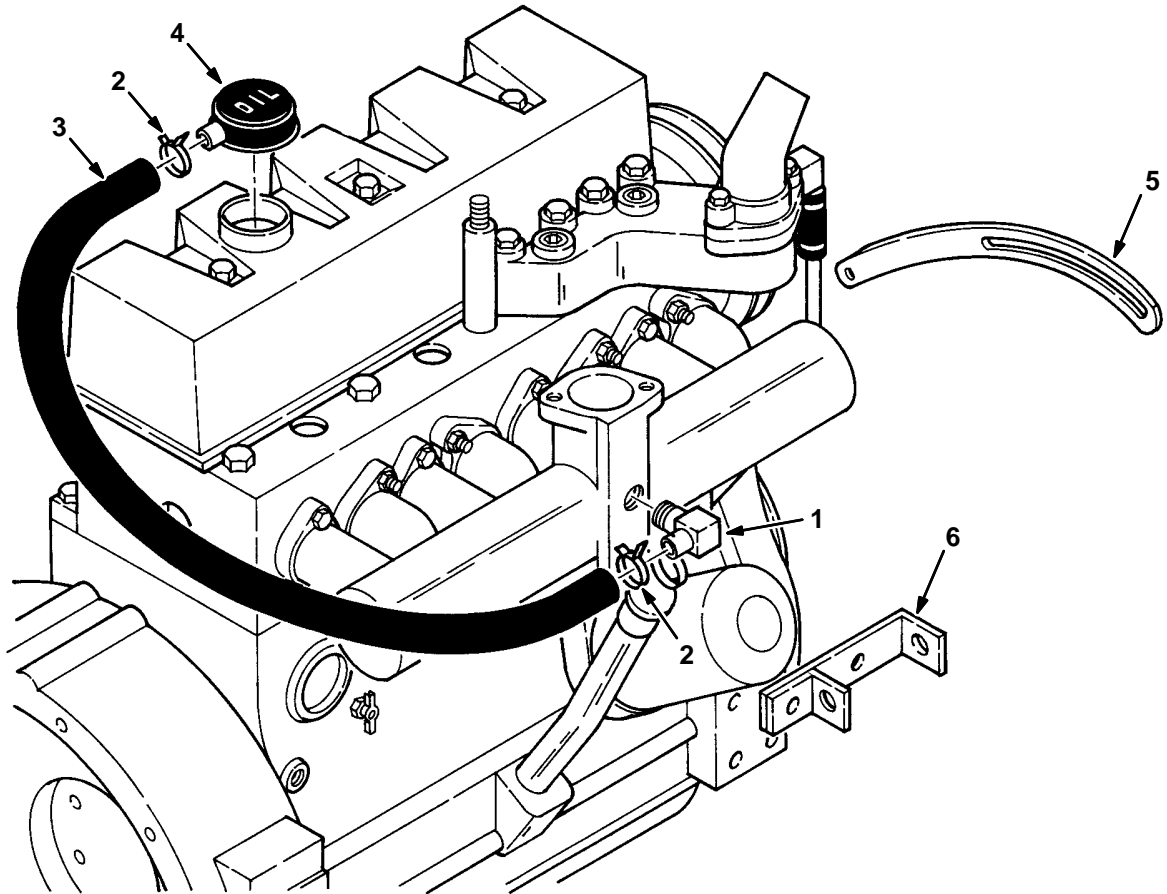
Fig. 12 – Water Header and Thermostat Group



09761 – 550, 1550, D

Ref.	Tennant Part No.	Teledyne Continental Part Number	Description	Qty.
1		XM32001	Stud	2
2	38401	TM27K00310	Elbow, Water Outlet	1
▽	34752		Thermostat and Gasket	1
▲	53988-12	X07854	Gasket, Elbow	1
▲	53988-13	F601K00303	Thermostat	1
5		TM27K00503	Header, Water Outlet	1
6		X00101B	Plug	2
7		TM27K00304	Gasket, Header	2

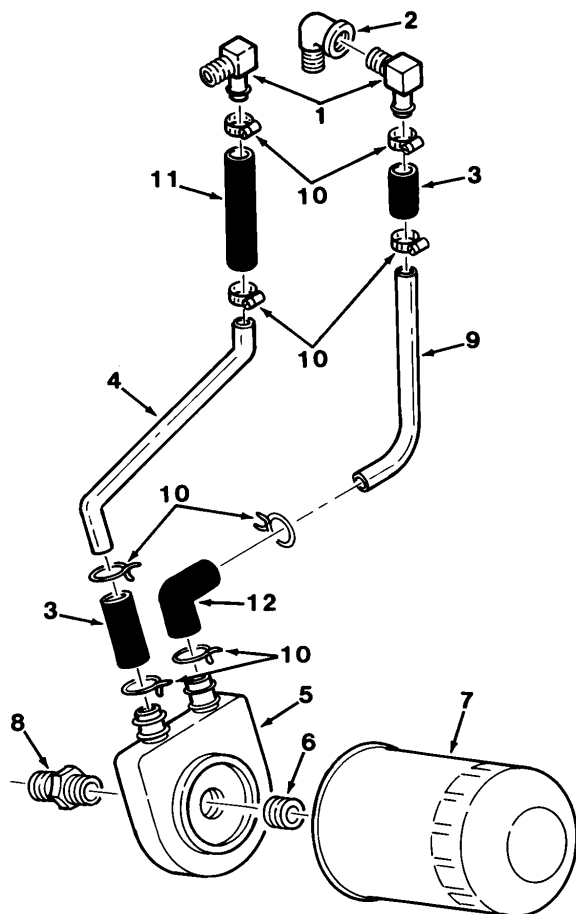
Fig. 13 – Alternator Brackets and PCV Group



09771 – 550, 1550, D

Ref.	Tennant Part No.	Teledyne Continental Part Number	Description	Qty.
1	38418	X26136	Elbow, Intake Manifold (Replaced by None)	1
2	52766	X02751	Clamp, Hose	2
3	61776	X08253180	Hose, Elbow to Filler Cap	1
4	38403	TM27L00412	Cap, Oil Filler	1
5	30036	TM27M00308	Strap, Alternator	1
6		TM27M00401	Bracket, Alternator	1

Fig. 14 – Oil Filter Group



09772 – 550, 1550, D

Ref.	Tennant Part No.	Teledyne Continental Part Number	Description	Qty.
1	47388	X26142	Elbow, Water Header	2
2		X12191	Elbow, Water Pump	1
3	38856	X08253020	Hose, Oil Cooler	2
4	38409	TM27L00516	Tube, Oil Cooler	1
5	38405	TM27L00420	Cooler, Oil	1
6	38402	TM27L00202	Adapter, Oil Filter	1
7	39703-2	F600L03750	Element, Oil Filter (For Engine 34910)	1
7	16853	TM27L00312	Element, Oil Filter (For Engine 16850)	1
8		TM27L00204	Connector, Oil Cooler	1
9	38406	TM27L00423	Tube, Oil Cooler	1
10	52766	X02751	Clamp, Hose	8
11	38857	X08253040	Hose, Oil Cooler	1
12	38919	TM27L00208	Hose, Oil Cooler	1

SECTION 15

CONTENTS	PAGE
Fig. 1 – Engine Block Group	15-2
Fig. 2 – Fuel System Group	15-4
Fig. 3 – Cylinder Head Group	15-6
Fig. 4 – Camshaft Group	15-8
Fig. 5 – Crankshaft Group	15-9
Fig. 6 – Piston Group	15-10
Fig. 7 – Oil Pump Group	15-11
Fig. 8 – Gear Cover Group	15-12
Fig. 9 – Flywheel and Starter Group	15-13
Fig. 10 – Intake and Exhaust Manifold Group	15-14
Fig. 11 – Water Pump Group	15-15
Fig. 12 – Water Header and Thermostat Group	15-16
Fig. 13 – Alternator Brackets and PCV Group	15-17
Fig. 14 – Oil Filter Group	15-18

Fig. 1 – Engine Block Group

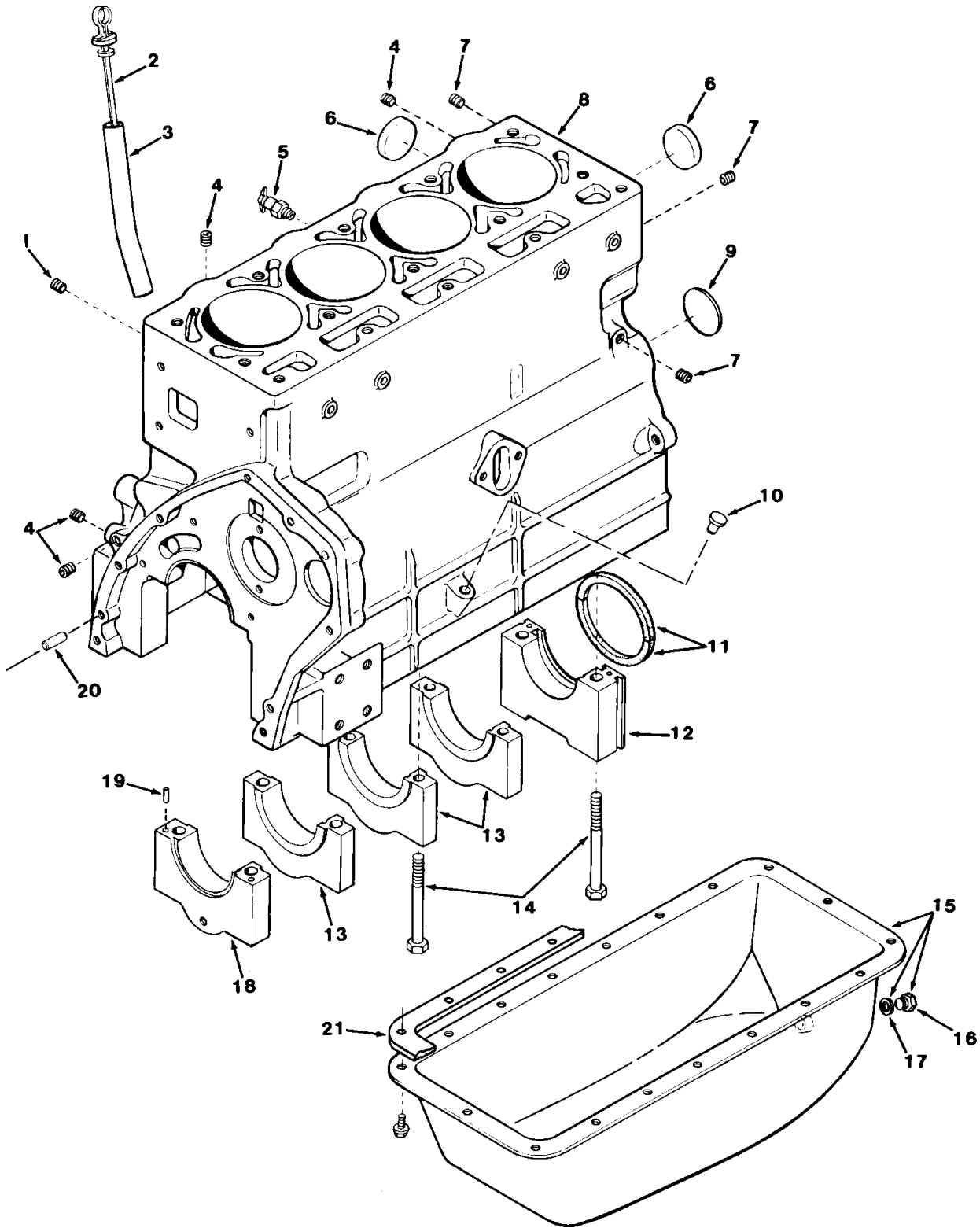


Fig. 1 – Engine Block Group

Ref.	Tennant Part No.	Teledyne Continental Part Number	Description	Qty.	
1		26X00110	Plug	1	
2	38404	TM27L00427	Rod, Oil Gauge	1	
3	52736	TM27L00406	Tube, Oil Filler	1	
4		26X00137A	Plug	5	
5	51305	X01015	Cock, Water Drain	1	
6	78517	X13304	Plug, Cup	5	
7		26X26129	Plug	2	
8	78518	TMD27A610601R	Short Block Assembly, R, Includes: Block, Tappets, Camshaft, Crankshaft, Main Bearings, Bearing Caps, Pistons, Piston Pins, Piston Rings, Connecting Rods, Rod Bearings, Thrust Plate, Cam Gear, Gear, Oil Pump, Oil Gauge Support, and Gasket Set	1	
8	78519	TMD27A610807S	Short Block Assembly, S, Includes: R ShortBlock Assembly Plus – Head, Guides, Valves and Associated Parts, Rocker Arm Shaft Assembly, Pushrods, Head Cover, Gear Cover, Oil Pan, Oil Filler Cap, and Gasket Set	1	
9	38413	X02208	Plug, Expansion	1	
10		X07663	Plug	1	
11	38408	TM27L00513	Seal, Oil	2	
12		TMD27B00500	Cap And Filler Block, Rear Bearing	1	
		X07846	Gasket, Rear Bearing Cup	1	
13		TMD27B00403	Cap, Crankshaft Bearing	3	
14		XM32018	Screw	10	
▽	15	61711	TM27B05100	Pan Assembly, Oil	1
▲	16	38082	F400B00282	Plug, Drain	1
▲	17		X14583	Washer, Drain Plug	1
18		TMD27B00402	Cap, Crankshaft Bearing, Front	1	
19		TM27B00322	Dowel, Bearing Cap, Front and Rear	4	
20		X17025	Pin, Dowel, Gear Cover to Crankcase	2	
21	38758	TM27T00107	Gasket, Oil Pan, Form-In-Place	1	

Fig. 2 – Fuel System Group

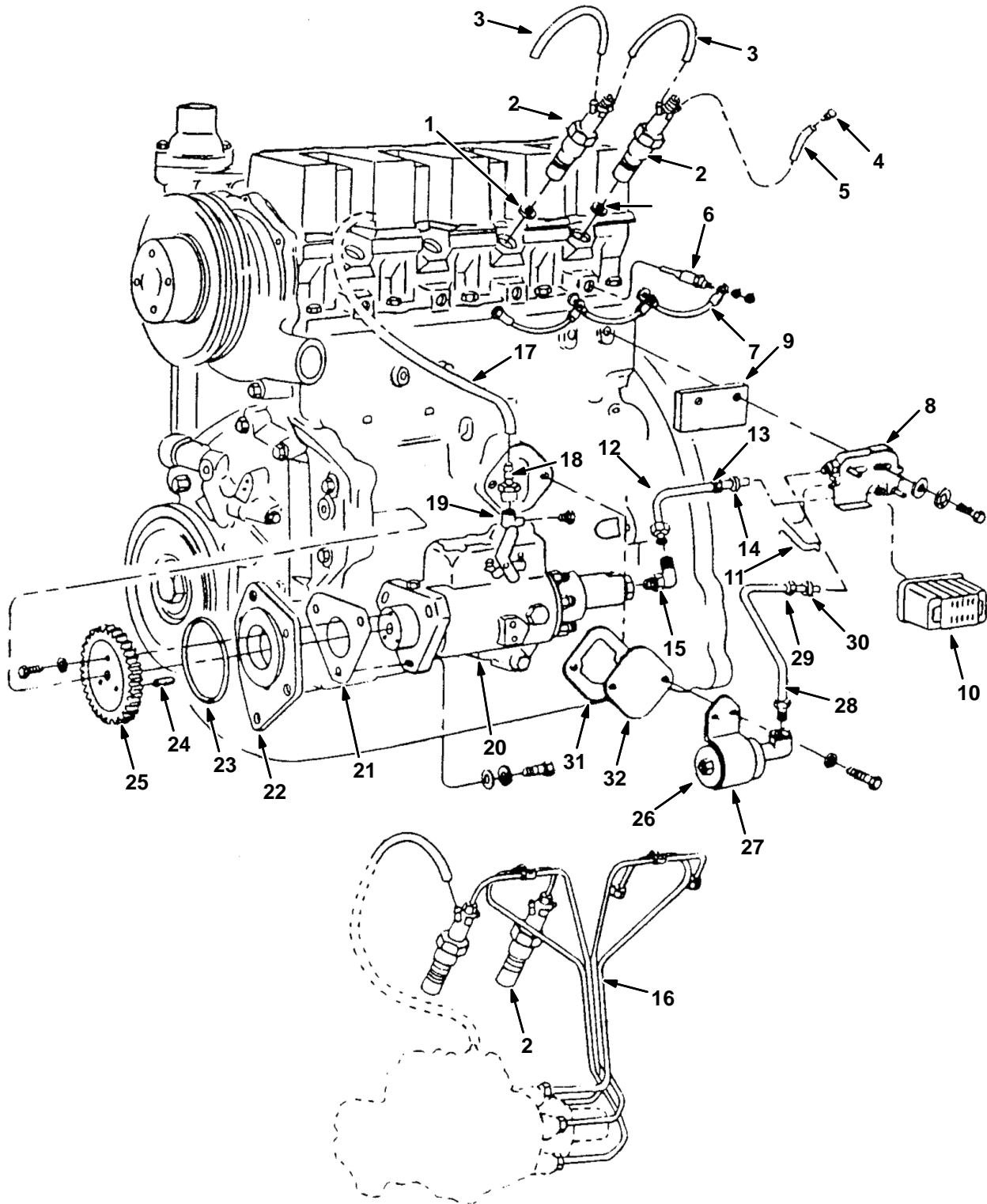


Fig. 2 – Fuel System Group

	Ref.	Tennant Part No.	Teledyne Continental Part Number	Description	Qty.
	1	38393	TMD27F00301	Shield, Heat	4
▽	2	78520	TMD20T00203	Nozzle and Tip Assembly	4
▲		78521	TMD20T00204	Tip, Nozzle	4
	3	52899	XM38003052	Hose, Fuel	3
	4	61777	X26138	Plug, Hose	1
	5	42149	XM38003020	Hose, Fuel	4
	6	65966	TMD27F00268	Plug, Glow	4
	7	61733	LW00203042	Wire, Glow Plug	3
	8	78522	TMD20F00300	Base, Fuel Filter	1
	9	78523	TMD20F00401	Adapter, Fuel Filter	1
	10	78524	TMD20F00400	Element, Fuel Filter	1
	11		TMD20F00301	Clamp, Fuel Filter	2
▽	12	78525	TMD20F03100	Tube Assembly	1
▲	13		X12644	Nut, Tube Assembly	1
▲	14		X12645	Sleeve, Tube Assembly	1
	15		X26162	Elbow, Fuel Injection Pump	1
	16	78526	TMD27F05140	Tube Set, Fuel Injection	1
	17	78527	XM38003110	Hose, Fuel	1
	18		X26175	Adapter	1
	19	38417	X12671	Tee	1
	20	65965	TMD27F00265	Pump, Fuel Injection	1
	21	38379	TMD27B00300	Gasket, Injection Pump	1
	22	61748	TMD27B00404	Adapter, Injection Pump	1
	23	38415	X07837	O-Ring, Injection Pump	1
	24		TMD27F00200	Pin, Injection Pump	1
	25		TMD27H00403	Gear, Injection Pump	1
	26	16706	TMD20F00506	Pump, Fuel	1
	27	78528	TMD20F00304	Clamp, Fuel Pump	1
▽	28	78529	TMD27F04110	Tube Assembly	1
▲	29		X12644	Nut, Tube Assembly	1
▲	30		X12645	Sleeve, Tube Assembly	1
	31	47680	X07861	Gasket, Fuel Pump	1
	32	16707	F600B00234	Cover, Fuel Pump	1

Fig. 3 – Cylinder Head Group

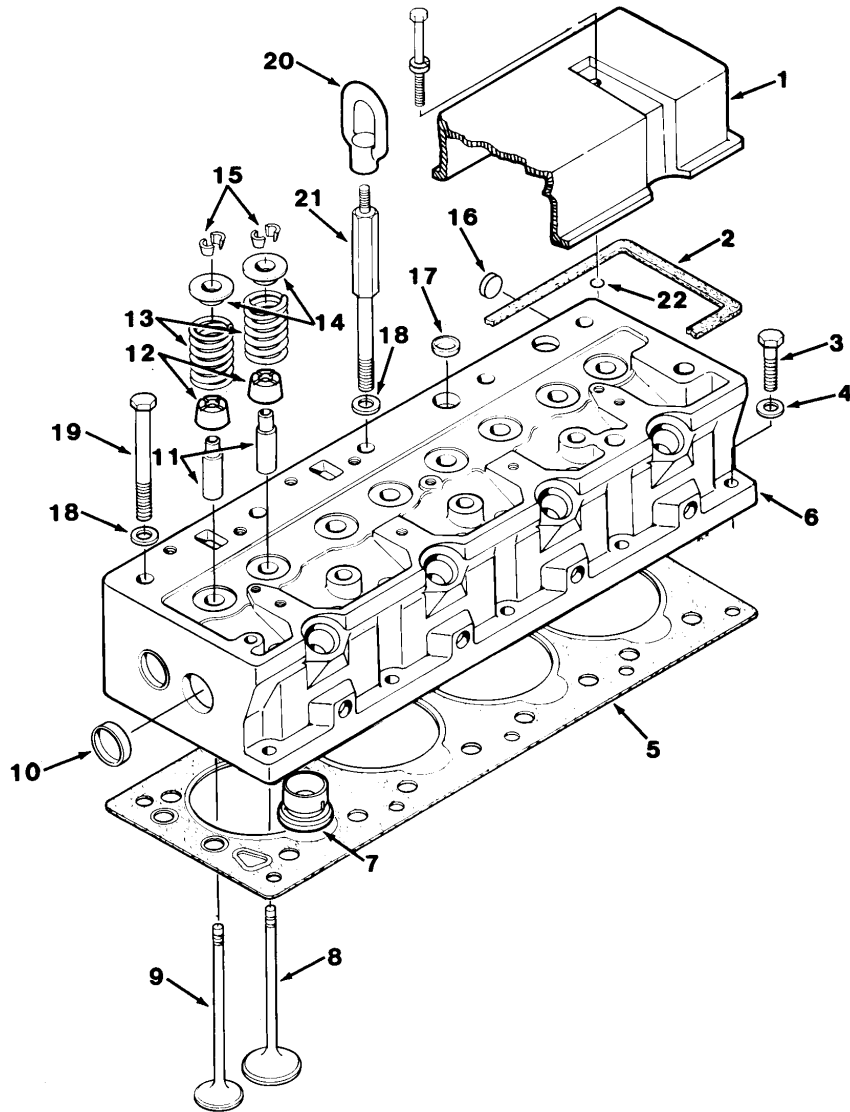
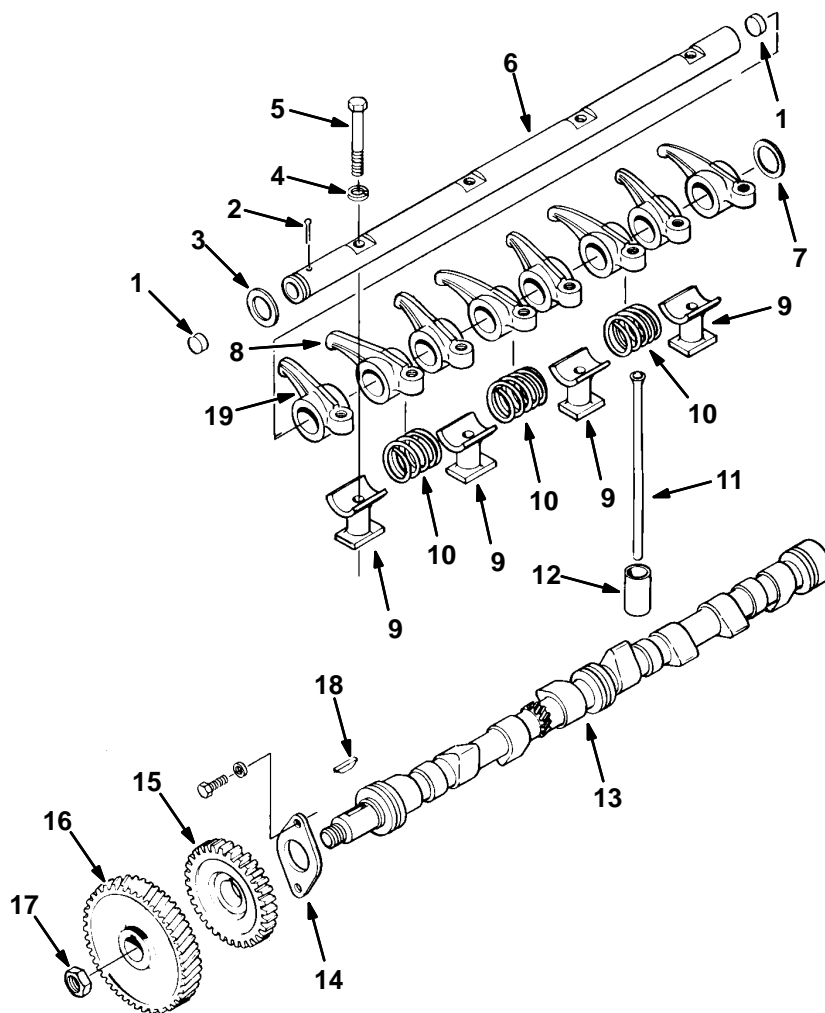


Fig. 3 – Cylinder Head Group

Ref.	Tennant Part No.	Teledyne Continental Part Number	Description	Qty.
1		TM27A0610	Cover, Cylinder Head	1
2	34876	TM27A00502	Gasket, Cover	1
3		XM32021	Screw	5
4	37942	15XX14141	Washer	5
5	38665	TMD27A00613	Gasket, Cylinder Head	1
▽ 6	52757	TMD27A06031	Head, Cylinder	1
▲ 7	52756	TMD27A00500	Insert, Combustion Chamber	4
▲ 8	42006	TMD27I00502	Valve, Intake	4
▲ 9	42009	TMD27I00501	Valve, Exhaust	4
▲ 10	61741	X02583	Plug, Cup	4
▲ 11	16153	TM27I00316	Guide, Valve Stem	8
▲ 12	52760	TMD27I00401	Guard, Valve Stem Oil	8
▲ 13	42116	TM27I00309	Spring, Valve	8
▲ 14		TM27I00300	Retainer, Valve Spring	8
▲ 15		CVT03234	Lock, Valve Spring Retainer	16
▲ 16	10100	X07606	Plug, Cup	4
▲ 17		X07689	Plug, Core	2
18	52898	XM37003	Washer, Flat	9
19	61793	XM32134	Screw	10
20		XM38004	Eye, Lifting	1
21		XM32094	Screw	1
22	61725	XM39000	O-Ring	3
		TMD27U01006	Gasket Set, Top	1

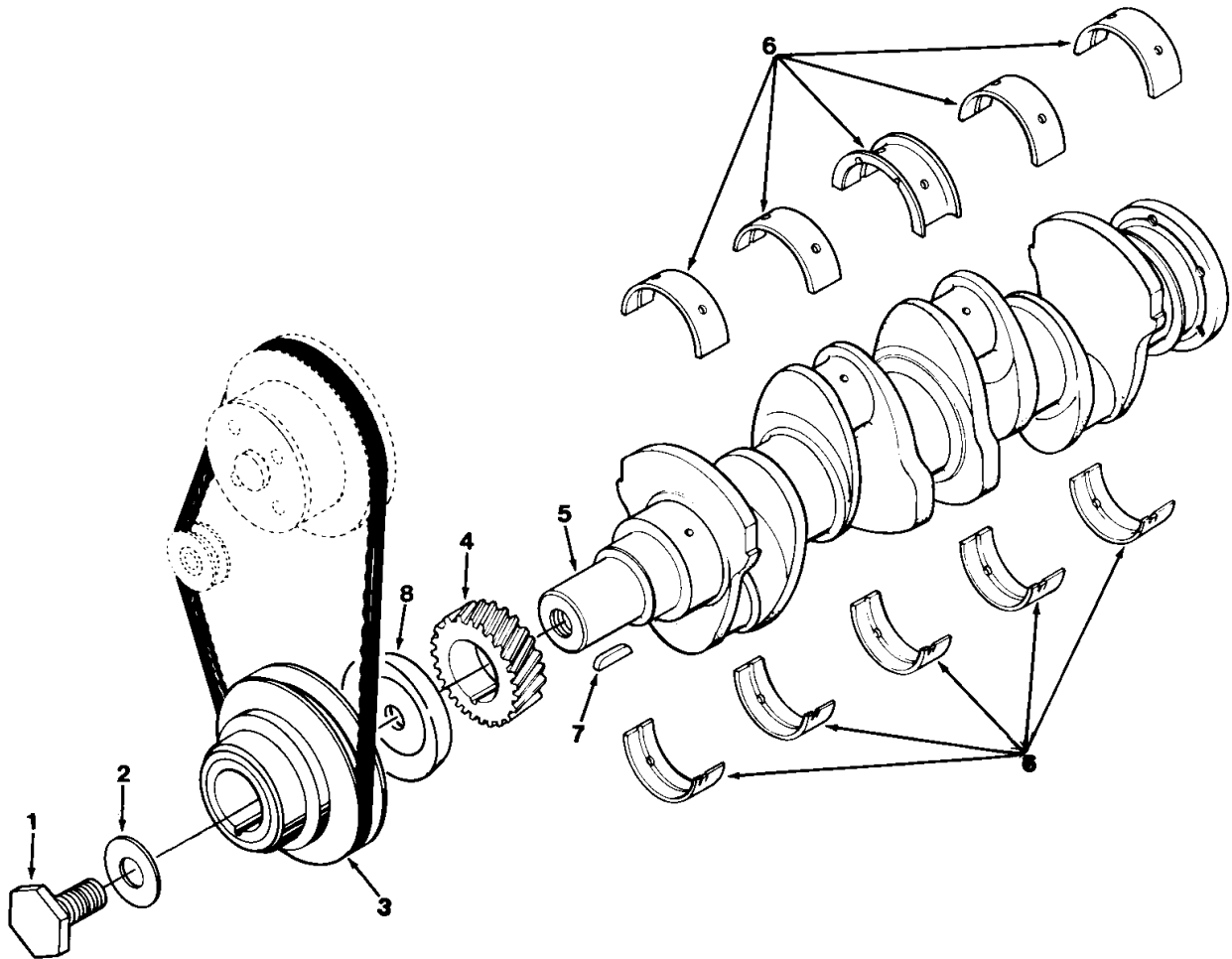
Fig. 4 – Camshaft Group



09408 – 550, 1550, D

Ref.	Tennant Part No.	Teledyne Continental Part Number	Description	Qty.
1		X07815	Plug, Shaft Ends	2
2		X00623	Pin, Cotter	2
3		X14589	Washer, Rocker Arm Shaft	2
4		XM37005	Washer, Flat	4
5		XM32031	Screw	4
6		TM27I05162	Shaft, Rocker Arm	1
7		X14589	Washer, Plain	1
8	52734	TM27I05150	Arm Assembly, Rocker, Intake	4
9		TM27I00314	Support, Rocker Arm Shaft	4
10		TM27I00303	Spring, Rocker Arm Shaft	3
11		TM27I00403	Rod, Push	8
12	52725	TM27I00305	Tappet, Valve	8
13	42330	TMD27I00402	Camshaft	1
14	38753	F400I00246	Plate, Camshaft Thrust	1
15	42328	TMD27H00402	Gear, Injection Pump Driver	1
16		TMD27H00506	Gear, Camshaft	1
17	52859	X18498	Nut	1
18	42337	X00599D	Key	1
19	52730	TM27I05140	Arm Assembly, Rocker, Exhaust	4

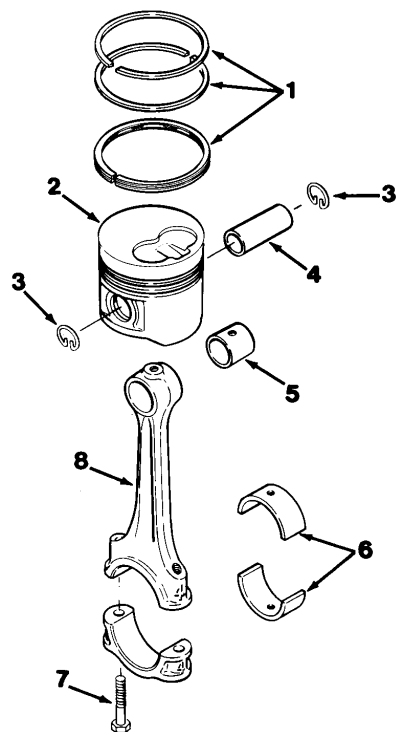
Fig. 5 – Crankshaft Group



09767 – 550, 1550, D

Ref.	Tennant Part No.	Teledyne Continental Part Number	Description	Qty.
1		XM32064	Screw	1
2		XM37014	Washer, Plain	1
3	61736	TM27C00401	Pulley, Crankshaft	1
4		TM27H00409	Gear, Crankshaft	1
5	42148	TMD27C00300	Crankshaft	1
6	12784	TM27T00102	Bearing Kit, Main, Standard	1
6	52753	TM27T00102025	Bearing Kit, Main, 0.25 mm Undersize	1
6		TM27T00102050	Bearing Kit, Main, 0.50 mm Undersize	1
6	61724	TM27T00102075	Bearing Kit, Main, 0.75 mm Undersize	1
6		TM27T00102100	Bearing Kit, Main, 1.00 mm Undersize	1
7	61762	X00666	Key	1
8	61775	TM27C00408	Slinger, Oil	1

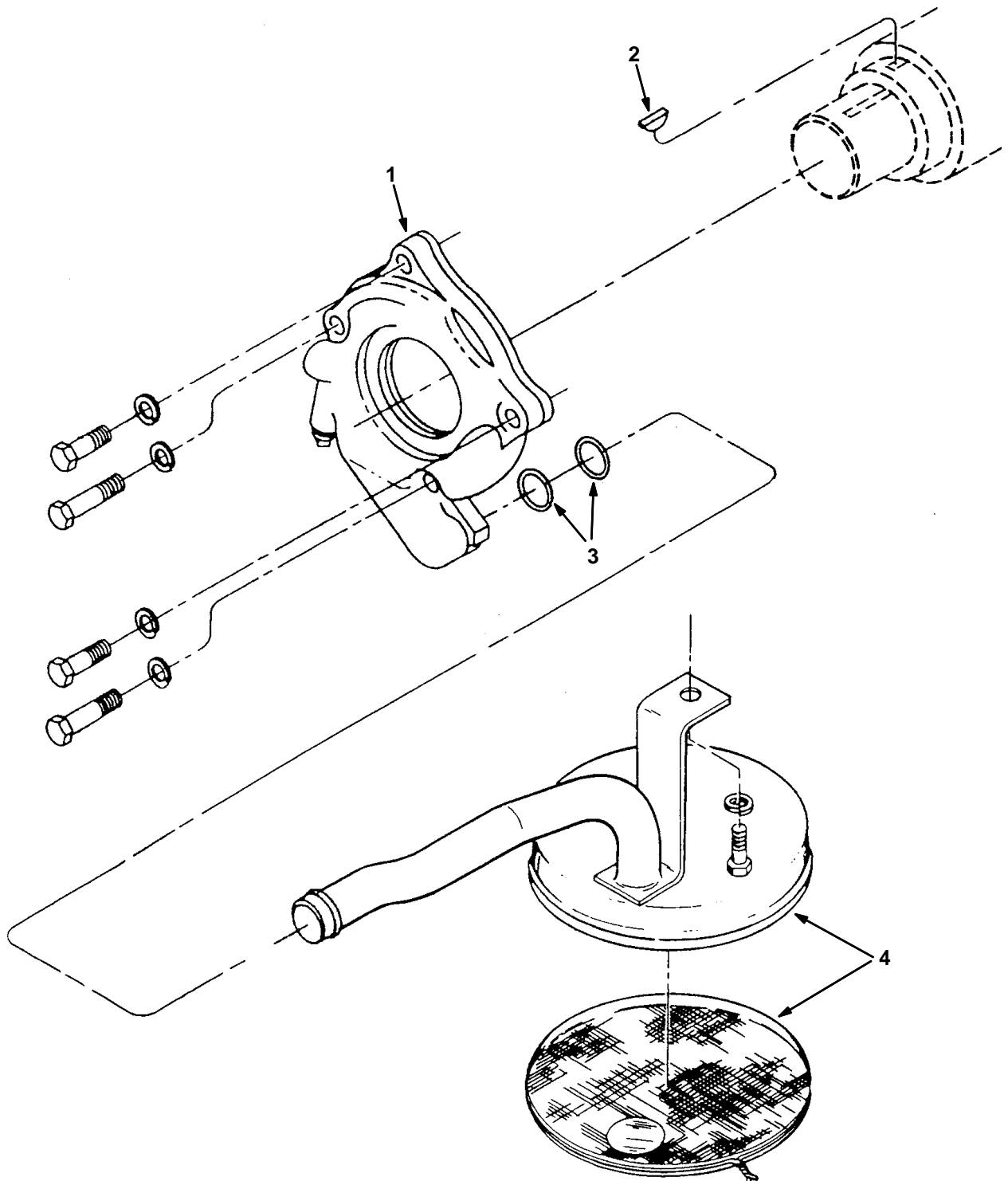
Fig. 6 – Piston Group



09768 – 550, 1550, D

Ref.	Tennant Part No.	Teledyne Continental Part Number	Description	Qty.
1	38836	TMD20T00201	Ring Kit, Re-Ring, Standard	4
1		TMD27T00201050	Ring Kit, Re-Ring, 0.50 mm Oversize	4
1		TMD27T00201075	Ring Kit, Re-Ring, 0.75 mm Oversize	4
1		TMD27T00201100	Ring Kit, Re-Ring, 1.00 mm Oversize	4
2	38839	TMD27A05031E	Piston Assembly, Standard	4
2	38842	TMD27A05031E050	Piston Assembly, 0.50 mm Oversize	4
2		TMD27A05031E075	Piston Assembly, 0.75 mm Oversize	4
∇	2	TMD27A05031E100	Piston Assembly, 1.00 mm Oversize	4
▲	3	K800A00203	Ring, Retaining, Piston Pin	2
▲	4	TMD27A00300	Pin, Piston	1
5	52724	TM27G00301	Bushing, Piston Pin	4
6	38916	TM20T00102	Bearing Kit, Connecting Rod, Standard	1
6		TM20T00102025	Bearing Kit, Connecting Rod, 0.25 mm Undersize	1
6		TM20T00102050	Bearing Kit, Connecting Rod, 0.50 mm Undersize	1
6		TM20T00102075	Bearing Kit, Connecting Rod, 0.75 mm Undersize	1
6		TM20T00102100	Bearing Kit, Connecting Rod, 1.00 mm Undersize	1
7		Z145D00300	Bolt, Connecting Rod	8
8	38917	TMD27D03001	Rod Assembly, Connecting	4

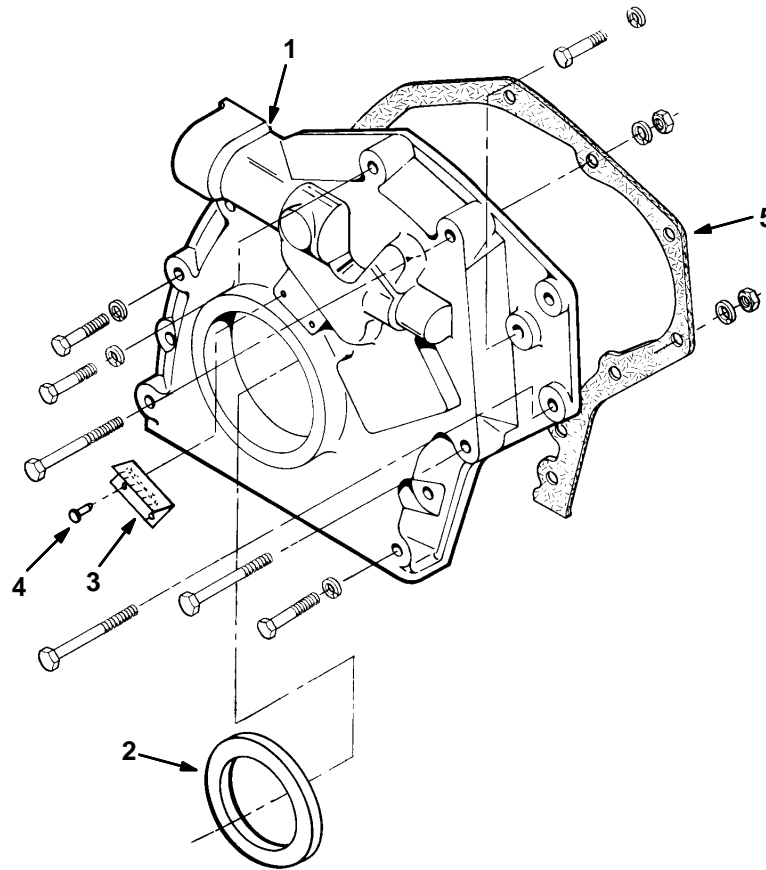
Fig. 7 – Oil Pump Group



09756 – 550, 1550, D

Ref.	Tennant Part No.	Teledyne Continental Part Number	Description	Qty.
1	38920	TM27L06050	Pump, Oil	1
2	61749	X00692	Key, Woodruff	1
3	52764	X01673	O-Ring	1
4		TM27L05180	Tube Assembly, Oil Pump Inlet	1

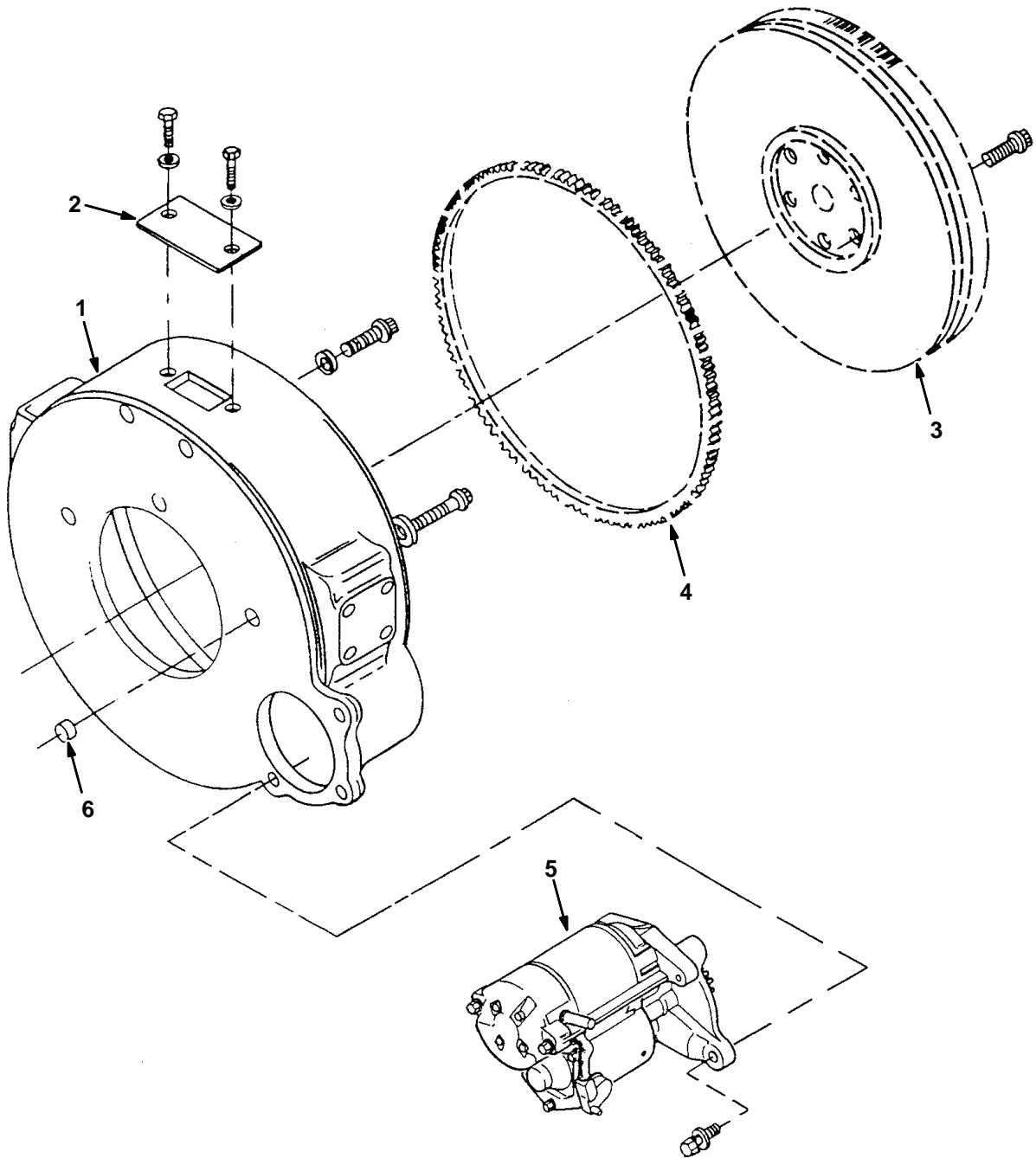
Fig. 8 – Gear Cover Group



09769 – 550, 1550, D

Ref.	Tennant Part No.	Teledyne Continental Part Number	Description	Qty.
▽ 1		TMD27B05141	Cover Assembly, Gear	1
▲ 2	38416	X07845	Seal, Oil, Crankshaft	1
▲ 3		TM27B00300	Pointer, Engine Timing	1
▲ 4		X13012	Rivet, Timing Pointer to Gear Cover	2
5	38381	TMD27B00529	Gasket, Gear Cover	1
	38844	TMD27U02002	Gasket Set, Front	1

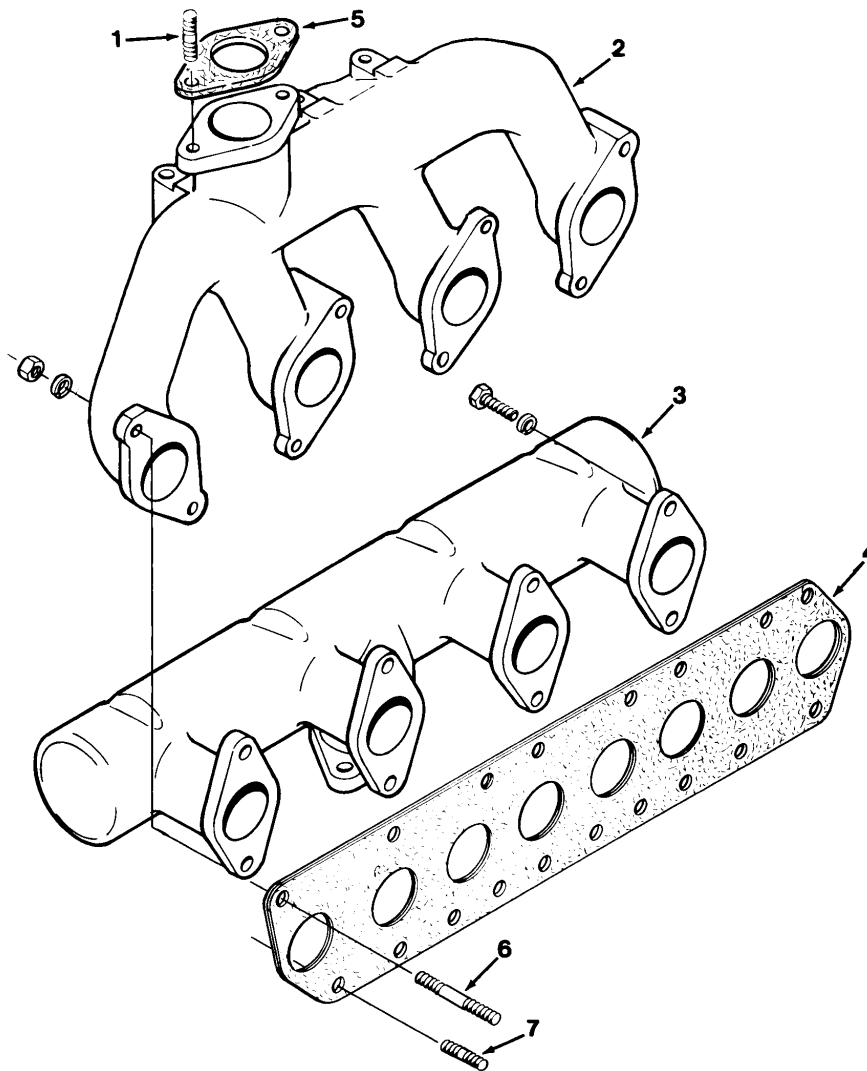
Fig. 9 – Flywheel and Starter Group



09758 – 550, 1550, D

Ref.	Tennant Part No.	Teledyne Continental Part Number	Description	Qty.
▽ 1	78531	TM27B00607	Housing, Flywheel	1
▲ 2		TM27B00304	Cover, Timing Hole	1
▽ 3	16851	TM13C03100	Flywheel	1
▲ 4	16852	TM13C00502	Ring Gear	1
5	16855	TMD27M00504	Starter	1
6		X07005	Dowel, Ring	2

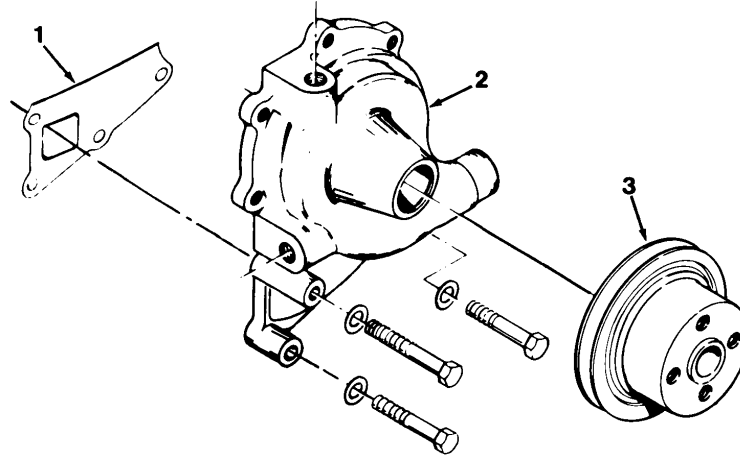
Fig. 10 – Intake and Exhaust Manifold Group



09770 – 550, 1550, D

Ref.	Tennant Part No.	Teledyne Continental Part Number	Description	Qty.	
1		XM32048	Stud	2	
2	38383	TMD27E00501	Manifold, Exhaust	1	
3		TMD27F00601	Manifold, Intake	1	
▽	34640		Gasket Set, Manifold	1	
▲	4	38843	TM27E00502	Gasket, Manifold	1
▲	5	34796	TM27E00300	Gasket, Manifold, Exhaust	1
6		XM32050	Stud	2	
7		XM32022	Stud	6	

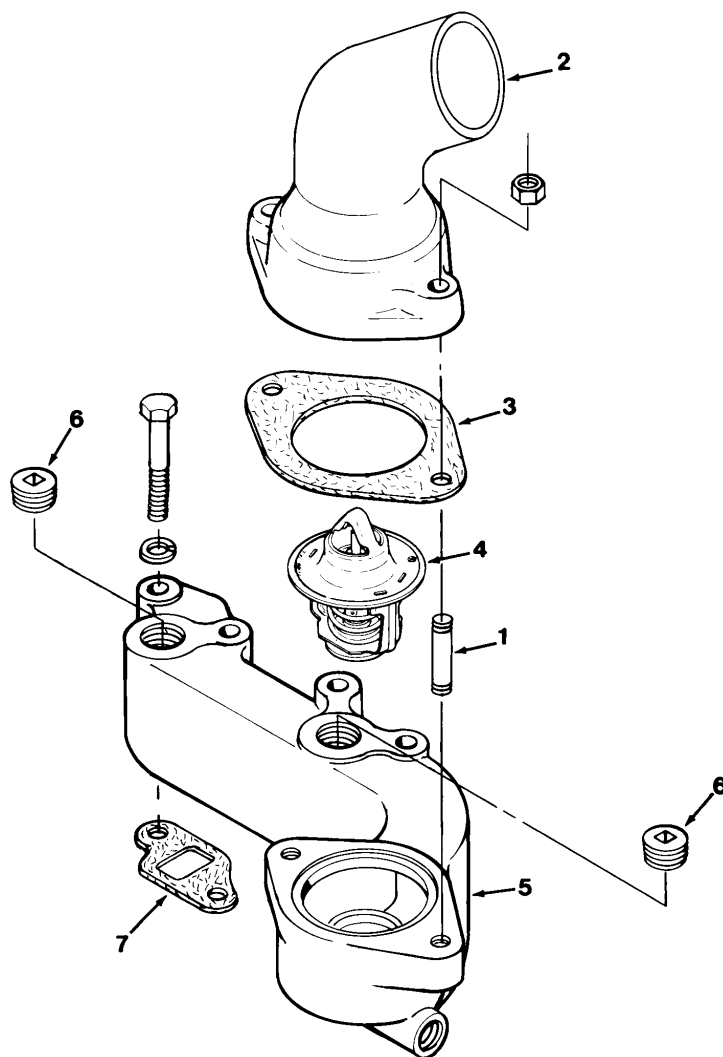
Fig. 11 – Water Pump Group



01615 – 550, 1550, D

	Ref.	Tennant Part No.	Teledyne Continental Part Number	Description	Qty.
▽		34830		Pump and Gasket, Water	1
▲	1	34873	TM27K00301	Gasket, Water Pump to Crankcase	1
▲▽	2	34429	TM27K06051	Pump, Water	1
▲▲		38788	TM27T01003	Repair Kit, Water Pump	1
▲▲	3	38918	TM27K00412	Pulley	1

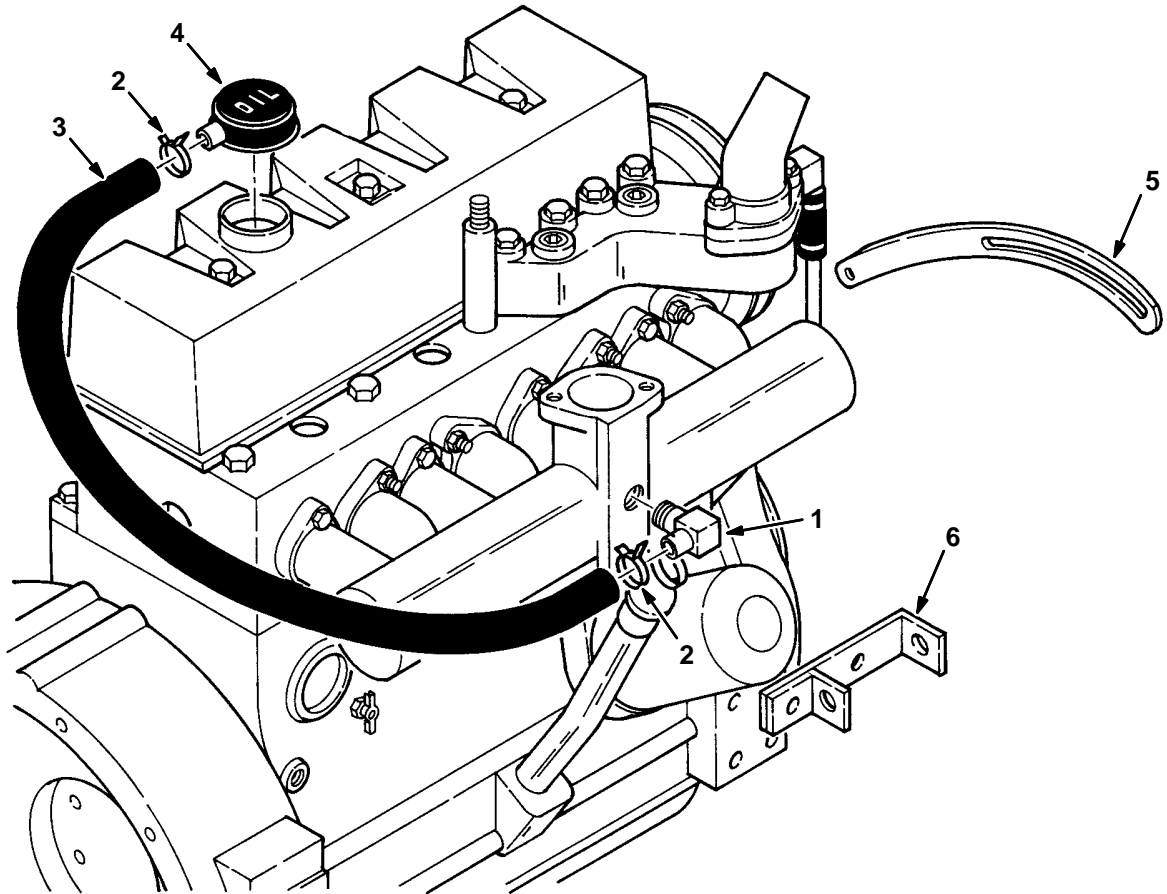
Fig. 12 – Water Header and Thermostat Group



09761 – 550, 1550, D

Ref.	Tennant Part No.	Teledyne Continental Part Number	Description	Qty.
1		XM32001	Stud	2
2	38401	TM27K00310	Elbow, Water Outlet	1
▽	34752		Thermostat and Gasket	1
▲	53988-12	X07854	Gasket, Elbow	1
▲	53988-13	F601K00303	Thermostat	1
5		TM27K00503	Header, Water Outlet	1
6		26XX00101B	Plug	2
7	30035	TM27K00202	Gasket, Header	2

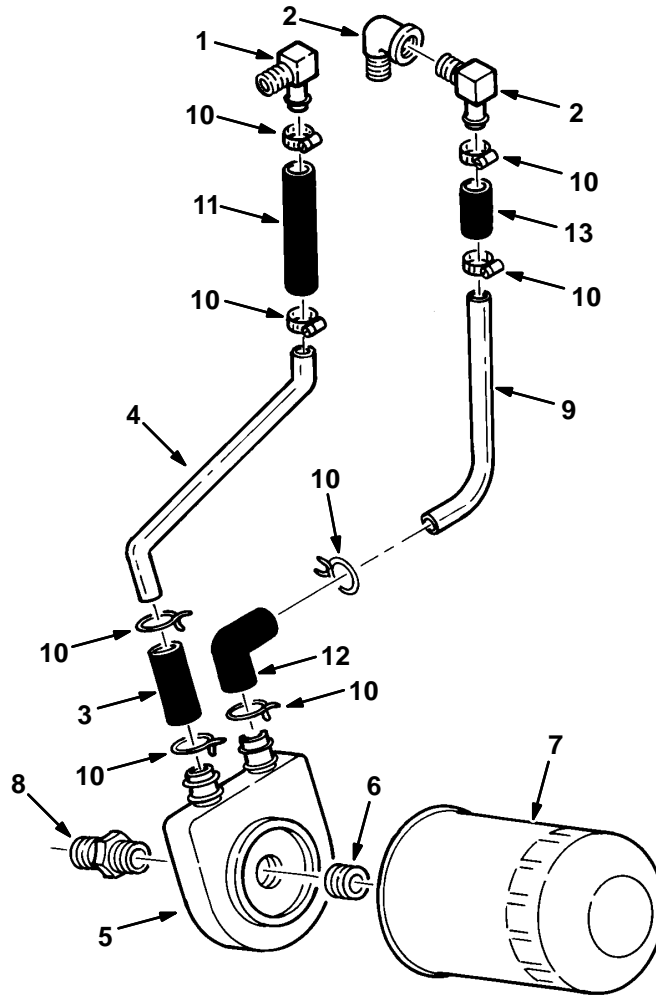
Fig. 13 – Alternator Brackets and PCV Group



09771 – 550, 1550, D

Ref.	Tennant Part No.	Teledyne Continental Part Number	Description	Qty.
1	38418	X26136	Elbow, Intake Manifold (Replaced by None)	1
2	52766	X02751	Clamp, Hose	2
3	61776	X08253180	Hose, Elbow to Filler Cap	1
4	38403	TM27L00412	Cap, Oil Filler	1
5	30036	TM27M00308	Strap, Alternator	1
6	52738	TM27M00411	Bracket, Alternator	1

Fig. 14 – Oil Filter Group



09772 – 550, 1550, D

Ref.	Tennant Part No.	Teledyne Continental Part Number	Description	Qty.
1	47388	X26142	Elbow, Water Header	2
2		X12191	Elbow, Water Pump	1
3	38856	X08253020	Hose, Oil Cooler	1
4	38409	TM27L00516	Tube, Oil Cooler	1
5	38405	TM27L00420	Cooler, Oil	1
6	38402	TM27L00202	Adapter, Oil Filter	1
7	78532	F600L00312	Element, Oil Filter	1
8		TM27L00204	Connector, Oil Cooler	1
9	38406	TM27L00423	Tube, Oil Cooler	1
10	52766	X02751	Clamp, Hose	8
11	38857	X08253040	Hose, Oil Cooler	1
12	38919	TM27L00208	Hose, Oil Cooler	1
13		X082531020	Hose, Oil Cooler	1

SECTION 16

CONTENTS

PAGE

PART NUMBER TO PAGE NUMBER CROSS REFERENCE LIST 16-2
PART DESCRIPTION TO PAGE NUMBER CROSS REFERENCE LIST 16-22

CROSS REFERENCE

PART NUMBER TO PAGE NUMBER CROSS REFERENCE LIST

Part Number	Page Number	Part Number	Page Number
C400K00215	12-3, 12-10, 12-11, 13-15	F401B-4321	12-3
CA10F00319	12-11	F401B00301	12-7
CVT03234	12-4, 13-5, 14-7, 15-7	F401B00308	12-5
D600H00300	12-7	F401B00333	12-5
D600S00207	13-11	F401B00342	12-5
F124A00201	12-3	F401C00416	12-7
F124H00302	12-4	F401F00274	13-16
F124K00334	12-10	F401F0500	12-9
F140A00216010	12-4	F401F0500	12-9
F140B00320	13-12, 14-13	F401H00303	12-9
F140B0320	12-3	F401K00324	12-9
F162B00412	12-5	F401L00203	12-3
F163A00205	12-7	F401L00304	12-3
F163A04081E	12-7	F401L00402	12-3
F163A04081E020	12-7	F401M00201	12-12
F163A04081E030	12-7	F401M00219	12-10, 13-19
F163A04081E040	12-7	F401M00221	13-19
F163A04081E060	12-7	F401M00332	12-12
F163T00103	12-7	F401M00338	12-12
F163T00103002	12-7	F401M00343	13-19
F163T00103010	12-7	F401M00355	12-12
F163T00103020	12-7	F401M00405	12-10
F163T00103030	12-7	F401M00407	12-12
F163T00103040	12-7	F401S00227	12-9
F163T00119	12-7	F401S00230	12-9, 13-16
F163T00119020	12-7	F401S00407	12-9
F163T00119030	12-7	F600102520	12-4
F163T00119040	12-7	F600102520001	12-4
F163T00119060	12-7	F600102520003	12-4
F218K00202	12-3, 12-11	F600102520005	12-4
F218L00204	12-8	F600102520010	12-4
F226D04002	12-7	F600102520015	12-4
F227D06001	12-7	F600102520020	12-4
F244C00317	12-7, 14-13	F600A00214	12-7
F400A0366	12-3	F600A00214003	12-7
F400B00255	12-3	F600A00214005	12-7
F400B00282	13-3, 14-3, 15-3	F600B00234	12-9, 13-19, 14-5, 15-5
F400B00359	12-7	F600B00242	12-7, 13-3, 14-3
F400B00383	12-5	F600B00247	12-7
F400C02351	12-7	F600B00470	12-7
F400D00202	12-7	F600B0399	12-3
F400E00303	12-11	F600I00347	12-4
F400E00423	12-11	F600K00371	12-9
F400F00263	12-11	F600L00312	15-18
F400F00478	12-9	F600L004340	12-10
F400G00211	12-7	F600L00436	12-10
F400I00246	12-4, 13-7, 14-8, 15-8	F600L00447	12-10
F400I00251	12-4, 14-7	F600L03750	14-18
F400I00343	12-4	F600L04132	12-8
F400K04471	12-9	F601B-305	12-3
F400K04570	12-11	F601B00425	12-3
F400L00210	12-8	F601C04350	12-7, 14-13
F400L04300	12-3	F601F00304	13-19
F400M00279	12-10	F601I00200	12-4
F400M00293	12-10	F601I00301	12-4
F400T00181	12-4	F601I00303	12-4
F401A00424	12-3	F601K00303	12-3, 12-11, 13-15, 14-16, 15-16
F401A03760	12-3		
F401A06021	12-3	F6T01014	12-9

CROSS REFERENCE

Part Number	Page Number	Part Number	Page Number
F6T02002	12-8	TM27C00501	14-9
FW00307100	12-10	TM27E00300	13-13, 14-14, 15-14
FW00308120	12-10	TM27E00400	13-13
FW00312080	13-18	TM27E00502	14-14, 15-14
FW00312120	13-18	TM27E00601	13-13
FW00313080	13-18	TM27F00205	13-16
HD277M00407	12-12	TM27F00206	13-16
K2948	12-11	TM27F00221	14-5
K800A00203	13-9, 14-10, 15-10	TM27F00304	13-16
LW00203042	14-5, 15-5	TM27F00421	13-16
M330F00253	12-11, 13-16	TM27F00425	13-19
MM148	10-31	TM27F00507	13-13
SK1288	11-31	TM27F02000	13-16
SK1444	7-3	TM27F05130	13-19
SK1450	11-8	TM27F05140	13-18
SK2137	6-29	TM27F05180	13-16
SK2198	12-3	TM27F05190	13-19
SK2222	6-29	TM27F05200	13-19
SK2223	6-28	TM27G00301	13-9, 14-10, 15-10
SK2498	11-4, 11-5	TM27H00407	13-8, 14-9
SK2499	11-4	TM27H00409	15-9
SK2500	11-4	TM27H00500	13-7
SK2586	11-9	TM27I00202	13-7
SK2669	12-11	TM27I00300	13-5, 14-7, 15-7
SP200S00006RNY	13-18	TM27I00303	13-7, 14-8, 15-8
SP200S00009RNYC	13-18	TM27I00305	13-7, 14-8, 15-8
SP207S00016RD	12-10	TM27I00306	14-8
T427B00201	12-3	TM27I00308	13-5
TM13C00502	13-12, 14-13, 15-13	TM27I00309	13-5, 14-7, 15-7
TM13C03100	13-12, 14-13, 15-13	TM27I00311	13-5
TM20T00102	15-10	TM27I00313	13-7, 14-8
TM20T00102025	15-10	TM27I00314	13-7, 14-8, 15-8
TM20T00102050	15-10	TM27I00316	13-5, 15-7
TM20T00102075	15-10	TM27I00403	13-7, 14-8, 15-8
TM20T00102100	15-10	TM27I00504	13-5
TM27A00300	13-9	TM27I00505	13-5
TM27A00400	13-5	TM27I00511	13-7, 14-8
TM27A0040025	13-5	TM27I00601	13-7
TM27A00502	13-5, 14-7, 15-7	TM27I05060	13-7
TM27A00610	13-5	TM27I05070	13-7
TM27A05001E	13-9	TM27I05120	14-8
TM27A05001E050	13-9	TM27I05130	14-8
TM27A05001E075	13-9	TM27I05140	15-8
TM27A05001E100	13-9	TM27I05150	15-8
TM27A06091	13-5	TM27I05162	15-8
TM27A0610	14-7, 15-7	TM27K00202	15-16
TM27A615605R	13-3	TM27K00301	13-14, 14-15, 15-15
TM27A615802S	13-3	TM27K00304	13-15, 14-16
TM27B00300	13-11, 14-12, 15-12	TM27K00310	13-15, 14-16, 15-16
TM27B00304	15-13	TM27K00412	13-14, 14-15, 15-15
TM27B00322	15-3	TM27K00503	13-15, 14-16, 15-16
TM27B00400	13-3	TM27K06051	13-14, 14-15, 15-15
TM27B00401	13-3	TM27L00200	13-10, 14-11
TM27B00500	13-3	TM27L00202	13-17, 14-18, 15-18
TM27B00607	15-13	TM27L00204	13-17, 14-18, 15-18
TM27B05071	13-3, 14-3	TM27L00208	13-17, 14-18, 15-18
TM27B05100	13-3, 14-3, 15-3	TM27L00312	13-17, 14-18
TM27B06005	13-11	TM27L00406	13-3, 14-3, 15-3
TM27C00401	14-9	TM27L00412	13-16, 14-17, 15-17
TM27C00401	13-8, 15-9	TM27L00420	13-17, 14-18, 15-18
TM27C00408	13-8, 14-9, 15-9	TM27L00423	13-17, 14-18, 15-18

CROSS REFERENCE

Part Number	Page Number	Part Number	Page Number
TM27L00427	13-3, 14-3, 15-3	TMD27A00300	14-10, 15-10
TM27L00513	13-3, 14-3, 15-3	TMD27A00500	14-7, 15-7
TM27L00516	13-17, 14-18, 15-18	TMD27A00507	14-7
TM27L05100	13-10, 14-11	TMD27A00613	15-7
TM27L05180	15-11	TMD27A05031E	14-10, 15-10
TM27L06020	14-11	TMD27A05031E050	14-10, 15-10
TM27L06030	13-10, 14-11	TMD27A05031E075	14-10, 15-10
TM27L06050	15-11	TMD27A05031E100	14-10, 15-10
TM27M00224	13-18	TMD27A06031	14-7, 15-7
TM27M00225	13-18	TMD27A610601R	15-3
TM27M00226	13-18	TMD27A610602R	14-3
TM27M00227	13-19	TMD27A610802S	14-3
TM27M00228	13-19	TMD27A610807S	15-3
TM27M00229	13-19	TMD27B00300	14-5, 15-5
TM27M00230	13-19	TMD27B00402	14-3, 15-3
TM27M00231	13-18	TMD27B00403	14-3, 15-3
TM27M00232	13-18	TMD27B00404	14-5, 15-5
TM27M00234	13-18	TMD27B00500	15-3
TM27M00235	13-18	TMD27B00502	14-3
TM27M00308	13-16, 14-17, 15-17	TMD27B00529	13-11, 14-12, 15-12
TM27M00401	13-16, 14-17	TMD27B05003	14-12
TM27M00411	15-17	TMD27B05141	15-12
TM27M00502	13-18	TMD27C00300	13-8, 14-9, 15-9
TM27M00510	13-18	TMD27D03001	13-9, 14-10, 15-10
TM27M3170	13-19	TMD27E00501	14-14, 15-14
TM27S00302	13-11	TMD27F00200	14-5, 15-5
TM27S00314	13-16	TMD27F00212	14-5
TM27S00316	13-16	TMD27F00214	14-5
TM27S00318	13-16	TMD27F00220	14-5
TM27S00406	13-11	TMD27F00224	14-5
TM27S04080	13-11	TMD27F00233	14-5
TM27T00102	13-8, 14-9, 15-9	TMD27F00265	15-5
TM27T00102025	13-8, 14-9, 15-9	TMD27F00268	15-5
TM27T00102050	13-8, 14-9, 15-9	TMD27F00300	14-5
TM27T00102075	13-8, 14-9, 15-9	TMD27F00301	14-5, 15-5
TM27T00102100	13-8, 14-9, 15-9	TMD27F00305	14-5
TM27T00103	13-9, 14-10	TMD27F00308	14-5
TM27T00103025	13-9, 14-10	TMD27F00309	14-5
TM27T00103050	13-9, 14-10	TMD27F00311	14-5
TM27T00103075	13-9, 14-10	TMD27F00405	14-5
TM27T00103100	13-9, 14-10	TMD27F00506	14-5
TM27T00106050	13-9	TMD27F00601	14-14, 15-14
TM27T00106075	13-9	TMD27F04110	15-5
TM27T00106100	13-9	TMD27F05090	14-5
TM27T00107	13-3, 14-3, 15-3	TMD27F05100	14-5
TM27T00120	13-9	TMD27F05110	14-5
TM27T01003	13-14, 14-15, 15-15	TMD27F05120	14-5
TM27U01002	13-5	TMD27F05140	15-5
TM27U02001	13-11	TMD27F05200	14-5
TMD13M00500	13-12	TMD27H00402	14-8, 15-8
TMD20F00300	15-5	TMD27H00403	14-5, 15-5
TMD20F00301	15-5	TMD27H00503	14-8
TMD20F00304	15-5	TMD27H00506	15-8
TMD20F00400	15-5	TMD27I00401	14-7, 15-7
TMD20F00401	15-5	TMD27I00402	14-8, 15-8
TMD20F00506	14-5, 15-5	TMD27I00501	14-7, 15-7
TMD20F03100	15-5	TMD27I00502	14-7, 15-7
TMD20T00201	14-10, 15-10	TMD27M00315	14-13
TMD20T00203	15-5	TMD27M00504	14-13, 15-13
TMD20T00204	15-5	TMD27T00201050	14-10, 15-10
TMD27A00205	13-5, 14-7	TMD27T00201075	14-10, 15-10

CROSS REFERENCE

Part Number	Page Number	Part Number	Page Number
TMD27T00201100 ..	14-10, 15-10	X08072120	12-11
TMD27T00203	14-5	X08100102	12-11
TMD27T00204	14-5	X08253020	12-9, 13-17, 14-18, 15-18
TMD27U01001	14-7	X08253040	13-17, 14-18, 15-18
TMD27U01002	14-7	X082531020	15-18
TMD27U01006	15-7	X08253120	12-9
TMD27U02001	14-12	X08253180	14-17, 15-17
TMD27U02002	15-12	X08258080	13-18
X00101B	13-15, 14-16	X08258110	13-18
X00110	13-3, 14-3	X08261110	14-5
X00137A	13-3, 14-3	X12015	13-19
X00334	12-3	X12131	13-16
X00365	12-3	X12143	12-10
X00506	12-4	X12191	12-10, 13-17, 14-18, 15-18
X005692122	12-9	X12251	12-9, 12-11
X00599D	13-7, 14-8, 15-8	X12393	14-5
X00623	13-7, 14-8, 15-8	X12474	12-11
X00666	13-8, 14-9, 15-9	X12489	14-5
X00675	12-7	X12502	12-10
X00692	13-10, 14-11, 15-11	X12511	12-10
X01015	12-3, 12-10, 13-3, 14-3, 15-3	X12517	12-10
X01673	13-10, 14-11, 15-11	X12644	15-5
X01698	12-9, 13-19	X12645	15-5
X01801E	12-10	X12671	13-16, 14-5, 15-5
X02208	13-3, 14-3, 15-3	X12774	12-11
X02236	12-3	X13012	14-12, 15-12
X02544	14-8	X13201	12-9, 13-16
X02583	13-5, 14-7, 15-7	X13203	12-9
X02708	13-16	X13304	13-3, 14-3, 15-3
X02751	12-9, 13-17, 14-17, 14-18, 15-17, 15-18	X14134	14-5
X02959	12-7	X14234	12-12
X03182	12-9	X14235	12-7
X04038	12-3	X14434	14-5
X04057	12-11	X14531	12-12
X04107	12-11	X14583	13-3, 14-3, 15-3
X04136	12-10	X14589	13-7, 14-8, 15-8
X04182	12-8, 12-11	X17025	13-3, 14-3, 15-3
X05696	13-16	X17040	13-11
X06503	12-7	X17045	13-11
X06828	12-7	X17048	13-11
X06920	12-7	X17066	13-7, 14-8
X07005	12-3, 13-12, 14-13, 15-13	X18137	12-9
X07057	12-11	X18402	12-9
X07580	12-12	X18498	14-8, 15-8
X07606	14-7, 15-7	X18521	12-4
X07663	13-3, 14-3, 15-3	X18546	12-7
X07689	13-5, 14-7, 15-7	X18552	13-7
X07737	13-18	X19002	12-10, 12-12
X07738	13-19	X22128	12-3
X07810	12-5	X26124	12-9
X07814	12-3	X26125	12-9
X07815	15-8	X26129	13-3, 13-16, 14-3
X07823	14-12	X26136	14-17, 15-17
X07837	14-5, 15-5	X26138	14-5, 15-5
X07845	13-11, 14-12, 15-12	X26140	14-5
X07846	13-3, 14-3, 15-3	X26142	13-17, 14-18, 15-18
X07854	14-16, 15-16	X26144	14-5
X07861	14-5, 15-5	X26146	13-16
X08016100	12-10	X26153	13-16
X08016120	12-10, 14-5	X26162	15-5
		X26175	15-5

CROSS REFERENCE

Part Number	Page Number	Part Number	Page Number
X400K00261	12-10	02445	11-8
XM32001	13-15, 14-16, 15-16	02446	9-5, 9-7
XM32018	13-3, 14-3, 15-3	02449	10-16
XM32020	13-5, 14-7	02450	10-16
XM32021	13-5, 14-7, 15-7	02452	10-16
XM32022	13-13, 14-14, 15-14	02453	10-15
XM32031	13-7, 14-8, 15-8	02455	6-4
XM32048	13-16, 14-14, 15-14	02456	6-4
XM32050	13-13, 14-14, 15-14	02457	6-4
XM32064	13-8, 14-9, 15-9	02458	6-4
XM32094	13-5, 14-7, 15-7	02460	6-3
XM32134	15-7	02461	6-3
XM37003	13-5, 14-7, 15-7	02462	6-3
XM37005	13-7, 14-8, 15-8	02464	6-83
XM37014	13-8, 14-9, 15-9	02468	6-47, 6-49
XM38003020	14-5, 15-5	02469	6-47, 6-49
XM38003050	14-5	02506-6	10-26
XM38003052	15-5	02515	6-66
XM38003054	14-5	02519	11-27
XM38003110	15-5	02520	11-27
XM38004	13-5, 14-7, 15-7	02530	6-91
XM39000	13-5, 14-7, 15-7	02534	10-16
XM40000	14-5	02535	10-16
Y400I00215	12-4	02536	11-27
Z120S00202	13-11	02543	6-52
Z120S00203	13-11	02545	6-55
Z120S00207	13-11	02554	6-55
Z145D00300	13-9, 14-10, 15-10	02555	6-55
Z145M00308	13-19	02556	6-88
Z145S03000	13-7	02578	9-7
00500-15	11-23, 11-24	02579	6-88
00500-20	6-20, 6-23	02582	11-3
00500-5	6-35, 8-3	02583	11-3
00911	6-79	02586	9-7
00912	11-32	02589	6-13
00960	6-77	02597	9-5
00961	6-75	02683	6-51
00966	6-77, 6-79	02817	9-7
01433-1	6-3	02818	9-7
01666	11-28	02819	9-7
01668	11-28	02984	6-21, 6-22
01686	6-91	02997	6-7
01736	6-9	03233	6-35, 8-3
01818	11-28	03292B	10-17
01844	6-35, 8-3	03391	9-5
02076	8-4	03393	9-5, 10-25
02281	10-15	03394	9-5
02412	11-32	03395	10-30
02430	11-7	03401	9-5
02433	11-8	03402	9-7
02434	11-8	03404	9-15, 9-17
02435	11-8	03405	9-15
02436	11-8	03406	9-8
02437	11-8	03408	10-30
02438	11-8	03409	10-30
02439	11-8	03706	9-11, 9-13
02440	11-8	03711	11-5, 11-6
02441	11-8	03823	9-11, 9-13, 10-13, 10-21
02442	11-8	03838	9-5, 11-5
02443	11-8	03839	6-77, 6-79
02444	11-8	03922	6-77, 6-79

Part Number	Page Number	Part Number	Page Number
03967	6-26, 6-81	08893	8-3
03977	6-41	09088	6-28
03992	10-5	09311	6-79
04020	6-41	09314	6-79
04048	6-27	09322	6-85
04185	11-27	09328	9-11
04198	11-27	09384	10-8
04210	6-27	09385	10-2
04431	6-83, 11-30	09624	6-13, 6-92
04477	11-30	09626	6-92
04499	11-30	09689	6-91
04525	11-27	09725	6-39
04595	10-30	09819	13-18
04597	10-30	09837	6-3, 13-18
04598	10-30	09852	13-18
04601	6-41	09857	13-18
04733-12	6-13	09861	13-18
05178	10-15	09867	13-18
05492	10-15	09877	13-19
05880	6-36	09890	13-18
06222	9-15	09891	13-18
06223	6-4, 9-15	09905	6-85
06224	6-87, 9-11, 9-15	09910	13-18
06227	6-4, 6-87, 9-11, 9-15	09930	13-18
06228	6-87, 9-11, 9-15	10100	14-7, 15-7
06229	6-4, 9-11	10120	6-28
06230	9-11	10136	8-3
06231	9-11	10143	6-42
06279	6-13	10149	6-91
06332	6-4, 6-85	10150	6-91
06333	6-85	10154	6-91
06418	6-13, 6-21, 6-22, 6-83	10160	6-91
06474A	6-61	10203	12-3
06507	6-31, 6-35, 7-3, 8-3	10323	6-37
06573	6-20, 6-23	10397	10-31
06750	10-16	10464	6-77, 6-78
06837	6-83	10470	6-33
06845	6-83	10471	6-33
06846	6-83	10472	6-33
07259	6-83	10473	6-33
07422	6-80, 9-9, 10-2, 10-22, 10-25, 10-29	10488	7-5
07423	6-80	10509	6-39
07483	9-7	10632-1	6-52
07484	9-7	10632-12	6-9
07875	6-41	10632-19	6-19, 10-2, 10-22
07934	6-53, 6-55, 6-56	10664	6-59
08099	6-83	10701	10-2, 10-6, 10-7, 10-8, 10-22, 10-23, 10-24
08100	6-83	10754	7-3
08174	6-13	10756	7-3
08175	6-91	10829	6-25
08228	6-85	10865	6-80, 9-7
08298	6-83	11048	6-13
08329	6-27	11399	6-15, 9-3, 9-5, 9-7, 10-15, 10-27
08407	6-77	11442-1	7-3
08791	6-15, 9-7	11442-10	10-15
08877	9-5, 10-15	11442-7	9-7
08889	6-33, 8-3	11442-8	9-7
08890	6-33, 8-4	11476	6-13, 6-17, 6-19
08891	6-35, 8-4	11531	6-4, 6-37, 8-7, 9-11, 9-13
08892	6-35, 8-3		

CROSS REFERENCE

Part Number	Page Number	Part Number	Page Number
11716	6-13	16400	6-77, 6-79
11869	10-15	16418	10-7, 10-8, 10-24
11870	9-7	16419	10-7, 10-8, 10-24
11893	6-42, 6-79	16420	10-7, 10-8, 10-24
11979	6-35	16421	10-7, 10-24
12052	6-15, 9-7	16422	10-7, 10-8, 10-24
12060	6-15, 9-7	16423	10-7, 10-8, 10-24
12072	6-15, 9-7	16440	9-9
12074	6-15, 9-7	16456	6-54
12784	14-9, 15-9	16485	9-5, 11-7
12927	6-80	16490	6-34, 8-3
12959	6-36	16495	6-33, 8-3
13015-1	6-42, 8-4	16496	6-36, 8-3
13015	6-42	16497	8-8
13016	6-42	16498	8-8
13113	6-51	16499	8-3
13534	6-75	16501	6-37
13611	6-83	16511	10-7, 10-24
13907	11-11	16513	10-6, 10-23
13959	10-2, 10-22	16550	8-3
13XX14141	13-5, 14-7	16551	8-3
14131	6-41	16552	8-3
14215	6-80, 10-2, 10-22	16556	8-3
14326	6-13	16557	8-3
14330	6-29	16559	6-41
14331	6-29	16560	6-41
14432	8-4, 8-8, 10-21	16562	8-6
14595-1	8-3	16563	8-6
14601	6-34, 8-3	16564	8-6
14605	6-54, 8-3	16667	6-80
14700-1	6-25	16669	6-7
14700-2	6-25	16676	6-80
14700-3	6-25	16683	8-4
14700-4	6-25	16690	13-18
14700	6-25	16695	11-23, 11-24
14854	6-63	16706	14-5, 15-5
15331	6-83	16707	14-5, 15-5
15398	6-13	16708	14-5
15543-2	7-5	16710	14-5
15543	6-39	16711	14-5
15555-1	6-41	16712	14-5
15724	10-5	16713	8-6
15785	8-3	16735	7-3
15791-1	12-11	16738	6-39
15806	8-3	16739	14-5
15LG00202	12-7	16769	8-4
15SL00211	12-3	16820	6-37, 8-7
15XX14141	15-7	16832	6-33
16141	12-4	16848	8-5
16142	12-10	16850	8-3
16143	13-12, 14-13	16851	13-12, 14-13, 15-13
16147	12-7, 14-13	16852	13-12, 14-13, 15-13
16148	12-3	16853	6-3, 13-17, 14-18
16153	12-4, 14-7, 15-7	16855	14-13, 15-13
16158	12-10	16860	6-33
16162	12-3	16865	13-12
16168	12-10	16870	7-3
16170	12-4	16928	6-90
16171	12-8	16929	8-5
16172	12-3	16930	6-33, 8-3
16174	12-7, 14-13	16931	8-3

Part Number	Page Number	Part Number	Page Number
16932	8-4	25183	10-2, 10-22
16933	8-4	25184	6-66
16936	6-42, 8-4	25185	9-8
17269	6-25	25186	6-8
17980	6-20, 6-23	25189	6-79
18594	9-3	25195	6-21
18595	9-5	25202	6-79
19048	6-41	25207	6-79
19659	6-83	25208	6-79
20021	6-30, 6-33, 6-34, 6-91	25212	6-79
20120003	13-18	25216	6-79
20120004	13-18	25217	6-34
20120010	13-18	25218	6-34
20120011	13-18	25219	6-13
20833	6-91	25220	6-13
20CL02020	12-3	25224	6-13
21639	10-2, 10-22	25312	10-26
21642	6-9	25359	6-79
21660	11-7	25360	6-85, 9-11, 9-13
21661	11-7	25364	6-79
21690	6-80	25365	6-79
21693	6-80	25373	6-79
21726	6-36	25383	6-79
22134	6-61, 6-63, 6-65	25384	6-79
222831	9-11, 9-13	25632	6-79
22290	6-61, 6-63, 6-65	25636	6-79
22297	6-4, 6-11, 6-21, 6-22, 6-38, 6-39, 6-85	25637	6-79
22308-1	7-3	25639	6-79
22309	7-3	25640	6-79
22473	10-13, 10-21	25642	6-75, 6-77, 6-79
22604	6-52, 11-21	25643	6-79
22640	10-6, 10-23	25645	6-80
22RM00303	12-10	25649	6-4, 6-87, 9-15, 9-17
23158	12-9	25650	6-35, 8-3
23191	6-11	25653	6-37
23498	6-4, 6-77, 6-79, 6-85, 6-87, 9-11, 9-13, 9-15, 9-17	25655	6-79
23515	6-15, 9-7	25656	6-4, 6-85, 6-87
23563	9-7	25659	6-63
23999-8	6-31, 6-35	25663	6-4, 6-85, 6-87, 9-11, 9-15
24012-1	6-36	25665	6-4, 6-85, 6-87, 9-11, 9-15
24047	7-3	25928	9-15
24142	10-2, 10-22	26015	6-4, 6-85, 6-87, 9-11, 9-15
24227	10-2, 10-22	26156	6-11
24298	10-2, 10-22	26315	6-29
24339	6-26, 6-81	26439	6-83
24427	10-2, 10-22	26496	7-3
24576-1	10-6, 10-23	26509	6-39
24576	10-6, 10-23	26523	6-80
24584	7-3, 10-16	26565	6-13, 6-15, 6-30, 6-33, 6-34, 6-54, 6-60, 9-7
24592	10-25, 10-29	26663	6-29
24593	6-9	26X00110	15-3
24924	6-39	26X00137A	15-3
24928-1	7-3, 10-9, 10-10	26X26129	15-3
25014	6-28	26XX00101B	15-16
25018	6-13	27048	7-3
25179	6-37, 8-7	27474	6-9
25180	6-35	27792	6-20, 6-23, 11-23
25181	6-66	28165	6-4, 6-85, 6-87, 9-11, 9-15
25182	6-66	28835	11-23
		29035	9-7

CROSS REFERENCE

Part Number	Page Number	Part Number	Page Number
29662	8-4	31960	10-24
29831-6	6-42	32117	6-9, 6-89
29832-7	6-31, 6-35	32126	6-27, 6-81
30035	15-16	32415	6-90
30036	14-17, 15-17	32435	8-6
30145	9-11	32436	8-6
30173	6-36	32477	6-28
31254	9-3	32486	6-17, 6-19
31260	9-7	32492	6-91
31313	6-15	32493	6-20, 6-23, 6-90
31354	11-23, 11-24	32524	6-13
31377	11-23, 11-24	32552	6-31, 6-35
31382	11-23, 11-24	32575	6-9
31554	6-13, 6-92	32580	6-9
31556	6-52, 11-29	32587	8-6
31557	6-53	32590	8-6
31559	6-53	32712	6-75
31565	6-47, 6-49, 6-51	32724	6-83
31570	6-47, 6-49, 6-51	32759	6-54
31572	6-58	32761	6-54, 11-28
31575	6-54, 11-27	32798	9-9
31589	6-53	32808	8-6
31592	6-37	32814	8-4
31593	6-58	32985	6-90, 6-91
31595	6-53, 6-55	33308	11-5
31596	6-47	33327	9-5, 11-6
31597	6-47, 6-49, 6-51	33510	6-91
31598	6-47, 6-49, 6-51	33579	11-17
31599	6-53	33580	11-17, 11-19, 11-21
31600	6-47, 6-49, 6-51	33600	12-11
31601	6-47	33602	12-11
31602	6-47, 6-49, 6-51	33603	12-11
31603	6-47, 6-49, 6-51	33692	10-15
31605	6-20, 6-23	33694	11-17
31606	6-47, 6-49	33743	6-91
31608	6-47, 6-49	33744	6-91
31610	6-47, 6-49, 6-51	33745	6-91
31611	6-47, 6-49, 6-51	33746	6-91
31612	6-47, 6-49	33747	6-91
31613	6-53	33748	6-91
31614	6-77	33749	6-91
31615	6-77	33778	10-15
31616	6-47	33782	10-8
31619	6-77	33783	10-8
31632	6-54	33842	12-9
31634	6-19	33843	13-19
31638	11-29	33846	12-9
31639	11-29	33848	13-19
31642	11-27	33849	13-19
31643	11-27	33850	13-19
31651	6-66	33855	13-19
31668	6-8	33856	12-9
31672	6-47, 6-49, 6-51	33861	12-9
31705	6-81	34065	6-35, 8-3
31935	6-35	34092	11-9
31936	7-3	34094	11-9
31937	8-3	34097	11-9
31942	14-3	34158	11-9
31943	14-3	34159	11-9, 11-13
31944	13-3	34160	11-9
31945	13-3	34161	11-9

Part Number	Page Number	Part Number	Page Number
34162	11-9	369849	9-11, 9-15
34178	11-17, 11-19, 11-21	370133	6-91
34179	11-17, 11-19, 11-21	37089	6-8
34189	13-18	37101	6-9
34193	13-18	37420	6-3, 12-10
34194	6-35, 8-3	37421	6-3, 12-10
34297	13-18	37422	12-10
34298	13-18	37450	11-9
34299	13-18	37451	11-9
34310	6-56, 11-9	37453	11-9
34351	6-49, 6-51	374532	7-3
34355	6-47	37460	11-11
34359	6-13	37462	11-9, 11-11
34375	10-5	374648	7-3
34387	6-49	374649	7-3
34420	6-49	37467	11-9
34422	6-49	375585	6-37
34429	13-14, 14-15, 15-15	375613	6-79
34547	14-13	375614	6-79
34640	13-13, 14-14, 15-14	37572	11-3
34726	6-3, 13-18	375724	9-14, 9-15, 9-17
34727	13-18	37573	11-3
34738	8-4	37594	12-4
34749	13-16	37612	12-11
34752	13-15, 14-16, 15-16	37616	11-17, 11-19, 11-21
34792	10-31	37617	11-23, 11-24
34796	14-14, 15-14	37631	12-5
34797	13-16	37634	12-3
34798	13-16	37756	11-17, 11-19, 11-21
34801	8-5	37766	11-17, 11-19, 11-21
34802	8-5	37778	11-3
34803	8-5	37793	12-3
34804	8-5	37794	12-12
34805	6-35	37803	12-3
34810	6-80	37806	12-7
34813	6-80	37808	12-4
34830	13-14, 14-15, 15-15	37816	12-10
34833	6-35, 8-3	37933	12-9
34841	8-5	37934	12-9
34861	8-5	37935	12-10
34866	8-5	37942	13-5, 14-7, 15-7
34867	8-3	37955	11-17
34873	13-14, 14-15, 15-15	37958	12-7
34876	13-5, 14-7, 15-7	38006	13-19
34877	6-35	38010	12-11, 13-16
34880	7-3	38076	12-10
34881	7-3	38077	12-3
34904	8-3, 12-12	38081	12-3
34908	6-36, 8-3	38082	13-3, 14-3, 15-3
34910	8-3	38083	12-5
34954	8-3	38084	12-5
34996	6-39	38086	12-7
34997	6-39	38087	12-11
35033	6-52, 6-57, 6-60	38089	12-11
35586	6-52	38094	12-10
36328	6-21, 6-22, 6-92	38097	12-4
36417	6-35, 8-4	38099	12-7
36466	6-92	38101	12-3
36644	6-85, 6-87, 9-13, 9-17	38102	12-3
36829	6-60	38103	12-12
369701	6-83	38104	12-12

CROSS REFERENCE

Part Number	Page Number	Part Number	Page Number
38106	12-9	38916	15-10
38109	12-4	38917	14-10, 15-10
38110	12-4	38918	14-15, 15-15
38225	12-7	38919	14-18, 15-18
38226	12-3	38920	15-11
38228	12-3	38968	11-17, 11-19, 11-21
38255	11-17, 11-19, 11-21	38991	13-18
38321	10-16, 11-3	38992	13-19
38379	14-5, 15-5	39272	6-42, 8-4
38381	13-11, 14-12, 15-12	39274	6-20, 6-23
38383	14-14, 15-14	39277	8-3
38384	14-5	39278	10-15
38385	14-5	39279	6-37, 8-3
38386	14-5	39284	6-35, 8-3
38388	14-5	39312	8-3
38390	14-5	39322	6-61, 10-15
38391	14-5	39347	6-83
38392	14-5	39348	6-13
38393	14-5, 15-5	39527	11-23, 11-24
38395	14-5	39703-2	6-3, 14-18
38396	14-5	39703-6	8-3
38397	13-5	39797	13-16
38401	13-15, 14-16, 15-16	39810	6-17, 6-19
38402	13-17, 14-18, 15-18	39912	6-83
38403	13-16, 14-17, 15-17	40052	6-79, 6-85, 9-11, 9-13
38404	13-3, 14-3, 15-3	40061A	6-11
38405	13-17, 14-18, 15-18	40076	6-21, 6-22
38406	13-17, 14-18, 15-18	40143	10-15
38408	13-3, 14-3, 15-3	40144-1	10-15, 11-3
38409	13-17, 14-18, 15-18	40144-20	11-3
38410	13-18	40144-21	11-3
38411	14-5	40144-22	11-3
38412	14-5	40144-4	10-15, 11-3
38413	13-3, 14-3, 15-3	40144-5	10-15
38415	14-5, 15-5	40144-6	11-3
38416	13-11, 14-12, 15-12	40145	10-15, 10-16
38417	14-5, 15-5	40151	10-15
38418	14-17, 15-17	40152	10-15
38419	14-5	40154	10-15
38420	13-13	40155	10-15
38423	13-19	40171	10-13, 10-21
38428	12-11	40173-1	10-13
38445	12-12	40173	10-13, 10-21
38446	11-8	40175	10-15
38449	14-9	40354	6-28
38550	13-19	40362	6-53, 6-60
38572	14-10, 15-10	40390	6-21, 6-22, 6-77, 6-79
38595	11-3	40496	6-77, 6-79
38665	13-5, 15-7	40514	6-52, 6-57, 6-59, 6-60, 10-5, 10-16
38715	11-4	40550	6-85, 9-11, 9-13
38753	14-8, 15-8	40565	6-75, 6-77
38758	14-3, 15-3	40573	10-15
38788	14-15, 15-15	40575	6-17, 9-7
38836	14-10, 15-10	40585	6-41
38839	14-10, 15-10	40625	6-35
38842	14-10, 15-10	40646	6-17, 6-19
38843	14-14, 15-14	40670	10-13, 10-21
38844	15-12	40671	10-13, 10-21
38856	14-18, 15-18	40678-1	6-31, 6-87
38857	14-18, 15-18	40726	11-8
38873	11-25		

Part Number	Page Number	Part Number	Page Number
40727	6-75	42499	6-20
40755	6-56	42639	6-22, 6-23
40758	6-17, 6-19	42779	6-85
40759	6-17, 6-19	42809	6-77, 6-79
40840	6-77	42897	6-61
40846	6-13	43203	6-7
40870-1	6-4, 6-77	43246	10-16
40870-2	6-79	43363	6-7, 9-11, 9-13
40870-5	6-77	43454	6-9
40870-7	6-4	43460	9-15
40999A	6-21, 6-22	43555	6-4, 6-87, 7-5, 9-15, 9-17
41007	6-77, 6-79	43844	6-31, 8-6
41016	6-63	44031	6-9, 6-15, 9-5
41032	6-21, 6-22	44310	6-25
41046	6-75	44542	9-7
41063	6-15, 9-7	44847	9-7
41066	6-83	44868	6-54, 6-58
41073	6-83	44869	6-53
41081	6-83	44961	6-83, 7-6
41082	6-83	45223	8-5
41083	6-83	45224	8-5
41084	6-83	45339	10-22
41109	6-75	45595	9-9
41112	6-81	45617	12-9
41130	6-77, 6-79	45622	11-17, 11-19, 11-21
41169	6-85, 6-87, 9-13, 9-17	45623	11-17, 11-19, 11-21
41186	6-35	45628	11-23, 11-24
41187	8-4	45631	6-3, 12-10
41342	6-35, 8-3	45639	12-9
41348	8-3	45647	12-11
41358	6-35, 8-4	45659	12-9
42006	14-7, 15-7	45670	10-8
42009	14-7, 15-7	45780	10-2, 10-22
42034	6-85	45850	8-6
42038	6-85	46029	6-63, 6-65
42082	10-6, 10-10, 10-11, 10-13, 10-25	46236	6-29, 8-6
42116	14-7, 15-7	46314	10-7, 10-24
42120-2	6-83	46480	10-15
42120-4	6-83	46481	6-37, 6-52, 6-53, 6-56, 6-57, 6-58, 6-59
42120-9	6-13	46485	7-3
42120	6-13	46611	7-3, 10-15
42126	6-20, 6-21	46800	6-11
42133A	6-15, 9-5, 9-7	46928-1	10-8
42140	6-53, 6-55	47010-1	6-25
42148	14-9, 15-9	47010-2	6-25
42149	15-5	47010-3	6-25
42153A	6-15	47010-4	6-25
42170-36	8-3	47010-6	6-25
42214	10-15	47010-7	6-25
42215	6-54, 6-58	47178-12	6-80
42239	6-29	47178-13	6-80
42240	6-61, 6-63, 6-65	47356	8-5
42260	6-37, 6-52, 6-53, 6-55, 6-56	47388	7-3, 13-17, 14-18, 15-18
42311	6-83	47498	6-54, 6-56, 6-57, 10-16
42328	14-8, 15-8	47504	6-54, 6-56, 6-57, 6-58, 10-5
42330	15-8	47508	6-56, 6-57
42331-1	6-77, 6-79	47512	6-55, 6-56, 6-57
42337	14-8, 15-8	47518	6-20, 6-23
42399	6-83	47519	6-58
42498	6-21	47535-1	10-6, 10-23

CROSS REFERENCE

Part Number	Page Number	Part Number	Page Number
47535-2	10-6, 10-23	49934	6-35
47535	10-6, 10-23	49943	10-5
47536-1	10-6, 10-23	50304	6-28
47536	10-6, 10-23	50330	6-80
47537-1	10-6, 10-23	50456	8-4
47537	10-6, 10-23	50461	6-29
47566	6-41	50493	6-63, 6-65
47579	6-31	50501	12-11
47585	6-61, 6-63, 6-65	50502	12-11
47636	10-15	50508	12-11
47638	6-54	50509	12-11
47662	10-15	50518	6-4, 6-87
47675	12-9	50544	6-15
47680	12-9, 13-19, 14-5, 15-5	50565	7-3
47721	10-15	50646	6-9
47743	6-31	50788	10-13, 10-21
47744	6-30, 6-33	50789	10-13, 10-21
47745	6-77, 6-91	50790	10-13
47752	6-52	50817	6-37
47768	10-2, 10-22	50845	6-4, 6-11
47801	6-79, 6-83, 11-30	50864	6-79
47826	6-38, 6-39, 7-3, 7-5	50902	6-15
47845	6-15	50960	6-52
47846-3	9-5	50967	6-37
47846	6-15, 9-5	51046	6-21, 6-22
47848	9-3, 10-16	51109	6-29
47915	6-55, 11-8	51176	6-31, 6-35, 8-4
48108A-1	10-16	51305	6-37, 13-3, 14-3, 15-3
48108A	6-60, 10-16, 11-31	51317	6-21, 6-22
48126	6-29	51321-3	6-37
48144	7-3	51368	6-9
48183	6-9	51406	11-5, 11-6
48211	10-2, 10-22	51416	11-5, 11-6
48242	6-9	51448	6-20, 6-21, 6-22, 6-23
48267	6-41	51449	6-22, 6-23
48663	6-52, 11-17	51452	6-20, 6-23
48789	11-6	51458	6-7
48790	6-7	51459	6-7
48791	11-6	51530	6-91
48879	6-63	51531	6-61
48880	6-56, 11-22	51534	6-92
48884	6-91	51545	6-28
48887	6-63	51560-3	6-39
48897	6-63	51560-5	6-38, 6-39
48899	6-42	51562	6-28
48901	6-13	51564	6-21, 6-22, 6-31, 6-35, 6-92
48906	11-22	51570	10-2, 10-22
48907	11-22	51572	10-2, 10-22
48908	11-22	51658-5	6-38, 6-39
48909	11-22	51689	6-30, 6-33, 6-34
48910	6-26, 6-81	51690	6-30, 6-33, 6-34
48911	6-26, 6-81	51691	6-34
48912	10-27	51692	6-30, 6-33, 6-34
49021	6-79	51693	6-30, 6-33, 6-34
49022	10-2, 10-22	51748	6-47
49024	6-36	51779	10-15
49262	10-2, 10-7, 10-24	51782	10-15
49263	9-5	51787	6-9
49266	10-2, 10-22	51798	10-8
49681	6-61, 6-63	51805	7-3
49924	9-15	51809	10-16

Part Number	Page Number	Part Number	Page Number
51938	6-20, 6-21, 6-22, 6-23	54194	6-23
52049	6-34	54241	12-11
52163	6-29	54274	6-36
52296	6-15, 9-7	54333	6-38, 6-39, 6-41, 7-3, 7-5, 9-3, 9-5, 9-7, 9-14, 9-17
52388	6-25	55248	9-5
52405	11-17, 11-19, 11-21	55586	6-52, 6-53, 6-92
52448	10-15	55619	6-58
52450	6-38	55685	6-54, 6-55, 6-56
52504	6-31, 6-33	55705	6-49
52508	6-31, 6-33, 6-63, 6-65	55740	6-3, 6-58
52580-2	8-8	55775	6-51
52580	6-38	55911	12-10
52615	6-7	55926	11-9
52724	14-10, 15-10	55929	11-9
52725	14-8, 15-8	55936	11-9
52730	15-8	55977	12-12
52734	15-8	55994	6-3, 12-10
52736	13-3, 14-3, 15-3	56506	9-11, 9-13
52738	15-17	56690	6-25, 6-54
52753	14-9, 15-9	56820	6-25, 6-53, 6-55, 6-83
52756	14-7, 15-7	56821	6-60
52757	14-7, 15-7	56827	6-54
52760	14-7, 15-7	56903	6-15, 9-7
52764	14-11, 15-11	56992	6-80, 9-9
52766	14-17, 14-18, 15-17, 15-18	57075	6-35
52770-8	8-6	57152	11-25
52770-9	6-3, 14-5	57156	11-25, 11-26
52781	6-36	57196	6-60
52785-1	6-37	57311	6-35, 8-4
52789	6-61, 6-63, 6-65	57377	9-5
52814	6-30, 6-33	57378	9-5
52830	6-31	57379	9-3, 9-5
52859	14-8, 15-8	57444	9-3
52898	14-7, 15-7	57567	6-81
52899	15-5	57568	6-51
52911	6-57	57630	6-9, 6-85, 9-11, 9-13
52925	6-30, 6-33	57676	6-25
53051A	8-5	57964	6-47, 6-49, 6-51
53055-2	6-3	57971	6-47
53078	6-29	57982	6-25, 11-25
53079	6-29	58067	7-4
53083-14	10-15	58107	6-77, 6-79
53174-1	10-7	58114	6-77, 6-79
53268	7-3	58120	6-3, 6-38, 6-39
53395-2	7-3	58596	11-25, 11-26
53400-1	7-3, 10-9, 10-10, 10-11	58858	6-53, 6-56, 6-57
53400-2	10-9, 10-10, 10-11	59560	6-51
53400-3	10-9, 10-10, 10-11	59617	6-3, 6-17, 6-19
53400-4	7-3, 10-9, 10-10, 10-11	59632	6-91
53400-5	10-9, 10-10, 10-11	59633	6-17, 6-19, 6-65, 6-91
53963A	6-13	59634	6-91
53988-12	12-3, 12-10, 12-11, 13-15, 14-16, 15-16	59639A	6-90
53988-13	12-3, 12-11, 13-15, 14-16, 15-16	59851	6-75
53988-14	12-3, 12-11	59857	6-75
53988-16	12-10	59865	6-75
54027	7-3	59874	6-75
54041	6-92	59984	10-25, 10-29
54127	6-61	60015	6-3, 6-17, 6-19
54180	6-80	60016	6-4, 6-91
		60018	6-4, 6-90

CROSS REFERENCE

Part Number	Page Number	Part Number	Page Number
60969	10-24	62700	6-63
60970	6-8	62702	6-63
61157	9-11, 9-13	63182-1	9-3, 9-5
61170	6-85, 6-87, 9-13, 9-17	63182-2	9-3
61171	6-85, 6-87, 9-13, 9-17	63182-4	9-5
61174	6-85, 6-87, 9-13, 9-17	63244-3	10-16
61175	6-85, 6-87, 9-13, 9-17	63282	6-61, 6-63, 6-65
61176	6-85, 9-13	63292	6-65
61181	6-85, 6-87, 9-13, 9-17	63511	6-85, 9-11, 9-13
61187	9-17	63814	9-9
61188	9-17	63837	9-9
61189	9-17	63923	11-7
61245	6-87, 9-17	63924	11-7
61258	6-28	64685	9-15, 9-17
61261	6-89	64730	6-80
61279	6-41	64795A	10-29
61478	6-3	64795C-1	10-25
61489	6-20, 6-23, 11-24	64899	6-75
61490	11-24	64903	6-8
61515	6-35, 8-3	64921	10-25, 10-29
61516	6-35, 8-3	65145-1	6-56, 6-57
61517	6-35, 8-3	65221	6-3, 6-59
61611	6-37	65241	11-26
61628	9-11, 9-13	65869-5	6-3
61639	6-28	65889	9-11
61649	6-27	65890	6-85
61683	6-41	65894	8-4
61686	6-41, 8-6	65897	6-89
61687	6-41	65898	6-89
61695	7-3	65899	6-89
61696	6-35	65934	6-63
61697	8-4	65935	6-63
61701	6-78	65936	6-63
61705	10-22	65939	6-63
61711	13-3, 14-3, 15-3	65940	6-63
61724	14-9, 15-9	65941	6-63
61725	14-7, 15-7	65942	6-63
61733	15-5	65947	6-35
61736	14-9, 15-9	65948	13-16
61741	14-7, 15-7	65949	13-16
61748	15-5	65950	13-16
61749	14-11, 15-11	65951	8-4
61762	14-9, 15-9	65965	15-5
61775	14-9, 15-9	65966	15-5
61776	14-17, 15-17	65967	8-4
61777	15-5	67310	6-57
61793	15-7	67515	10-15
61882	11-11	67832	6-52
61886	11-13	68101	8-5
62234	6-54	68222	8-5, 10-5, 10-25, 10-29
62389	6-60	68275	6-7
62390	6-53	68301	9-5
62417-2	10-5	68567	6-7
62515	6-31, 12-3	68866	6-65
62530-1	6-80	68869	8-3
62530	6-80	68870	8-3
62595-18	6-9, 8-4, 9-5, 10-25	68872	8-4
62595-4	6-9, 7-3	68962	6-37
62595-5	9-3	69261	11-28
62595-6	9-5, 10-25	69494	6-34
62595-9	6-9	69571	6-9

CROSS REFERENCE

Part Number	Page Number	Part Number	Page Number
70284	6-9	74278	11-13
74094	11-25	74279	11-13
74097	11-25	74280	11-11
74098	11-17, 11-19, 11-21	74281	11-11
74105	11-25, 11-26	74282	11-13
74109	11-25, 11-26	74283	11-11, 11-13
74110	11-25, 11-26	75045	6-85
74111	11-25, 11-26	75050	6-91
74112	11-25, 11-26	75054	10-13, 10-21
74121	11-17	75072-1	6-81
74122	11-17, 11-19, 11-21	75072-5	6-81
74123	11-17, 11-19, 11-21	75073	6-81
74124	11-17	75075	6-81
74125	11-17, 11-19, 11-21	75076	6-4, 6-87, 10-13
74137	11-17, 11-19, 11-21	75081A	6-87
74162	6-52, 11-19	75095	10-13
74163	6-57, 11-11, 11-13	75096	6-87
74165	11-19, 11-21	75098	6-87
74166	11-19, 11-21	75103	6-85
74167	11-19, 11-21	75106	6-85
74168	11-17, 11-19, 11-21	75108	10-4
74170	11-19	75118	10-13, 10-21
74171	11-19, 11-21	75119	6-15, 10-15
74176	6-25, 11-26	75127	10-13, 10-21
74181	11-26	75128	10-13, 10-21
74182	11-26	75143-2	6-85
74184	11-11	75144	10-4
74186	11-25, 11-26	75156	6-87
74187	11-25, 11-26	75170	6-87
74188	11-25, 11-26	75171	6-87
74189	11-25, 11-26	75174	6-87, 9-15
74190	11-26	75175	6-87, 9-15
74195	11-25, 11-26	75179	10-15
74210	11-11	75180	10-15
74218	11-25, 11-26	75181	10-15
74223	11-11	75182	6-85
74240	11-11	75184	10-16
74249	11-17, 11-19, 11-21	75185	10-15, 11-32
74251	11-25, 11-26	75186	10-15
74253	11-11	75187	10-15
74254	11-11	75188	6-85
74256	11-11	75190	6-88, 6-89
74257	11-11	75194	10-16
74258	11-11	75196	10-15
74259	11-13	75197	9-7, 10-15
74260	11-13	75198	10-15
74261	11-13	75199	10-16
74262	11-11	75210	6-77
74263	11-11	75244-1	6-8
74264	11-13	75249	6-29
74265	11-11	75267	6-8
74266	11-11	75268	6-8
74267	11-11	75272	6-7
74270	11-13	75285	6-29
74271	11-13	75296	6-83
74272	11-11	75314	6-15, 9-7
74273	11-11, 11-15	75318	6-15
74274	11-13	75319	6-15, 9-7
74275	11-13	75365	6-26, 6-81
74276	11-11	75368	6-28
74277	11-13	75369	6-28

CROSS REFERENCE

Part Number	Page Number	Part Number	Page Number
75371	6-65	75702	6-17
75375	7-6	75703	6-19
75379-1	6-8	75706	6-23
75379	6-8	75711	6-3, 6-17, 6-19
75400	6-31	75712	6-17
75404	6-31	75713	6-19
75420A	6-31	75718	6-5
75430	6-9	75722	6-5
75454	6-77, 6-78	75740	6-17, 6-19
75456-1	6-79	75757	6-17, 6-19
75456-2	6-79	75760	6-20, 6-21
75456-3	6-79	75761	6-20, 6-21, 6-22, 6-23
75456-4	6-79	75764	6-13
75456	6-79	75766	6-13
75461	6-77, 6-79	75768	6-20, 6-23
75467	6-77	75769	6-20
75480A	6-9	75772	6-20, 6-23
75486A	6-31, 6-37	75773	6-20
75498A	6-31	75774	6-23
75499A	6-31	75780	6-20, 6-23
75501-1	6-17	75781	6-21, 6-22
75501A-1	9-3	75786	6-20, 6-23
75520	6-20, 6-23	75788	6-17
75528	6-17, 6-19	75789	6-19
75530	6-11	75790	6-17
75535	6-28	75791	6-17
75547	6-8	75795	6-19
75550	6-11	75796	6-19
75569	6-11	75799	6-3, 6-17, 6-19
75570	6-11	75801	6-15
75571	6-11	75802-1	6-15, 9-7
75572	6-11	75803	6-15, 9-7
75575	6-11	75810	6-9
75588	6-17, 6-19	75811	6-9
75592	6-17, 6-19	75812	6-9
75596A	6-15	75813	6-9
75597A	6-15	75814	6-9
75600	6-20, 6-21	75815	6-87
75601A	6-15	75816	6-85
75604	6-15, 9-5, 9-7	75903	10-3
75607	6-11	75906	10-4
75611	6-15, 6-85	75923	10-27
75616	6-13	76058	6-29
75617	6-13	76059	6-29
75622	6-13	76062	10-2, 10-22
75627	6-13	76063	6-13
75631	6-22	76066	6-19
75634	6-11	76067	6-9
75635	6-4, 6-85, 9-11, 9-13	76075	10-27
75636	6-11	76076	10-27
75638	6-11	76087	6-29
75642	6-11	76089-2	10-25, 10-29
75643	6-11	76090	10-29
75648	6-11	76113	6-9
75649	6-11	76152	10-13
75654	6-22	76153	10-13
75655	6-22	76154A	10-13
75656	6-21	76155	10-29
75657	6-21	76156	6-9
75673	10-4, 10-19	76157	6-85, 9-11, 9-13
75681	6-11	76158	6-9

Part Number	Page Number	Part Number	Page Number
76217	6-66	76811	6-8
76218	6-20, 6-21	76813	6-9
76220	10-2, 10-22	76816	6-28
76231	6-66	76821	6-61, 6-63
76234	6-80	76822	6-61
76252	10-5	76823	6-61, 6-63
76269	6-91	76825	6-38, 6-39
76290	6-31, 6-35	76827	6-38, 6-39
76291	6-31, 6-35	76828	6-4, 6-85, 9-11, 9-13
76292	6-31	76830	6-36
76306	6-80	76831	6-36
76313	6-42	76833	6-38
76319	8-8	76841	6-37
76321	8-8	76858	10-3
76332	6-38, 6-39, 8-8	76859	10-3
76335	6-3, 8-8	76860	10-3
76340	6-91	76861	10-3
76353	6-91	76862	10-3
76354	6-9	76863	10-28
76390	6-63, 6-91	76864	6-10
76391	6-91	76866	6-10
76392	6-90	76867	6-10
76395	6-4, 9-11, 9-13	76868	6-10
76403	9-11, 9-13	76869	6-9
76408	9-3	76870	6-10
76411	9-3	76873-1	6-31, 12-7
76414	9-3	76874A	6-31
76426	6-85, 6-87, 9-11, 9-13, 9-15, 9-17, 10-2, 10-9, 10-13, 10-23	76877	10-2, 10-22
76436	9-8	76880	10-19
76532	6-4, 6-85, 9-11, 9-13	76881	10-19
76536	6-80	76882	6-77, 6-79
76539	6-27	76896	6-90
76540	6-83	76899	6-75
76544	6-31, 6-35	76903	6-28
76560	6-31, 6-34	76904	6-28
76562	6-9	76915	6-83
76564	6-31	76921	6-90
76568	6-20, 6-23	76922-1	6-90
76570	10-15	76927	6-90
76579A	6-31, 6-33	76937	6-4, 6-91
76580	6-30	76943	6-91
76581	6-31, 6-33	76946	6-91
76583	6-9	76974-1	6-91
76588	6-31	76978	6-90, 6-91
76589-2	7-5	76979	6-90
76596A-1	6-37	76984-1	6-90
76596A	6-37	76988	6-91
76601	6-31	76997	6-92
76602	6-31, 6-34	77097	6-13, 6-92
76607	6-31	77099	6-54
76628	6-13	78005-2	6-31, 6-35, 8-3
76640	6-8	78012	6-10
76649	6-27	78013	7-4
76650	6-9	78014	7-4
76665	6-23	78017	7-4
76667	6-20	78032	6-31
76677	6-19	78059	6-88
76736	6-42	78068	6-31, 6-35
76762	6-35	78078	6-13
76800	6-31, 6-33	78080	6-29
		78081A	7-3

CROSS REFERENCE

Part Number	Page Number	Part Number	Page Number
78085	7-3	78802	6-4
78088	7-3	78819	6-87, 9-11, 9-15
78090	10-11	79066	6-65
78092	7-3	79067	6-65
78093	6-91	79068	6-65
78096	6-90	79069	6-65
78099	10-4, 10-19	79070	6-65
78101	10-4, 10-19	79071	6-65
78104-4	6-9	79073	6-65
78109	10-10	79074	6-65
78116	10-28	79075	6-59
78118	6-9	79077	6-65
78120	10-10, 10-11	79078	6-57
78122	7-3	79079	6-51
78126	6-31	79080	6-65
78127	10-26	79091	13-19
78135	6-75	79092	13-19
78140-1	6-9	79102	10-2, 10-22
78143	6-60	79104	6-51
78144B	6-37	79105	6-51
78146	6-31	79106	6-51
78153	10-2, 10-22	79107	6-51
78154	10-8	79111	6-3
78155	10-6	79112	6-3
78156	10-28	79114	6-65
78157	10-5	79250-1	9-13
78159	10-29	79273-2	9-7
78160	10-2	79273	9-3, 9-5
78161	10-8	79301	9-7
78164	10-6	79314	9-9
78167	10-13	79318	9-9
78170	6-31, 6-35, 8-3	79332	9-15
78171	10-15	79367	9-15, 9-17
78187	6-26, 6-81	79368	10-9
78189	6-26, 6-81	79390	9-15
78190	6-27	79391	6-4, 9-15
78191	6-27	79392	6-87, 9-15
78517	13-3, 14-3, 15-3	79396	9-11
78518	15-3	79410	9-9
78519	15-3	79414	9-15
78520	14-5, 15-5	79424	9-15, 9-17
78521	14-5, 15-5	79426	10-19
78522	15-5	79427	10-22
78523	15-5	79428	10-23
78524	15-5	79429	10-21
78525	15-5	79434	10-25
78526	15-5	79436	10-23
78527	15-5	79439	10-2, 10-22
78528	15-5	79451	10-25
78529	15-5	79452	10-25
78531	15-13	79453	9-14, 9-17
78532	15-18	79464	9-15, 9-17
78560	6-92	79471	9-15, 9-17
78561	6-92	79472-1	9-15, 9-17
78562	6-17, 6-19	79473-1	9-15, 9-17
78641	6-90	79474	9-15, 9-17
78642	6-91	79475	9-11, 9-13
78670	6-88, 6-89	79476	9-15, 9-17
78673	6-88, 6-89	79477	9-15, 9-17
78695	6-91	79478	9-15, 9-17
78795	6-91	79484	9-5, 9-7

CROSS REFERENCE

Part Number	Page Number	Part Number	Page Number
79488	9-15, 9-17	82958	6-85, 6-87, 9-13, 9-17
79500	6-4, 9-11, 9-13, 9-15, 9-17	85148	10-31
79508-1	10-17	86029	6-63, 6-65
79515	10-17	87536	6-80
79517	10-17	87579	6-17, 6-19, 6-85
79518	10-17	87866	6-80
79530	10-25	8FC00205	12-3
79532	10-21	8TC00200 1	12-3
79535	10-21	8UL00212	12-8
79538	10-21		
79542	10-25		
79545	6-4, 9-15, 9-17, 10-21		
79546	10-21		
79547	10-21		
79553	10-25		
79557	6-4, 9-11, 9-13		
79558	9-11, 9-13		
79570	9-15, 9-17		
79571	9-5		
79572	9-5		
79580	9-5, 9-14, 9-17		
79605	6-7		
79606	9-7		
79614	11-4		
79708	11-13		
79742	11-11		
79743	11-11		
79744	11-11		
79745	11-11		
79746	11-11		
79747	11-11		
79748	11-13		
79749	11-13		
79750	11-13		
79751	11-13		
79752	11-13		
79753	11-13		
79754	11-15		
79755	11-15		
79756	11-15		
79757	11-15		
79758	11-15		
79759	11-15		
79760	11-15		
79761	11-15		
79762	11-15		
79763	11-15		
79764	11-15		
79765	11-15		
79766	11-15		
79767	11-15		
79771	11-11		
79776	11-15		
79779	11-11		
79828	11-21		
7TC00215	12-3		
82661	6-53		
82829	6-35, 6-41		
82832	6-47, 6-49, 6-51		
82833	6-83		
82835	6-47, 6-49, 6-51		

PART DESCRIPTION TO PAGE NUMBER CROSS REFERENCE LIST**A**

Actuator, Valve, 11-13
Adapter (For Engine 16850), 14-5
Adapter, Cylinder Rod, 6-92
Adapter, Filter, 1/8NPT, 6-38, 6-39
Adapter, Fuel Filter, 15-5
Adapter, Injection Pump, 15-5
Adapter, Inlet Tube, 13-10, 14-11
Adapter, Oil Filter, 13-17, 14-18, 15-18
Adapter, 13-16, 14-5, 15-5
Adaptor Assembly, 11-9
Adaptor, Cylinder, 6-91
Adaptor, Rear Squeegee, 10-13
Adaptor, Squeegee Wand, 10-13, 10-21
Adaptor, Tank, 10-21
Adaptor, Vacuum Wand, 10-21
Adaptor, 9-3
Adjuster Assembly, Seat, 6-7
Adjuster, Rear, 6-90
Adjuster, Seat, 6-7
Air Cleaner, 6-38, 6-39, 8-8
Alternator, 6-35, 8-3, 12-12
Ammeter, 6-80
Anchor, Governor Spring, 13-16
Angle, Brake Adjustment, 6-28
Angle, Cable, 6-34
Angle, Grille, 6-9
Angle, Mounting Bracket, 8-3
Angle, Shock Mount, 6-63
Angle, Shock, 6-63
Angle, Spring Mounting, 6-61, 6-63
Angle, 6-79
Arm Assembly, Rocker, Exhaust, 13-7, 14-8, 15-8
Arm Assembly, Rocker, Intake, 13-7, 14-8, 15-8
Arm Assembly, Vertical Block, 6-91
Arm Assembly, 6-90
Arm, Brake, 6-28
Arm, Brush Drive, 6-20, 6-23
Arm, Control, 6-15, 9-7, 11-11
Arm, Engine Cover Support, 6-9
Arm, Front Brush Idler, 6-21

Arm, L.H., 6-90
Arm, Pump Control, 6-63
Arm, R.H., 6-91
Arm, Rear Brush Idler, 6-22
Arm, Rocker, 13-11
Arm, 8-3

B

Back Frame, 6-9
Backplate Kit, 11-22
Backplate S/A, 11-13
Baffle, Valve Chamber Oil Drain, Front, 12-3
Baffle, Valve Chamber Oil Drain, Rear, 12-3
Ball Joint, Governor Rod to Carburetor, 12-9
Ball Joint, Governor Rod to Governor Arm, 12-9
Ball Joint, Lower, 6-61
Ball Joint, Upper, 6-61, 6-63, 6-65
Ball Joint,, 6-65
Ball Joint, 6-30, 6-33, 6-34, 6-63, 6-92, 8-3
Ball, Float, 6-85, 9-11, 9-13
Ball, 11-17, 11-19, 11-21, 11-25, 11-26
Balljoint, 13-16
Band, Air Cleaner, 8-8
Band, Front, Squeegee, 6-90
Band, Rear, Squeegee, 6-91
Band, Squeegee, Retaining, 6-17, 6-19
Bar, Mounting, 6-15, 9-7
Barrel, Trip, 6-91
Base, Fuel Filter, 15-5
Base, Oil Filter, 12-10
Basket, Soap, 6-87
Battery, 625 CCA, 8-3
Battery, 540 CCA, 6-42
Bearing Assembly, Cup and Cone, 6-81
Bearing Kit, Connecting Rod, 0.25 mm Undersize, 14-10, 15-10
Bearing Kit, Connecting Rod, 0.25 mm undersize, 13-9
Bearing Kit, Connecting Rod, 0.50 mm Undersize, 14-10, 15-10
Bearing Kit, Connecting Rod, 0.50 mm undersize, 13-9

Bearing Kit, Connecting Rod, 0.75 mm Undersize, 14-10, 15-10	Blade, Front, Squeegee, 6-90
Bearing Kit, Connecting Rod, 0.75 mm undersize, 13-9	Blade, Front, 6-4
Bearing Kit, Connecting Rod, 1.00 mm Undersize, 14-10, 15-10	Blade, Rear, Squeegee, Urethane, 6-92
Bearing Kit, Connecting Rod, 1.00 mmundersize, 13-9	Blade, Rear, Squeegee, 6-91
Bearing Kit, Connecting Rod, Standard, 13-9, 14-10, 15-10	Blade, Rear, 6-4
Bearing Kit, Crankshaft, 0.25 mm undersize, 13-8	Blade, Squeegee, Urethane, 6-17, 6-19
Bearing Kit, Crankshaft, 0.50 mm undersize, 13-8	Blade, Squeegee, 6-3, 6-17, 6-19, 10-30
Bearing Kit, Crankshaft, 0.75 mm undersize, 13-8	Block, Filler, Front, 12-3
Bearing Kit, Crankshaft, 1.00 mm undersize, 13-8	Block, Filler, Rear, 12-3
Bearing Kit, Crankshaft, Standard, 13-8	Board, P.C., 10-25
Bearing Kit, Main, 0.002" Undersize, 12-7	Board, Terminal, 6-80
Bearing Kit, Main, 0.010" Undersize, 12-7	Body and Gear Kit, Front, 11-22
Bearing Kit, Main, 0.020" Undersize, 12-7	Body and Gear Kit, Rear, 11-22
Bearing Kit, Main, 0.030" Undersize, 12-7	Body, Oil Filler Crankcase, 12-3
Bearing Kit, Main, 0.040" Undersize, 12-7	Bolt Cl, 11-17, 11-19
Bearing Kit, Main, 0.25 mm Undersize, 14-9, 15-9	Bolt, Carriage, 9-7
Bearing Kit, Main, 0.50 mm Undersize, 14-9, 15-9	Bolt, Connecting Rod, 12-7, 13-9, 14-10, 15-10
Bearing Kit, Main, 0.75 mm Undersize, 14-9, 15-9	Bolt, Eye, 6-75, 6-77, 6-79, 6-91
Bearing Kit, Main, 1.00 mm Undersize, 14-9, 15-9	Bolt, Hold Down, 6-42, 8-4
Bearing Kit, Main, Standard, 12-7, 14-9, 15-9	Bolt, Place, Bearing Cap to Crankcase, Center, 12-7
Bearing, Ball, 6-35, 6-77, 6-79, 8-3, 11-3	Bolt, Place, Bearing Cap to Crankcase, Front–Rear, 12-7
Bearing, Crankshaft Pilot, 12-7	Bolt, 6-15, 11-17, 11-19, 11-21
Bearing, Fiberglide, 6-90, 6-91	Boot, Battery, 8-4
Bearing, Flange, 6-29, 6-61, 6-63, 6-65, 6-91	Boot, Electric, 6-35
Bearing, Liner, 6-83	Boot, 8-3
Bearing, Needle, 11-25, 11-26	Brace, Engine Compartment, 6-9
Bearing, Pillow Block, 6-90	Brace, Oil Gauge Support (Not Shown), 12-3
Bearing, Rocker Shaft, 13-11	Brace, Rear Panel, 8-8
Bearing, Self–Aligning, 6-83, 11-30	Brace, Rear Shroud, 6-38, 6-39
Bearing, Sleeve, 6-11	Bracket Mounting Assembly, Fan, 6-79
Bearing, Thrust, 6-17, 6-19, 6-65, 6-83, 11-9	Bracket Replacement Kit, Mounting, 6-36
Bearing, 6-11, 6-13, 6-20, 6-21, 6-22, 6-23, 6-75, 6-79, 6-83, 11-9, 11-11, 11-13, 11-23, 11-24	Bracket, Adaptor, Storage, 10-21
Bell Crank, 11-15	Bracket, Alternator, 12-12, 13-16, 14-17, 15-17
Bellcrank, Throttle, 6-31	Bracket, Angle, 6-79
Bellcrank, Upper, 6-33	Bracket, Battery, L, 6-42
Bellcrank, 6-15, 6-33, 6-63, 9-7	Bracket, Battery, 6-42, 8-4
Belt, Alternator and Water Pump Drive, 12-7	Bracket, Bearing Mount, 6-23
Blade Set, Replacement, 10-13	Bracket, Bearing, L.H., 6-20
Blade, Front, Squeegee, Urethane, 6-92	Bracket, Bearing, R.H., 6-21
	Bracket, Bearing, 6-22
	Bracket, Bellcrank, 6-31, 6-33
	Bracket, Brake Cable, 6-28

CROSS REFERENCE

Bracket, Brake, 6-27
Bracket, Bridge, 6-17, 6-19
Bracket, Cable & Alarm, 6-65
Bracket, Cable, 6-65
Bracket, Caster, 6-91
Bracket, Coil, 13-19
Bracket, Control Valves, 6-54
Bracket, Door Hinge, 6-87
Bracket, Engine Mounting, 6-31, 6-34, 8-3
Bracket, Exhaust Mounting, 6-36
Bracket, Exhaust Support, 6-36
Bracket, Fan, 6-77
Bracket, Filter Mount, 9-5
Bracket, Filters Mounting, 6-58, 6-59
Bracket, Flasher, 10-6, 10-23
Bracket, Fuel Pump, 14-5
Bracket, Hinge, L.H., 9-15
Bracket, Hinge, R.H., 9-15
Bracket, Hose Mounting, L.H., 10-13
Bracket, Hose Mounting, R.H., 10-13
Bracket, Hose, 6-9
Bracket, Idler Mounting, 6-75
Bracket, L, 10-4
Bracket, LPG Tank Mounting, Replaced by none, 10-9
Bracket, LPG Tank Mounting, 10-10, 10-11
Bracket, LPG Tank, 7-3
Bracket, Main, 6-65
Bracket, Mount, 7-3
Bracket, Mounting Engine, 6-34, 6-35
Bracket, Mounting, 6-20, 6-77, 6-79, 6-88, 6-89, 6-91
Bracket, Mtg, Bearing, 6-65
Bracket, Oil Cooler Mounting, 6-31
Bracket, Oil Drain, 6-31
Bracket, Oil Filter, 12-10
Bracket, Pump Cover, 9-11
Bracket, Pump, 9-13
Bracket, Radiator, 6-37
Bracket, Resistor, 13-19
Bracket, Stop, 6-65
Bracket, Switch Mounting, 6-91
Bracket, Switch, 6-91, 9-7
Bracket, Taillight, 10-2, 10-22
Bracket, Throttle Linkage, 6-33
Bracket, Throttle, 6-30, 6-33, 6-34, 8-3
Bracket, Tow Bypass, 6-9, 6-89
Bracket, U, 10-13, 10-21
Bracket, Water Valve Mounting, 6-15
Bracket, Wire, 8-4
Bracket, 9-7
Brake Assembly, Hydraulic, 6-29
Brake, Mechanical, 6-28
Breather, Filler, 6-53
Brush Assembly, 6-35, 8-3
Brush, Abrasive Bristle, 6-5
Brush, Polypropylene, 6-5
Brush, 6-3, 6-17, 6-19
Bulb, 10-2, 10-6, 10-7, 10-8, 10-22, 10-23, 10-24
Bumper Kit, Heavy Duty, 10-4, 10-19
Bumper Rear, L.H., 6-89
Bumper Rear, R.H., 6-89
Bumper, Left Side, Tractor, 10-4
Bumper, Rear, L.H., 6-88
Bumper, Rear, R.H., 6-88
Bumper, Recovery and Solution Tank, L.H., 10-19
Bumper, Recovery and Solution Tank, R.H., 10-19
Bumper, Recovery and Solution Tank, 10-4
Bumper, Right Side, Tractor, 10-4
Bumper, Rubber, 6-9
Bumper, Scrubber Head, 10-4, 10-19
Bumper, Tractor, Left Side, 10-19
Bumper, Tractor, Right Side, 10-19
Bushing, Bronze, 6-77
Bushing, Camshaft, Kit, 12-4
Bushing, Oil Pump Drive Shaft (In Crankcase), 12-8
Bushing, Piston Pin, 12-7, 13-9, 14-10, 15-10
Bushing, Reducing, 12-10
Bushing, Seal, 11-25, 11-26
Bushing, Sending Unit, 6-31
Bushing, Spanner, 6-91
Bushing, 6-35, 8-4, 11-11, 11-13
Button, Horn, 6-25

C

- Cable Assembly, Brake, Separate Spring, 6-28
- Cable Assembly, Push–Pull, 6-34
- Cable, Choke, 6-31, 6-34
- Cable, Control, 9-7
- Cable, Grounding, 6-31, 6-35
- Cable, Negative Battery, 6-42, 8-3
- Cable, Positive Battery, 6-42, 8-3
- Cable, Push–Pull, 6-65
- Cable, Solution Control, 6-15
- Camplate S/A, 11-11
- Camshaft, 12-4, 13-7, 14-8, 15-8
- Cap And Filler Block, Rear Bearing, 14-3, 15-3
- Cap and Filler Block, Rear Bearing, 13-3
- Cap and Gasket, 13-18
- Cap Screw, 11-11, 11-25, 11-26
- Cap, Contact, 6-25
- Cap, Crankshaft Bearing, Center, 12-7
- Cap, Crankshaft Bearing, Front, 12-7, 14-3, 15-3
- Cap, Crankshaft Bearing, Rear, 12-7
- Cap, Crankshaft Bearing, 13-3, 14-3, 15-3
- Cap, Crankshaft, 13-3
- Cap, End, 11-26
- Cap, Engine Oil Drain, 6-31
- Cap, Filler, 9-14, 9-15, 9-17
- Cap, Fuel Tank, 6-41
- Cap, Gasket, 13-18
- Cap, Gasoline, Protectoseal, 10-26
- Cap, Hub Dust, 6-81
- Cap, Oil Filler, 11-3, 12-3, 13-16, 14-17, 15-17
- Cap, Radiator, 6-37
- Cap, 12-10, 13-18
- Carburator Repair Kit, 13-16
- Carburetor and Gasket, Gasoline, 13-16
- Carburetor and Gasket, LPG, 13-16
- Carburetor, Gasoline, 12-11, 13-16
- Carburetor, LPG, 12-11, 13-16
- Cartridge Kit, Cover End, 11-8
- Cartridge Kit, 11-8
- Caster Kit, 6-91
- Caster, 6-91
- Catch, Rubber Hook, 10-21
- Catch, 10-13
- Chain and Hook Assembly, 6-17
- Chain Assembly, 10-15
- Chain, Assembly, Door, 6-19
- Chain, Drain Plug, 9-13
- Chain, Drain plug, 9-11
- Chain, Static Drag, 6-9
- Chain, 6-7, 6-17, 6-19
- Channel, Bearing Cover, 6-20, 6-21
- Charge Pmp Adap, 11-13
- Charge Relief Kit, 11-8
- Check Valve, 11-29
- Clamp, Fuel Filter, 15-5
- Clamp, Cable, 6-15, 6-29, 6-41, 6-42, 6-63, 6-87, 8-6, 10-2, 10-8
- Clamp, Coil, (replaced by 38992), 13-19
- Clamp, Conduit, 10-2, 10-7, 10-24
- Clamp, Distributor, 12-10, 13-19
- Clamp, Fuel Pump, 15-5
- Clamp, Fuel Tank, 6-41
- Clamp, Hose Support, 6-35
- Clamp, Hose, 6-9, 6-15, 12-9, 13-17, 14-17, 14-18, 15-17, 15-18
- Clamp, Injection Line, 14-5
- Clamp, Leak–Off Line, 14-5
- Clamp, Mounting, 6-38, 6-39
- Clamp, Muffler, 6-36
- Clamp, Squeegee Band, 6-91
- Clamp, Toggle, 9-11, 9-13, 10-13, 10-21
- Clamp, Worm Drive, 6-4, 6-11, 6-15, 6-21, 6-22, 6-31, 6-37, 6-38, 6-39, 6-41, 6-85, 6-87, 7-3, 7-5, 8-4, 8-6, 8-7, 8-8, 9-3, 9-5, 9-7, 9-11, 9-13, 9-14, 9-15, 9-17, 10-15, 10-21, 10-27
- Clamp, Wormdrive, 6-77, 6-79
- Clamp, 6-9, 6-31, 9-5, 13-16
- Clevis and Pin, 6-15, 9-7
- Clevis, Adjustable, 6-29, 8-3
- Clevis, Brake Cable, 6-28
- Clip, Drain Hose Retainer, 6-85, 9-11, 9-13
- Clip, Finger Grip, 10-21
- Clip, Handle, Retaining, 10-13
- Clip, Rod End, 8-3, 13-16
- Clip, 13-18, 13-19
- Cock, Drain, 6-37, 13-3

CROSS REFERENCE

- Cock, Water Drain, 14-3, 15-3
Coil Assembly, Ignition (replaced by 79092), 13-19
Coil Assembly, Ignition, (replaced by 38992), 13-19
Coil Replacement Kit, 13-19
Coil, Ignition, 12-10
Coil, 11-27, 13-19
Collor, Locking, 6-65
Column, Steering, 6-25
Condenser, 6-3, 12-10
Connector Kit, Tubing, 11-7
Connector, Alternator Wire, 12-12
Connector, Handle, Spray, 10-15
Connector, Oil Cooler, 13-17, 14-18, 15-18
Connector, Water Pump, 12-11
Connector, 6-31, 6-41, 10-25, 11-5, 11-6, 13-16
Console, Instrument, 6-80, 9-9
Contact Point Set, 12-10
Control Assembly, Throttle, 6-30, 6-33, 6-34
Control Harness, 8-5
Control Panel Assembly, 9-9
Control Unit Kit, 8-5
Control Unit, Glow Plug, 8-5
Control, Manual (See Breakdown), 11-11
Control, Manual, 11-15
Control, Steering (See Breakdowns), 6-25
Cooler, Engine Oil, 6-31
Cooler, Hydraulic, 6-37
Cooler, Oil, 13-17, 14-18, 15-18
Coupler, 11-13
Coupling Assembly, Drive, 6-35
Coupling Assembly, 6-31
Coupling, Air Cleaner Tube, 6-39, 7-5
Coupling, Keyed, L.H., 10-15
Coupling, Keyed, R.H., 10-15
Coupling, LPG Tank, 7-3
Coupling, 11-8
Cover Assembly, Gear, 13-11, 15-12
Cover Assembly, Recovery Tank Cleanout, 6-87
Cover Cap, 11-25
Cover, Cylinder Head, 13-5, 14-7, 15-7
Cover, Dust, 13-18
Cover, Fuel Pump Hole (LPG Only), 12-9
Cover, Fuel Pump Hole, LPG, 13-19
Cover, Fuel Pump, 14-5, 15-5
Cover, Gear, 12-5, 14-12
Cover, Governor, 6-9
Cover, Grease Fitting, 6-21, 6-22
Cover, Grease, 6-77, 6-79
Cover, Headlock, 6-13
Cover, Horn Button, 6-25
Cover, Liquid Level Probe, 10-25
Cover, Pump, 9-3, 9-5
Cover, Sandblast, 9-11, 9-13
Cover, Terminal, 8-4
Cover, Timing Hole, 12-3, 15-13
Cover, Valve Chamber, 12-3
Cover, 10-16
Cradle Sub Assy, 11-11
Crank Replacement Kit, 11-7
Crankshaft, 12-7, 13-8, 14-9, 15-9
Cup Kit, Short, 11-3
Cup, Contact, 6-25
Cylinder and Crankcase Assembly, Includes: Cylinder Block, Connecting Rods, Camshaft Bushings, Front End Plate, Bearing Caps, Thrust Plate, Valve Train, Cam Gear, Tappets, Crankshaft Gear, Camshaft, Oil Gauge Rod Main and Rod Bearings, Crankshaft Support, Pistons, Piston Pins, Piston Rings, Oil Rod, Gauge Hole Cover—Fuel Pump, Service Gasket Set, Oil Guard—Rear Bearing, 12-3
Cylinder, Hydraulic (See Breakdowns), 6-83
Cylinder, Hydraulic, 6-13, 6-92, 11-30

D

- Damper, Engine Mounting, 6-31
Dampner, Engine, 6-35, 8-4
Data Plate, LPG, 7-4
Decal, Control Panel, 9-9
Decal, Danger, Keep Out, 9-11
Decal, Diesel Fuel Only, 8-6
Decal, Fan Suction, 9-11
Decal, Fill Tank, 9-15
Decal, Jack Only On Pad, 9-11
Decal, SRSr Cleaning Solution, 9-15
Decal, SRSr, 9-11
Decal, Throttle High Pressure Spray, 10-16

Decal, Warning, Lock Scrubber Head, 9-7
 Deflector Assembly, Brush, L.H., 6-19
 Deflector Assembly, Brush, 6-17
 Deflector Assembly, Scrub Brush, 6-11
 Deflector, Scrub Brush, 6-11
 Deflector, Spray, Rubber, 9-15, 9-17
 Deflector, 6-21
 Detent Kit, 11-28
 Diode and Rectifier Assembly, 6-35, 8-3
 Diode Assembly, LPG, 7-3
 Disk, Brake, 6-27
 Distributor Assembly, (replaced by 09892), 13-18
 Distributor Assembly, 13-18
 Distributor, 12-10
 Door Assembly, Cleanout, R.H., 9-11
 Door Assembly, Cleanout, 6-85, 9-11, 9-15
 Door Assembly, Rear Cleanout, 9-15
 Door Assembly, Solution Filling, 9-15
 Door, Access, Side, L.H., 6-8
 Door, Cleaning Solution, 9-15
 Door, Cleanout, 6-85, 6-87, 9-11, 9-15
 Door, Engine Cover, 6-8, 7-4
 Door, Hydraulic Tank, Top Access, 6-8
 Door, Lower, 9-17
 Door, Rear Side Access, 6-9
 Door, Solution, 6-87
 Door, Squeegee, L.H., 6-19
 Door, Squeegee, 6-17
 Door, Upper, 9-17
 Door, 6-85, 6-87, 9-13
 Dowel Bushing, 11-11
 Dowel Pin, 11-15
 Dowel, Bearing Cap to Crankcase, Center and Rear, 12-7
 Dowel, Bearing Cap to Crankcase, Front, 12-7
 Dowel, Bearing Cap, Front and Rear, 14-3, 15-3
 Dowel, Bearing Cap, 13-3
 Dowel, Fly Housing to Crankcase, 12-3
 Dowel, Ring, Front End Plate to Crankcase, Upper Right, 12-3
 Dowel, Ring, Gear Cover and Front End Plate to Crankcase, 12-3
 Dowel, Ring, 13-12, 14-13, 15-13

Drain Cock, 12-10
 Drain Kit, Plug, 9-11
 Drain Kit, Solution Tank, 10-27
 Drive, 11-17, 11-19, 11-21, 11-23, 11-24, 11-25, 11-26

E

Elbow And Vaporizer Kit, 12-11
 Elbow, #3 Inlet, 14-5
 Elbow, 90°, 8-8
 Elbow, Air Cleaner, 6-39
 Elbow, Bypass, 12-10
 Elbow, Carburetor, Gasoline, 12-11
 Elbow, Carburetor, LPG, 12-11
 Elbow, Carburetor, 6-38, 6-39, 12-11
 Elbow, Crankcase Oil Inlet, 12-10
 Elbow, Crankcase Oil Outlet at Bushing, 12-10
 Elbow, Fuel Injection Pump, 15-5
 Elbow, Fuel Pump Tube, 12-9
 Elbow, Intake Manifold (Replaced by None), 14-17, 15-17
 Elbow, Oil Drain, 6-31
 Elbow, Oil Filter Inlet and Outlet, 12-10
 Elbow, Restrictor, Intake Manifold, 12-9
 Elbow, Solution Level, 6-85
 Elbow, Vaporizer Outlet, 12-11
 Elbow, Water Header, 13-17, 14-18, 15-18
 Elbow, Water Outlet, LPG, 12-11
 Elbow, Water Outlet, 12-10, 13-15, 14-16, 15-16
 Elbow, Water Pump, 12-11, 13-17, 14-18, 15-18
 Elbow, 6-15, 6-29, 6-31, 6-41, 8-8, 13-19
 Element Assembly, Air Cleaner, 6-3
 Element, Air Cleaner, 6-3, 8-8
 Element, Air Filter, 6-38, 6-39
 Element, Filter Screen, 10-15
 Element, Filter, 6-58, 6-59
 Element, Fuel Filter, 6-3, 14-5, 15-5
 Element, Hydraulic Filter, 6-3
 Element, Oil Filter (For Engine 16850), 14-18
 Element, Oil Filter (For Engine 34910), 14-18
 Element, Oil Filter, 6-3, 13-17, 15-18
 Engine, (Replaced by 16850) (See Engine Parts Diesel), 8-3
 Engine, (Replaced by 31937) (See Engine Parts

CROSS REFERENCE

Diesel), 8-3
Engine, (Replaced by 61697) (See Engine Parts Diesel), 8-3
Engine, (Replaced by 65951) (See Engine Parts Diesel), 8-4
Engine, Diesel, TM27, (See 65951 Engine Parts Diesel), 8-4
Engine, F163 (Replaced by 60539) (See F163 Engine Parts, Gasoline, LPG), 7-3
Engine, Gasoline, F163 (Replaced by 60534) (See F163 Engine Parts, Gasoline, LPG), 6-31
Engine, Gasoline, TM27 (Replaced by 61696) (See TM27 Engine Parts, Gasoline, LPG), 6-35
Engine, Gasoline, TM27 (Replaced by 65947) (See TM27 Engine Parts, Gasoline, LPG), 6-35
Engine, Gasoline, TM27 (See TM27 Engine Parts, Gasoline, LPG), 6-35
Engine, Gasoline, TM27, (Replaced by 31935) (See TM27 Engine Parts, Gasoline, LPG), 6-33
Engine, TM27, (Replaced by 31936) (See TM27 Engine Parts, Gasoline, LPG), 7-3
Engine, TM27, (Replaced by 61695) (See TM27 Engine Parts, Gasoline, LPG), 7-3
Engine, TM27, (See TM27 Engine Parts, Gasoline, LPG), 7-3
Extension Kit, Side Squeegees, 10-30
Extinguisher Kit, Fire, 10-26
Extinguisher, Fire, 10-26
Eye, Lifting, 13-5, 14-7, 15-7
Eyebolt, 6-42

F

Fan Assembly, Vacuum (Replaced by 61702), 6-77
Fan Assembly, Vacuum, 6-78
Fan, Alternator, 8-3, 12-12
Fan, 6-37
Fastener, Nut, 6-4, 6-85, 6-87, 9-11, 9-15
Fastener, Thumbscrew, 6-4, 6-85, 6-87, 9-11, 9-15
Fastener, Washer, 6-4, 6-85, 6-87, 9-11, 9-15
Ferrule, Insulation, 6-25
Filter Assembly, Hydraulic, 6-58, 6-59
Filter Assembly, Laminar Flow, L.H., 9-15, 9-17
Filter Assembly, Laminar Flow, R.H., 9-15, 9-17
Filter, Foam, Soap Basket, 6-87
Filter, Fuel And Water Separator, 14-5
Filter, Fuel, Gasoline, 13-16
Filter, Laminar Flow, 9-15, 9-17
Filter, Oil, 6-3, 12-10
Filter, Solution Outlet, 9-15, 9-17
Filter, Replacement Kit, 9-5
Filter, 10-15
Fitting, Tee, 10-15
Fitting, Banjo, 14-5
Fitting, Barbed Elbow, 10-15
Fitting, Bulkhead, 7-3
Fitting, Cap, 6-35, 10-25
Fitting, Connector, 8-6
Fitting, Coupling, 9-7
Fitting, Elbow, 45°, 6-13, 6-53, 6-54, 6-55, 6-56, 7-3, 9-7
Fitting, Elbow, 6-13, 6-20, 6-23, 6-25, 6-35, 6-37, 6-41, 6-52, 6-53, 6-54, 6-55, 6-56, 6-57, 6-58, 6-59, 6-60, 6-83, 6-92, 7-3, 8-3, 9-3, 9-5, 9-7, 10-5, 10-15, 10-16
Fitting, Grease, 45°, 6-13
Fitting, Grease, 6-13, 6-21, 6-22, 6-77, 6-79, 6-83, 11-30
Fitting, Nipple, 2.5" (65 mm) L, 9-7
Fitting, Nipple, 3.0" (75 mm) L, 9-7
Fitting, Nipple, 7-3, 9-7, 10-15
Fitting, Plug, 6-53, 6-60, 6-85
Fitting, Restrictor, 6-54
Fitting, Straight, Brass, 6-35
Fitting, Straight, 6-20, 6-23, 6-25, 6-35, 6-37, 6-41, 6-52, 6-53, 6-54, 6-55, 6-56, 6-57, 6-58, 6-60, 6-92, 8-3, 8-6, 9-3, 9-5, 9-7, 10-5, 10-15, 10-16
Fitting, Tee, 6-52, 6-53, 6-54, 6-56, 6-57, 6-58, 6-59, 6-60, 7-3, 9-5, 9-7, 10-5, 10-15, 10-16
Flange, Bearing, 6-20, 6-21, 6-22, 6-23
Flange, Mounting, 11-23, 11-24
Flange, Split, 6-53, 6-55
Flange, Top Float, 6-85
Flap, Containment, 6-3, 6-17, 6-19
Flap, Rubber, 6-4, 6-87
Flasher, 10-6, 10-23
Flywheel (For Engine 16850), 14-13
Flywheel (For Engine 34910), 14-13
Flywheel, 12-7, 13-12, 15-13
Foam, Acoustic, 6-79
Follower, Piston, 11-11
Frame Kit, Squeegee, 6-91

Frame, Main Tractor, 6-8
 Frame, Muffler, 6-79
 Frame, Rear Squeegee, 6-91
 Frame, Rear, 6-91
 Frame, Scrub Head, SRSr, 9-3
 Frame, Scrubber Head, 6-17, 9-7
 Frame, Side Squeegee, L.H., 6-19, 10-30
 Frame, Side Squeegee, R.H., 6-17, 10-30
 Frame, Spray Deflector, 9-15, 9-17
 Fuel Filter Lock, 7-3
 Fuel Line Replacement Kit, 6-41
 Fuse, 1 A, 10-25, 10-29
 Fuse, 10 A, 9-9
 Fuse, 15 A, 6-80
 Fuse, 20 A, 6-80, 10-22
 Fuse, 80 A, 8-5
 Fuse, 10-2

G

Gasket Set, Front, 13-11, 14-12, 15-12
 Gasket Set, Manifold, 13-13, 14-14, 15-14
 Gasket Set, Top (For Engine 16850), 14-7
 Gasket Set, Top (For Engine 34910), 14-7
 Gasket Set, Top, 15-7
 Gasket Set, 13-5
 Gasket, Air Outlet, 6-4
 Gasket, Carburetor Air Horn, 6-39
 Gasket, Carburetor, 12-11, 13-16
 Gasket, Cleaning Solution Tank, 9-15, 9-17
 Gasket, Copper, Oil Pressure Relief Valve, 12-3
 Gasket, Copper, Valve Chamber Cover to Crankcase, 12-3
 Gasket, Cover, 9-11, 9-13, 14-7, 15-7
 Gasket, Cylinder Head (For Engine 16850), 14-7
 Gasket, Cylinder Head (For Engine 34910), 14-7
 Gasket, Cylinder Head, 12-3, 13-5, 15-7
 Gasket, Debris Screen, 9-11, 9-13
 Gasket, Distributor to Cylinder Head, 12-10
 Gasket, Distributor, 13-19
 Gasket, Door, 6-4, 6-85, 6-87, 9-11, 9-13, 9-15
 Gasket, Elbow, 13-15, 14-16, 15-16
 Gasket, Fan, 6-79
 Gasket, Filler Block, Front, 12-3
 Gasket, Filler Block, Rear, 12-3
 Gasket, Front End Plate, 12-5
 Gasket, Front Suction Tube, 6-4
 Gasket, Fuel Pump, 12-9, 13-19, 14-5, 15-5
 Gasket, Gear Cover, 12-5, 13-11, 14-12, 15-12
 Gasket, Governor to Cover, 12-9
 Gasket, Head Cover, 13-5
 Gasket, Header, 13-15, 14-16, 15-16
 Gasket, Injection Pump, 14-5, 15-5
 Gasket, Intake, 8-3
 Gasket, Lower Door, 9-17
 Gasket, Manifold, Exhaust, 14-14, 15-14
 Gasket, Manifold, 12-11, 13-13, 14-14, 15-14
 Gasket, Oil Pan, Form-In-Place, 14-3, 15-3
 Gasket, Oil Pan, Form-in-Place, 13-3
 Gasket, Oil Pan, 12-3
 Gasket, Rear Bearing Cap, 13-3
 Gasket, Rear Bearing Cup, 14-3, 15-3
 Gasket, Rear Suction Tube, 6-4, 6-87
 Gasket, Sandblast Cover, 6-4
 Gasket, Solution Door, 6-4, 6-87
 Gasket, Suction Tube, Front, 9-11, 9-13
 Gasket, Tail Pipe, 6-36, 8-3
 Gasket, Taillight, 10-22
 Gasket, Tank Adaptor, 10-21
 Gasket, Thermostat, 12-11
 Gasket, Upper Door, 9-17
 Gasket, Valve Chamber Cover, 12-3
 Gasket, Wand Adaptor, 10-21
 Gasket, Water Outlet Elbow, 12-3
 Gasket, Water Outlet, 12-10, 12-11
 Gasket, Water Pump to Crankcase, 13-14, 14-15, 15-15
 Gasket, Water Pump, 12-9
 Gasket, 6-4, 6-41, 10-16
 Gauge, Fuel Level, 6-80
 Gauge, Oil Pressure, 6-80
 Gauge, Pressure, 10-15
 Gauge, Water Temperature, 6-80
 Gear Kit, 13-18
 Gear, Camshaft, 12-4, 13-7, 14-8, 15-8
 Gear, Crankshaft, 12-7, 13-8, 14-9, 15-9

CROSS REFERENCE

Gear, Governor, 12-9
Gear, Injection Pump Driver, 14-8, 15-8
Gear, Injection Pump, 14-5, 15-5
Gear, Ring, 12-7
Geroler, 11-17, 11-19, 11-21
Geroter, Ring In, 11-13
Geroter, Ring Ot, 11-13
Geroter, 11-25, 11-26
Gerotor, 11-23, 11-24
Governor Assembly, 13-7
Governor, 12-9
Grease, Special, 6-3
Grip, Handle, 10-17
Grommet, 0.38" (10 mm) I.D., 6-9
Grommet, Rubber, 10-2, 10-8, 10-22
Grommet, 6-19, 6-52, 10-7, 10-24
Guard Kit, Overhead, 10-3
Guard, Alternator, 6-33, 8-4
Guard, Coupling, 10-15
Guard, Flow Switch, 6-52
Guard, L.H., 6-88, 6-89
Guard, R.H., 6-88, 6-89
Guard, Rear Bearing, Oil, 12-3
Guard, Splash, 6-17, 6-19
Guard, Squeegee, 6-88, 6-89
Guard, Top, 10-3
Guard, Valve Stem Oil, 13-5, 14-7, 15-7
Guide, Spring, 6-90
Guide, Valve Stem, Intake and Exhaust, 12-4
Guide, Valve Stem, 13-5, 14-7, 15-7

H

Handle Assembly, Complete, 11-27
Handle, Nozzle, 10-21
Handle, Sludge Removal, 10-17
Handle, Spray, 10-15
Handle, Squeegee Wand, 10-13
Harness, Rectifier, 8-3
Harness, Wiring, Alternator, 12-12
Head Assembly, Cylinder, 13-5
Head, Cylinder, 12-3, 14-7, 15-7
Header, Water Outlet, 13-15, 14-16, 15-16

Headlight Assembly, 10-2, 10-22
Hi Alt Vaporizer Spring, 7-3
Hinge, Seat, 6-7
Holder, Fuse, (Panel Mount), 10-29
Holder, Fuse, 6-80, 8-5, 9-9, 10-2, 10-22, 10-25
Hook, Chain, 6-17
Hook, Rubber, 10-13, 10-21
Hook, S, 6-7
Hook, 6-19, 9-11, 9-13
Hopper Assembly, 6-11
Hopper, Debris, 6-11
Horn Button Assembly, 6-25
Horn, 12 Volt, 6-9
Hose Assembly, 6-4, 6-77, 6-79
Hose Kit, Interconnection, 6-85, 9-11
Hose Kit, Vacuum, SRSr, 6-4
Hose Vacuum, 9-11
Hose, Rear Squeegee Suction, 9-17
Hose, Cleaning Solution, 9-14, 9-17
Hose, Debris Trough Pickup, 9-11, 9-13
Hose, Debris, 6-85
Hose, Elbow to Filler Cap, 14-17, 15-17
Hose, Engine Oil Drain, 6-31
Hose, Fuel Line, 6-41, 8-6
Hose, Fuel, #1 Leak-off End, 14-5
Hose, Fuel, 14-5, 15-5
Hose, Hopper, 6-4, 6-11
Hose, Hydraulic, 6-47, 6-49, 6-51, 6-60, 10-5, 10-15, 10-16
Hose, Injection (For Engine 16850), 14-5
Hose, LPG, 7-3
Hose, Oil Cooler, 13-17, 14-18, 15-18
Hose, Oil Filter Outlet to Crankcase Inlet, 12-10
Hose, Oil Pressure Gauge, 6-31
Hose, Oil, 12-10
Hose, Outlet Elbow to Bypass, 12-10
Hose, Pump Inlet, 9-5
Hose, Pump Outlet, 9-5
Hose, Radiator, 6-37, 8-7
Hose, Rear Squeegee Suction, 6-87, 9-15
Hose, Recovery Tank Drain, 6-85, 9-11, 9-13
Hose, Rubber (Cut in 2), 10-16
Hose, Rubber, 6-38, 6-39, 7-3, 7-5, 9-3, 9-5, 9-7,

10-15, 10-16
 Hose, Solution Level, 6-85
 Hose, Solution, 6-15, 9-3
 Hose, Squeegee Wand, 10-13
 Hose, Squeegee, 6-4
 Hose, Tee to Filler Tube, 12-9
 Hose, Vacuum Fan, 6-85
 Hose, Vacuum, 9-13, 13-18
 Hose, Vaporizer to Carburetor, 12-11
 Hose, Vinyl, 9-3, 9-5
 Hose, Water Recirculating, 12-11
 Hose, Water, High Pressure, 10-15
 Hose, 6-31, 6-35, 10-21, 12-9, 13-16, 14-5
 Housing Assembly, Bearing, 6-83
 Housing Assembly, Front, 6-79
 Housing Assembly, Pump, 11-9
 Housing Assembly, Relief, 11-9
 Housing Assy., 11-21
 Housing S/A, 11-11
 Housing, Assy Cl, 11-17, 11-19
 Housing, Bearing, 6-77, 6-79
 Housing, Brg Cl, 11-17, 11-19
 Housing, Brg, 11-21
 Housing, Filter Mounting, 9-15, 9-17
 Housing, Flywheel, 12-3, 13-12, 14-13, 15-13
 Housing, Front, 6-77, 6-79
 Housing, Idler Shaft, 6-75
 Housing, Pivot, 6-83
 Housing, Probe, 10-25
 Housing, Rear, 6-77, 6-79
 Housing, Steering Column, 6-8
 Housing, Control, 11-15
 Housing, 11-4, 11-11
 Hub and Magnet Kit, 11-4
 Hub Assembly, 6-27, 6-81
 Hub, Brush Drive, 6-23
 Hub, Brush, 6-20, 6-21, 6-22
 Hydraulic Fluid, 5 Gal (18.9 L), 6-3

I

Idler Assembly, Front Scrub Brush, 6-21
 Idler Assembly, Rear Brush, 6-22

Idler, Assembly, 6-75
 Impeller Shaft and Bearing Kit, 11-4
 Impeller, 6-77, 6-79
 Indicator, Filter Service, 6-38, 6-39
 Inlet Section, 11-27
 Insert, Combustion Chamber, 14-7, 15-7
 Insert, Drive, 6-35
 Insert, Pump Coupling, 6-31
 Insert, Valve Seat, Exhaust (0.010" Oversize for Service), 12-4
 Instr. Repair Info, Motor, 11-21
 Insulation, Engine Access Door, 6-10
 Insulation, Engine Cover, 7-4
 Insulation, Front, Side Door, L.H., 6-10
 Insulation, Muffler, 6-77
 Insulation, Rear, Side Door, L.H., 6-10
 Insulation, Seat, 6-10
 Insulation, Side Door, R.H., 6-10
 Insulation, Tank Opening, 7-4
 Insulation, Top, Hydraulic Tank Door, 6-10
 Insulator, 10-2, 10-22
 Isolator, Vibration, 6-20, 6-23, 6-36, 6-53

K

Key, Cam Gear to Camshaft, 12-4
 Key, Crankshaft Gear, 12-7
 Key, Ignition Switch, 6-80
 Key, Square, 6-75, 6-77, 6-79, 11-32
 Key, Woodruff, 6-20, 6-23, 6-35, 8-3, 11-23, 11-24, 13-10, 14-11, 15-11
 Key, 11-3, 11-13, 11-17, 11-19, 11-21, 13-7, 13-8, 14-8, 14-9, 15-8, 15-9
 Knob, Adjusting, 6-20
 Knob, Brush Adjusting, 6-23
 Knob, Door Latch, 6-85, 6-87, 9-13, 9-17
 Knob, Valve, 10-16
 Knob, 6-11, 6-13, 6-15, 6-30, 6-33, 6-34, 6-54, 6-60, 9-7, 9-9

L

Label, Brush Pressure, 6-19
 Label, Brushes, 6-9
 Label, Caution, Reduce Travel, 6-8

CROSS REFERENCE

Label, Danger Keep Out, 9-13
Label, Danger, Fan Suction, 6-79, 6-85
Label, Danger, Keep Out Pinch, 6-9
Label, Danger, Keep Out, 6-85
Label, Engine Fan, 6-37
Label, Fan Suction, 9-13
Label, Fill Tank, 9-17
Label, Gasoline Only, 6-41
Label, Headlock, 6-13
Label, Important, 6-9
Label, Instruction, Pump Lever Model, 9-7
Label, Instruction, Pump Prime, 9-7
Label, Instrument Console, 6-80
Label, Jack At This Point, 6-9
Label, Jack Only On Pad, 6-85, 9-13
Label, Lubricating Instructions, 6-77, 6-79
Label, Maintenance Chart, 6-9
Label, Maintenance Note, 6-9
Label, Patent, Scrubber, 6-9
Label, SRSr Cleaning Solution, 9-17
Label, SRSr, 9-13
Label, Stripe, Front, 6-9
Label, Stripe, L.H., 6-85
Label, Stripe, R.H., 6-87
Label, Stripe, Side, 6-9
Label, Stripe, 6-9
Label, Switch, Squeegee Lift, 6-80
Label, TENNANT Logo, 6-85
Label, TENNANTr, 6-9
Label, Throttle and Solution Control, 8-4
Label, Throttle and Solution, 6-9
Label, Tire Pressure, 6-9
Label, Warning, Use Scrubber, 6-17
Label, Wing, L.H., 6-9
Label, Wing, R.H., 6-9
Lamp Assembly, Flashing, Amber, 10-6, 10-23
Lamp Assembly, Flashing, Blue, 10-6, 10-23
Lamp Assembly, Flashing, 10-6, 10-23
Lamp Assembly, Revolving, Amber, 10-8
Lamp Assembly, Revolving, Blue, 10-8
Lamp Assembly, Revolving, 10-8
Lamp, Flashing, 10-6, 10-23
Latch Assembly, LPG Tank, 7-3
Latch, Cam Lock Band, 6-17, 6-19
Latch, Cam Lock, 6-85
Latch, Door, 6-8, 6-17, 6-19
Latch, Hopper, 6-11
Latch, Tank, 10-10, 10-11
Latch, 10-9
Leg, Front, L.H., 10-3
Leg, Front, R.H., 10-3
Leg, Rear, L.H., 10-3
Leg, Rear, R.H., 10-3
Lens, Amber, 10-7, 10-24
Lens, Blue, 10-7, 10-24
Lens, Lamp, Amber, 10-6, 10-8, 10-23
Lens, Lamp, Blue, 10-6, 10-8, 10-23
Lens, Lamp, Red, 10-6, 10-8, 10-23
Lens, Red, 10-7, 10-24
Lever and Shaft Assembly, Governor, Gasoline, 13-11
Lever and Shaft Assembly, Governor, LPG, 13-11
Lever Assembly, Solution Control, 6-15, 9-7
Lever, Headlock, 6-13
Lever, Parking, 6-28
Lever, Pump Control, 6-61
Lever, Pump, 6-65
Lever, Throttle, 6-30, 6-33, 6-34
Lift, Scrubber Head, 6-13
Light Assembly, Revolving Amber, 10-7, 10-24
Light Assembly, Revolving Blue, 10-7, 10-24
Light Assembly, Revolving Red, 10-7, 10-24
Light Kit, Flashing, 10-6, 10-23
Light Kit, Hd-TI/550, 10-2, 10-22
Light Kit, Level Warning, 10-25
Light Kit, Recovery Level Warning, 10-29
Light Kit, Revolving, 10-8
Light Kit, SRSr, 10-22
Light Kit, 10-2
Light, Panel, 10-2, 10-22
Light, Pilot, 8-5, 10-5, 10-29
Link, Brush Lift, 6-20, 6-23
Link, Chain, 10-15
Link, Control, 6-61, 6-63
Link, Direct Control, 6-65

Link, Directional Control, 6-61, 6-63, 6-65
 Link, Engine Cover Support, 6-9
 Link, Feedback, 11-15
 Link, Hook, 6-54
 Link, Rear Drag, 6-91
 Link, 6-91
 Linkage Kit, Handle, 11-27
 Lip, Hopper, 6-11
 Locator, Tank, 10-10, 10-11
 Locator, 10-9
 Lock, Knob Adjusting, 6-23
 Lock, Knob, Adjusting, 6-20
 Lock, Valve Spring Retainer, Intake and Exhaust, 12-4
 Lock, Valve Spring Retainer, 13-5, 14-7, 15-7
 Lockwasher, 11-11
 Long Block Assembly, S, Includes: R Short Block Assembly Plus – Head, Guides, Valves and Associated Parts, Rocker Arm Shaft Assembly, Pushrods, Head Cover, Gear Cover, Oil Pan, Oil Filler Cap, and Gasket Set, 13-3
 Lug, 10-9, 10-10, 10-11

M

Magnet, 13-18
 Manifold, Discharge, 11-3
 Manifold, Exhaust, 13-13, 14-14, 15-14
 Manifold, Intake and Exhaust, 12-11
 Manifold, Intake, 13-13, 14-14, 15-14
 Manual Fiche, 550, 10-31
 Manual Pkg, 550, 10-31
 Manual, Engine, Continental, TM27–D, 10-31
 Master Cylinder, Brake, 6-29
 Mat, Floor, 6-9
 Meter, Hour, 6-80
 Mirror Kit, Rear View, 10-28
 Mirror, Rear View, 10-28
 Module, 13-18
 Molding, Rigid, 17.75" (450 mm) L, 6-9
 Molding, Rigid, 3.0" (76 mm), 6-9
 Molding, Rigid, 6-9, 7-3, 8-4, 9-3, 9-5
 Molding, Trim, 3" (75 mm), 10-25
 Molding, Trim, 7.5" (190 mm), 10-25
 Motor, Gear, 11-7

Motor, Hyd Gear In 19.0, 11-17, 11-19
 Motor, Hyd Gear, 11-21
 Motor, Hydraulic (Replaced by 61489) (See Breakdowns), 6-20, 6-23
 Motor, Hydraulic (See Breakdowns) (Replaced by 378710), 6-52
 Motor, Hydraulic (See Breakdowns), 6-20, 6-23, 6-52
 Motor, Hydraulic, 10-15, 11-23, 11-24, 11-32
 Mount Kit, Caster, 6-91
 Mount, Bellcrank, 6-31
 Mount, Cable Tie, 9-5
 Mount, Caster, 6-91
 Mount, Engine, R.H., 8-4
 Mount, Fan, 6-79
 Mount, LPG Tank, 10-9, 10-10, 10-11
 Mount, Pump, Water, 10-15
 Mount, Squeegee Nozzle, 10-13
 Mount, Squeegee, 10-21
 Mount, Strap, 7-3
 Mount, Valve, Hydraulic, 10-16
 Mount, Wand Hose, L.H., 10-21
 Mount, Wand Hose, R.H., 10-21
 Muffler Assembly, 6-79
 Muffler, Spark Arresting, 10-28
 Muffler, 6-36

N

Nipple, Water Outlet Elbow, 12-10
 Nozzle and Tip Assembly, 14-5, 15-5
 Nozzle Assembly, Squeegee, 10-13
 Nozzle, Hopper, 6-11
 Nozzle, Spray, 10-15
 Nozzle, Suction, 9-7
 Nozzle, 9-7, 10-21
 Nut, Adjustable, 7-3
 Nut, Adjustment, 6-28
 Nut, Ball Joint, 12-9
 Nut, Cam Gear to Camshaft, 12-4
 Nut, Connecting Rod Bolt, 12-7
 Nut, Governor Arm to Rod, 12-9
 Nut, Jam, 11-11
 Nut, Lock, 6-83
 Nut, Locking, 6-85, 6-87, 9-13, 9-17

CROSS REFERENCE

Nut, Low Crown, 6-77, 6-79
Nut, M10, 8-3
Nut, Nex, Thin, 6-63, 6-65
Nut, Nylon, 6-13, 6-83
Nut, Slotted Hex, 6-83
Nut, Slotted, 6-13, 6-81, 11-23, 11-24
Nut, Solenoid, 11-27
Nut, Stainless Steel, 9-13
Nut, Stainless Steel, 6-85, 6-87, 9-17
Nut, Tube Assembly, 15-5
Nut, Water Outlet Elbow, 12-10
Nut, Water Trap, 8-6
Nut, Wheel, 6-26, 6-81
Nut, Wing, 6-39, 6-42, 8-4
Nut, 6-13, 6-15, 6-25, 6-75, 6-90, 6-91, 11-11, 11-17, 11-19, 11-21, 13-7, 14-8, 15-8

O

O-Ring, Injection Pump, 15-5
O-Ring, 6-83, 13-5, 13-10, 14-5, 14-7, 14-11, 15-7, 15-11
Oil Pan Assembly, 13-3
Oil, Cat Pump, 11-3
Oil, Cat Water Pump, 10-15
Olive, Rubber, 8-6
Orifice, Valve, 11-11

P

P.C. Board, Level Sensing, 10-29
Pad, Brake, 6-29
Pad, Non-skid, 6-9
Pad, Rubber, 8-4
Pan Assembly, Oil, 14-3, 15-3
Pan, Floor, 6-8
Pan, Oil, 12-3
Panel, Dash, 6-8
Panel, Flow Tube Mounting Cover, 9-15, 9-17
Panel, Flow tube Mounting Cover, 9-15
Panel, Front, 9-9
Panel, Side Kick, 6-8
Pedal, Brake, 6-29
Pedal, Foot Speed, 6-61, 6-63, 6-65

Performance Package, 400 Hour, Diesel, Servo, 6-3
Performance Package, 400 Hour, Diesel, 6-3
Performance Package, F163, 400 Hour, Gas & LPG, 6-3
Performance Package, TM27, 400 Hour, Gas & LPG, Servo, 6-3
Performance Package, TM27, 400 Hour, Gas & LPG, 6-3
Pilot Light, 10-25
Pin, Articulating Locking, 6-83
Pin, Clevis, 6-11, 6-13, 6-20, 6-23, 6-28, 6-29, 6-54, 6-61, 6-91, 6-92, 8-3, 9-15
Pin, Cotter, 6-13, 6-27, 6-83, 6-91, 13-7, 14-8, 15-8
Pin, Door Locking, 6-17, 6-19
Pin, Dowel, Gear Cover to Crankcase, 14-3, 15-3
Pin, Dowel, 13-3
Pin, Groove, 13-11
Pin, Headed, 11-15
Pin, Injection Pump, 15-5
Pin, Piston, 0.003" Oversize, 12-7
Pin, Piston, 0.005" Oversize, 12-7
Pin, Piston, Standard, 12-7
Pin, Piston, 13-9, 14-10, 15-10
Pin, Pivot, 6-33, 6-34
Pin, Rear Support Top, 13-7, 14-8
Pin, Roll, 6-13, 6-17, 6-19, 6-21, 6-22, 6-29, 6-30, 6-31, 6-33, 6-34, 6-35, 6-61, 6-63, 6-65, 6-91, 6-92
Pin, Throttle Pivot, 6-30
Pin, 11-25, 11-26, 14-5
Pintle Kit, (Replaced by none), 11-8
Pipe, Exhaust, 8-3
Pipe, Tail, 6-36
Piston Assembly, 0.50 mm Oversize, 13-9, 14-10, 15-10
Piston Assembly, 0.75 mm Oversize, 13-9, 14-10, 15-10
Piston Assembly, 1.00 mm Oversize, 13-9, 14-10, 15-10
Piston Assembly, Standard, 13-9, 14-10, 15-10
Piston Block Assembly, 11-9
Piston Kit, 11-3
Piston, 0.020" Oversize, 12-7
Piston, 0.030" Oversize, 12-7
Piston, 0.040" Oversize, 12-7

- Piston, 0.060" Oversize, 12-7
Piston, Servo, 11-11
Piston, Standard, 12-7
Pivot, Adjuster, 6-90
Pivot, Door Hinge, 6-85, 6-87, 9-13, 9-17
Pivot, Headlock, 6-13
Pivot, Shaft, 6-83
Plate, Adapter, Pump, 13-19
Plate, Bumper, 6-89
Plate, Cam, 11-9
Plate, Camshaft Thrust, 12-4, 13-7, 14-8, 15-8
Plate, Cover, 11-11
Plate, Door, 6-85, 6-87, 9-13
Plate, Front End, 12-5
Plate, Lower Door, 9-17
Plate, Motor Mounting, 6-27
Plate, Mounting, 6-13, 9-3, 10-8
Plate, Pivot, 6-90
Plate, Pump Mounting, 6-31, 6-35, 9-5
Plate, Seat Mount, 6-7
Plate, Side, 6-79
Plate, Throttle, 6-30, 6-33, 6-34
Plate, Upper Door, 9-17
Plate, Valve Mounting, 6-15, 9-7
Plate, Valve, 11-17, 11-19, 11-21
Plate, Wand Hose Adaptor Storage, 10-13
Plate, Wear, 11-26
Plate, 6-13, 6-25, 6-87, 8-5, 9-14, 9-17
Plug #4, 11-21
Plug #8, 11-11
Plug Assembly Cl, 11-17, 11-19
Plug Assembly Ph, 11-17, 11-19
Plug Assembly, 11-21
Plug Button, 0.50" (13 mm), 6-80
Plug Button, 1.25" (32 mm), 6-80
Plug S/A, 11-11
Plug, Brush Drive, 6-20, 6-23
Plug, Brush Idler, 6-21, 6-22
Plug, Core, 14-7, 15-7
Plug, Crankcase, 13-3
Plug, Cup, 13-3, 13-5, 14-3, 14-7, 15-3, 15-7
Plug, Drain, 9-11, 9-13, 13-3, 14-3, 15-3
Plug, Expansion, Crankcase at Rear Camshaft Bearing, 12-3
Plug, Expansion, 13-3, 14-3, 15-3
Plug, Flushing, 6-15
Plug, Glow, 14-5, 15-5
Plug, Hose, 15-5
Plug, Pipe, 10-15
Plug, Piston, 12-7
Plug, Plastic, 6-20, 6-21, 6-22, 6-23
Plug, Sealing, 8-6
Plug, Shaft Ends, 13-7, 14-8, 15-8
Plug, Spark, 12-10
Plug, Tube, 6-15
Plug, #12 O-Ring Ph, 11-11
Plug, 6-29, 6-85, 9-11, 9-13, 11-13, 11-15, 13-3, 13-15, 13-16, 14-3, 14-5, 14-16, 15-3, 15-16
Plugbutton, 2.0" (50 mm), 6-80
Plugbutton, 6-37, 9-9
Point Set, 6-3
Pointer, Engine Timing, 13-11, 14-12, 15-12
Pointer, Timing, 12-5
Poppet, 11-13
Pouch, Operator's Manual, 13.6 in (345mm), 6-7
Pouch, Operator's Manual, 7.5 in (190mm), 6-7
Priority Valve Assembly, 11-8
Probe, Liquid Level, 10-25, 10-29
Pulley, Alternator, 6-35, 8-3, 12-12
Pulley, Crankshaft, 12-7, 13-8, 14-9, 15-9
Pulley, Water Pump, 12-9, 13-14
Pulley, 14-15, 15-15
Pump (Replaced by none), 11-8
Pump and Gasket, Fuel, 13-19
Pump and Gasket, Water, 13-14, 14-15, 15-15
Pump Assembly, Fuel, 12-9
Pump Assembly, Solution, 11-5, 11-6
Pump Cover, 11-3
Pump Kit, Charge, 11-9
Pump Replacement Kit, 13-19
Pump, Fuel Injection (Replaced by none), 14-5
Pump, Fuel Injection, 15-5
Pump, Fuel, 13-19, 14-5, 15-5
Pump, Hyd Piston V 2.48, 11-11, 11-13
Pump, Hydraulic (See Breakdowns), 6-55

CROSS REFERENCE

Pump, Hydraulic, 11-8, 11-9, 11-22
Pump, Hydraulic (See Breakdowns), 6-56, 6-57
Pump, Hydraulic, 6-57
Pump, Metering (See Breakdowns), 9-5
Pump, Metering Solution, 11-7
Pump, Oil (For Engine 16850), 14-11
Pump, Oil (For Engine 34910), 14-11
Pump, Oil, Complete, 12-8
Pump, Oil, 13-10, 15-11
Pump, Solution (See Breakdowns), 9-5
Pump, Solution, 11-4
Pump, Water (Replaced by 48787) (See Breakdowns), 9-5
Pump, Water (See Braekdowns), 10-15
Pump, Water, Service (Less Pulley), 12-9
Pump, Water, 13-14, 14-15, 15-15
Pump, 11-8

R

Race, Bearing, 11-11, 11-25, 11-26
Race, Thrust, 11-23, 11-24
Radiator, 6-37
Rear Squeegee Assembly, 6-90
Regulator, Voltage, 6-35, 8-3
Relay, Horn, 6-80
Relay, Power, 8-5
Relay, Rear Squeegee Lift, 6-80
Relay, 9-7
Relief Valve Assembly, 11-8
Relief Valve Sa, 11-13
Relief Valve, 11-28
Repair Info. Cl, 11-17, 11-19
Repair Info,Pmp, 11-13
Repair Info,Scu, 11-25, 11-26
Repair Kit, Brake Pad, 6-28
Repair Kit, Brake, 6-29
Repair Kit, Carburetor, 12-11
Repair Kit, Fan Assembly, 6-77, 6-79
Repair Kit, Fuel Filter Lock, 7-3
Repair Kit, Master Cylinder, 6-29
Repair Kit, Oil Pump, 12-8
Repair Kit, Vaporizer, 7-3, 12-11

Repair Kit, Water Pump, 12-9, 13-14, 14-15, 15-15
Replacement Kit, Alternator, 8-3
Replacement Kit, Bellows, 11-7
Replacement Kit, Brush, 11-4, 11-5, 11-6
Replacement Kit, Detergent Tank, 9-15
Replacement Kit, Fuel Pump, 12-9
Replacement Kit, Headlock, 6-13
Replacement Kit, Horn Relay, 6-80
Replacement Kit, Oil Pressure Gauge, 6-80
Replacement Kit, Pump Body, 11-5, 11-6
Replacement Kit, Pump Head, 11-5, 11-6
Replacement Kit, Tank, SRSr, 9-11
Replacement Kit, Tank, 6-85
Replacement Kit, Thumbscrew, 6-4, 6-85, 6-87, 9-11, 9-15
Replacement Kit, V-Belt, 6-75, 6-77, 6-79
Replacement Kit, Water Pump, 9-3
Replacement Kit, Water Valve, 10-15
Replenishing Valve Assembly, 11-8
Reservoir Assembly, Hydraulic, 6-53
Resistor, 9-9
Restistor (replaced by 79092), 13-19
Retainer, Ball, 6-85
Retainer, Blade, 10-30
Retainer, Brush, 6-17, 6-19
Retainer, Chk, 11-25, 11-26
Retainer, Deflector Skirt, 6-11
Retainer, Frt Cl, 11-17, 11-19
Retainer, Frt, 11-21
Retainer, Hopper Lip, 6-11
Retainer, Hose, Water, 10-15
Retainer, Screw, 9-15
Retainer, Seal, 9-15
Retainer, Squeegee, 10-17
Retainer, Valve Spring, Intake, 12-4
Retainer, Valve Spring, 13-5, 14-7, 15-7
Rim, Tire, 6-26, 6-81
Ring Gear (For Engine 16850), 14-13
Ring Gear (For Engine 34910), 14-13
Ring Gear, 13-12, 15-13
Ring Kit, Re-Ring, 0.020" Oversize, 12-7
Ring Kit, Re-Ring, 0.030" Oversize, 12-7
Ring Kit, Re-Ring, 0.040" Oversize, 12-7

Ring Kit, Re-Ring, 0.060" Oversize, 12-7
 Ring Kit, Re-Ring, 0.50 mm Oversize, 13-9, 14-10, 15-10
 Ring Kit, Re-Ring, 0.75 mm Oversize, 13-9, 14-10, 15-10
 Ring Kit, Re-Ring, 1.00 mm Oversize, 13-9, 14-10, 15-10
 Ring Kit, Re-Ring, Standard, 12-7, 13-9, 14-10, 15-10
 Ring, Retainer, 11-25, 11-26
 Ring, Retaining, Piston Pin, 14-10, 15-10
 Ring, Retaining, 6-21, 6-22, 6-75, 6-77, 6-78, 6-83, 11-9, 11-13, 11-15, 12-11, 13-9
 Ring, Thermostat Adapter, 12-3
 Ring, 11-17, 11-19, 11-21
 Rivet, Pop, 6-7
 Rivet, Steel, 8-4
 Rivet, Timing Pointer to Gear Cover, 14-12, 15-12
 Rivet, 13-11
 Rivnut, 10-6, 10-10, 10-11, 10-13, 10-25
 Rod and Link, 6-54
 Rod Assembly, Connecting, 13-9, 14-10, 15-10
 Rod End, 6-65
 Rod, Adjustment, 6-28
 Rod, Brake, 6-29
 Rod, Connecting, Less Bearings, Cast (Replace in Sets Only), 12-7
 Rod, Connecting, Less Bearings, Forged (Replace in Sets Only), 12-7
 Rod, Connecting, 11-3
 Rod, Control, Governor to Carburetor, 12-9
 Rod, Control, 13-16
 Rod, Door Latch, 6-85, 6-87, 9-13, 9-17
 Rod, End, 6-63
 Rod, Oil Gauge, 12-3, 13-3, 14-3, 15-3
 Rod, Push, Brake, 6-29
 Rod, Push, 13-7, 14-8, 15-8
 Rod, Shock, 6-63
 Rod, Threaded, 6-79
 Rod, Throttle Control, 6-30, 6-31
 Rod, Throttle, 6-33, 8-3, 8-4
 Rod, Trip, 6-91
 Rod, Upper, 6-33
 Rod, Vertical Throttle, 8-3
 Rod, 6-91

Roll Pin, 11-13
 Roll, Pin, 6-63
 Rotating Group Kit, 11-8
 Rotating Kit, 11-11
 Roto Coil, Exhaust, 12-4
 Roto-Coil, Exhaust, 13-5
 Rotor, 6-3, 12-10, 13-18

S

Screen, Debris, 9-11, 9-13
 Screen, 6-87, 10-16
 Screw Set, 11-25, 11-26
 Screw, Cap CI, 11-17, 11-19
 Screw, Cap, 11-11, 11-13, 11-21
 Screw, Crankshaft, 13-8
 Screw, Flat, 9-5
 Screw, Flywheel to Crankshaft (special), 12-7
 Screw, Fuel Pump Mounting, 12-9
 Screw, Governor Spring, 13-16
 Screw, Hex, (30 mm), 10-15
 Screw, Hex, (50 mm), 10-15
 Screw, Hex, 10 – 24 x 0.75", 10-25
 Screw, Hex, M10, 6-33, 6-35, 8-3
 Screw, Hex, M14, 8-3
 Screw, Hex, M8, 6-35, 6-37, 7-3, 8-3
 Screw, Hex, Mounting, 12-9
 Screw, Hex, 6-9, 6-13, 6-17, 6-19, 6-83, 10-29
 Screw, Horn Button, Wood, 6-25
 Screw, Pulley to Crankshaft, 12-7
 Screw, Pump Coupling, 6-31
 Screw, Set, 6-61, 10-15, 11-15
 Screw, Shoulder, 6-75, 6-77
 Screw, Socket, M10, 6-35
 Screw, Socket, Metric, 8-4
 Screw, Socket, 6-21, 6-22, 6-25
 Screw, Special, Cylinder Head to Crankcase (4, 5, 10, 11, & 15), 12-3
 Screw, Thumb, 6-90
 Screw, 13-3, 13-5, 13-7, 14-3, 14-7, 14-8, 14-9, 15-3, 15-7, 15-8, 15-9
 Seal Kit, Pump, 11-11, 11-13
 Seal Kit, Rear, 11-17, 11-19, 11-21
 Seal Kit, Relief Valve, 11-28

CROSS REFERENCE

- Seal Kit, Scu, 11-26
Seal Kit, Shaft Cl, 11-17, 11-19
Seal Kit, Shaft, 11-21
Seal Kit, Tank Door, SRSr, 6-4
Seal Kit, Tank Door, 6-4
Seal Kit,Cntrl, 11-15
Seal Kit,Stg, 11-25
Seal Kit, 11-3, 11-8, 11-9, 11-22, 11-23, 11-24, 11-27, 11-28, 11-30, 11-31, 11-32
Seal, Adhesive Backed, 10-13
Seal, Door, 6-4, 9-15
Seal, Float Flange, 6-85
Seal, Inner Wheel Bearing, 6-81
Seal, O-Ring, 6-53, 6-55, 6-56, 6-57
Seal, Oil And Felt, 12-5
Seal, Oil, Crankshaft (For Engine 16850), 14-12
Seal, Oil, Crankshaft (For Engine 34910), 14-12
Seal, Oil, Crankshaft, 15-12
Seal, Oil, 12-9, 13-3, 13-11, 14-3, 15-3
Seal, Rear Bearing, Oil, 12-3
Seal, Rear Suction Tube, 10-13
Seal, Shaft Oil, 13-11
Seal, Shaft, 13-11
Seal, Suction Tube, 6-85, 9-15, 9-17
Seat, Chk Ball, 11-25, 11-26
Seat, Exhaust Valve, 0.025 mm oversize, 13-5
Seat, Exhaust Valve, 13-5
Seat, 6-7
Sending Unit, Fuel Tank, 6-41
Sending Unit, Temperature, 6-35, 8-3
Sending Unit, Water Temperature, 6-31
Service Kit, Cleanout Door, 6-85, 6-87, 9-11, 9-15
Service Kit, Pivot Shaft, 6-83
Shaft Assembly, Brush, 6-20, 6-21, 6-22, 6-23
Shaft Kit, 11-8
Shaft S/A, 11-21
Shaft, Assy Cl, 11-17, 11-19
Shaft, Brush, 6-20, 6-23
Shaft, Control, 6-61, 6-63, 6-65
Shaft, Distributor to Drive, 12-10
Shaft, Drive Sp, 11-11
Shaft, Fan (Replaced by 61694), 6-79
Shaft, Fan, 6-77, 6-79
Shaft, Idler, 6-75
Shaft, Input, 11-15
Shaft, Oil Pump Drive, 12-8
Shaft, Output, 11-23, 11-24
Shaft, Pivot, 6-13
Shaft, Rocker Arm, 13-7, 14-8, 15-8
Shaft, Squeegee Lift, 6-91
Shaft, 11-9
Sheave, Crankshaft, 6-31
Sheave, Fan, 6-77, 6-79
Sheave, Idler Shaft, 6-75
Sheave, 6-33, 6-35, 8-3
Sheet, Top Sandblast, 6-4, 9-11, 9-13
Shield, Bearing, 6-21, 6-22
Shield, Heat, 14-5, 15-5
Shield, Starter, 6-33, 6-35, 8-4
Shim, 0.003" (0.07 mm), 6-79
Shim, 0.005" (0.12 mm), 6-79
Shim, 0.010" (0.25 mm), 6-79
Shim, 0.020" (0.50 mm), 6-79
Shim, 0.060" (1.52 mm), 6-79
Shim, 16 Ga., 6-27
Shim, 20 Ga., 6-27
Shim, Bearing Bracket, 0.06" (1.5 mm), 6-21
Shim, Bearing Bracket, 0.12" (3 mm), 6-21
Shim, Bracket, 0.06" (1.5 mm), 6-20
Shim, Bracket, 0.12" (3 mm), 6-20
Shim, 6-77, 6-78, 6-83
Shims, 11-13
Shock, Absorber, 6-63
Short Block Assembly, R, Includes: Block, Tappets, Camshaft, Crankshaft, Main Bearings, Bearing Caps, Pistons, Piston Pins, Piston Rings, Connecting Rods, Rod Bearings, Thrust Plate, Cam Gear, Gear, Oil Pump, Oil Gauge Support, and Gasket Set, 15-3
Short Block Assembly, R, Includes: Block, Tappets, Camshaft, Crankshaft, Main Bearings, Bearing Caps, Pistons, Piston Pins, Piston Rings, Connecting Rods, Rod Bearings, Thrustplate, Cam Gear,Gear, Oil Pump, Oil Gauge Support, and Gasket Set, 13-3

- Short Block Assembly, R, Includes: Block, Tappets, Camshaft, Crankshaft, Main Bearings, Bearing Caps, Pistons, Piston Pins, Piston Rings, Connecting Rods, Rod Bearings, Thrust Plate, Cam Gear, Gear, Oil Pump, Oil Gauge Support, and Gasket Set, 14-3
- Short Block Assembly, S, Includes: R Short Block Assembly Plus – Head, Guides, Valves and Associated Parts, Rocker Arm Shaft Assembly, Pushrods, Head Cover, Gear Cover, Oil Pan, Oil Filler Cap, and Gasket Set, 14-3, 15-3
- Shroud, Engine Compartment, L.H., 6-9
- Shroud, Engine Compartment, R.H., 6-9
- Shroud, Fan, 6-37
- Shroud, Front, 6-8
- Skirt, Deflector, 6-11
- Skirt, 6-3
- Sleeve and Seal Kit, 11-3
- Sleeve, Bearing, 6-90, 6-91
- Sleeve, Brake Lever, 6-28
- Sleeve, Hose, 6-47, 6-49, 6-51
- Sleeve, Nylon, 6-83
- Sleeve, Tube Assembly, 15-5
- Sleeve, 6-7, 6-11, 6-13, 6-20, 6-25, 6-35, 6-63, 6-75, 6-77, 6-79, 6-91, 8-3, 8-4
- Slide, L.H., 6-23
- Slide, R.H., 6-22
- Slinger, Oil, 13-8, 14-9, 15-9
- Solenoid, Anti-Runon, 6-35
- Solenoid, Fuel Shut-Off, 14-5
- Spacer Plate, 11-25
- Spacer, Alternator to Bracket, Rear, 12-12
- Spacer, Between Alternator Pulley and Fan, 12-12
- Spacer, Brake Arm, 6-28
- Spacer, Brake, 6-28
- Spacer, Fan, 6-37
- Spacer, Isolator, 6-23
- Spacer, P.C. Board, 10-29
- Spacer, Rotor, 13-18
- Spacer, Seat Adjuster, 6-7
- Spacer, Spring, 6-63
- Spacer, Switch, 9-7
- Spacer, Throttle Control, 6-31, 6-33
- Spacer, 6-63, 6-79, 8-5, 10-25, 11-25, 11-26
- Spark Plug, Gasoline, 13-18
- Spark Plug, LPG, 13-18
- Spark Plug, 6-3
- Spindle, Adjusting, 10-13, 10-21
- Sprayer Kit, High Pressure, 10-15
- Sprayer, High Pressure, 11-3
- Spring Kit, Scu, 11-25, 11-26
- Spring Set, Advance, 13-18
- Spring, Brake Cable, 6-28
- Spring, Cntr, 11-15
- Spring, Compression, 6-31, 6-33, 6-34
- Spring, Governor Bumper, 13-11
- Spring, Governor, 12-9, 13-16
- Spring, Oil Pressure Relief Valve, 12-3
- Spring, Propel, Centering, 6-65
- Spring, Pump Lever Centering, 6-61, 6-63
- Spring, Rocker Arm Shaft, 13-7, 14-8, 15-8
- Spring, Rocker Shaft Ends (For Engine 16850), 14-8
- Spring, Tension, 6-77, 6-79
- Spring, Throttle, 6-30
- Spring, Valve, Intake and Exhaust, 12-4
- Spring, Valve, 13-5, 14-7, 15-7
- Spring, Retainer, 11-15
- Spring, 6-11, 6-13, 6-20, 6-23, 6-25, 6-61, 6-63, 6-65, 6-91, 11-13, 11-17, 11-19, 11-21
- Squeegee Assembly, Left Side, 6-19
- Squeegee Assembly, Right Side, 6-17
- Squeegee Blades Kit, Rear, 6-4
- Squeegee Blades Kit, Side, 6-3
- Squeegee Wand Kit, 10-13
- Squeegee, 10-17
- Starter (For Engine 16850), 14-13
- Starter (For Engine 34910), 14-13
- Starter, 12-12, 13-12, 15-13
- Steer Control, Hyd #4 05.9 150, 11-26
- Steer Control, Hyd 3 6.2 1000, 11-25
- Strainer, Fuel, 6-41
- Strainer, Suction, 6-11, 6-53
- Strainer, Water, 10-16
- Strap, Adjuster, 6-63
- Strap, Adjusting, Alternator, 13-16
- Strap, Alternator, Adjusting, 12-12
- Strap, Alternator, 14-17, 15-17
- Strip, Backup, 6-17, 6-19, 10-30
- Strip, Cable Mounting, 6-15

CROSS REFERENCE

- Strip, Cover, 6-19
Strip, Mounting, 6-37
Strip, Oil Cooler Mounting, L.H., 6-31
Strip, Oil Cooler Mounting, R.H., 6-31
Strip, Oil Cooler Mounting, 6-31
Strip, Rear Backup, 6-4
Strip, Rear, Backup, 6-91
Strip, Spring, 6-91
Strip, 6-28, 9-7, 9-15
Stud, Alternator Bracket to Crankcase, 12-12
Stud, Carburetor to Manifold, 12-11
Stud, Caster, 6-91
Stud, Distributor to Head, 12-10
Stud, Door Latch, 6-85, 6-87, 9-13, 9-17
Stud, Exhaust and Intake Manifold to Crankcase, 12-11
Stud, Exhaust Manifold Outlet, 12-11
Stud, Oil Pump Body to Center Bearing Cap, 12-8
Stud, Oil Pump Idler Gear, 12-8
Stud, Valve Chamber Cover To Crankcase, 12-3
Stud, Water Outlet, 12-10, 12-11
Stud, Wheel, 6-81
Stud, 6-13, 6-27, 6-39, 6-60, 6-61, 6-63, 6-65, 13-13, 13-15, 13-16, 14-14, 14-16, 15-14, 15-16
Support Assembly, Lower Bearing, 6-83
Support, 10 in (254mm), 10-24
Support, 13 in (330mm), 10-24
Support, Brace, 6-9
Support, Light, 10-23
Support, Lower Bearing, 6-83
Support, LPG Tank, 7-3
Support, Oil Gauge Rod, 12-3
Support, Rocker Arm Shaft, Rear, 13-7, 14-8
Support, Rocker Arm Shaft, 13-7, 14-8, 15-8
Support, Shaft, 6-75
Support, 10-6, 10-7
Switch Assembly, 11-29
Switch, Brake Light Sending, 10-2, 10-22
Switch, Cleaning Solution Metering, 9-9
Switch, Flow (See Breakdowns), 6-52
Switch, Flow, 11-29
Switch, Ignition, 6-80
Switch, Oil Pressure, 7-3
Switch, On–Off, Squeegee Lift, 6-80
Switch, Pressure, 10-5
Switch, Roller, 6-91
Switch, Toggle, 10-2, 10-7, 10-8, 10-22, 10-24
Switch, 6-91, 9-7, 10-6, 10-23
- T**
- Taillight, 10-2, 10-22
Tank Assembly, LPG, 10-9, 10-10
Tank Kit, Reserve LPG, 10-10
Tank Mounting Kit, Reserve LPG, 10-11
Tank, Detergent, 9-15, 9-17
Tank, Fuel, 6-41
Tank, LPG, with Filler Gauge, 7-3
Tank, Solution and Recovery, SRSr, 9-13
Tank, Solution and Recovery, 6-85
Tappet, Valve, 0.001" Oversize, 12-4
Tappet, Valve, 0.003" Oversize, 12-4
Tappet, Valve, 0.005" Oversize, 12-4
Tappet, Valve, 0.010" Oversize, 12-4
Tappet, Valve, 0.015" Oversize, 12-4
Tappet, Valve, 0.020" Oversize, 12-4
Tappet, Valve, Standard, 12-4
Tappet, Valve, 13-7, 14-8, 15-8
Tee, Barbed, 10-15
Tee, Plastic, 6-15
Tee, 6-29, 10-27, 12-9, 13-16, 14-5, 15-5
Terminal, Male, 11-5, 11-6
Terminal, Quick–Disconnect, 8-4, 8-5
Terminal, Ring, 8-5, 10-22
Terminal, Starter, 8-5
Terminal, 8-5
Thermostat and Gasket, 13-15, 14-16, 15-16
Thermostat, 180_ F (82.2_c), 12-3
Thermostat, 12-11, 13-15, 14-16, 15-16
Thumbscrew, Filter Hold Down, 9-15, 9-17
Thumbscrew, 9-15
Tie, Cable, 6-83, 7-6, 9-5, 10-2, 10-22
Tip, Nozzle, 14-5, 15-5
Tire (Replaced by 48910), 6-26, 6-81
Tire & Wheel Assembly (Replaced by 48911), 6-26
Tire & Wheel Assembly, 6-26

Tire and Wheel Assembly, Rear (Replaced by 48911), 6-81
 Tire and Wheel Assembly, Rear, 6-81
 Tire, 6-26, 6-81
 Tool Assembly, Sludge Removal, 10-17
 Trim, Plastic, Steering Column Housing, 6-9
 Tube Assembly, Fuel Injection #1, 14-5
 Tube Assembly, Fuel Injection #2, 14-5
 Tube Assembly, Fuel Injection #3, 14-5
 Tube Assembly, Fuel Injection #4, 14-5
 Tube Assembly, Hydraulic, 6-37
 Tube Assembly, L.H., 6-29
 Tube Assembly, Oil Pump Inlet, 13-10, 14-11, 15-11
 Tube Assembly, R.H., 6-29
 Tube Assembly, 8-6, 14-5, 15-5
 Tube Set, Fuel Injection, 15-5
 Tube, Front Suction, 9-13
 Tube, Air Cleaner, 6-38, 6-39, 7-5, 8-8
 Tube, Air Intake, 8-3
 Tube, Brake Line, 6-29
 Tube, Connector, 6-15
 Tube, Exhaust, 6-36
 Tube, Front Suction, 6-85, 9-11
 Tube, Fuel (for Engines 16860/16870), 13-19
 Tube, Fuel (for Engines 34920/34930) (Replaced by none), 13-19
 Tube, Fuel (for Engines 34920/34930), 13-19
 Tube, Fuel Pump to Carburetor, 12-9
 Tube, Hydraulic, 7-3, 10-16
 Tube, Inlet, 6-79
 Tube, Intake, 6-79
 Tube, Manifold to Tee, 12-9
 Tube, Oil Cooler, 13-17, 14-18, 15-18
 Tube, Oil Filler, 14-3, 15-3
 Tube, Oil Gauge, 13-3
 Tube, PCV, 13-16
 Tube, Rear Squeegee Suction, 6-87, 9-15, 9-17
 Tube, Rear Suction, 10-13
 Tube, Spreader, 6-15
 Tube, Vacuum, 13-18

U

U-Bolt, 6-13

V

V-Belt, 6-31, 6-35, 6-75, 6-79, 8-3
 V-Bolts, 10-8
 Vacuum Advance, 13-18
 Valve Assembly, Check, 11-9
 Valve Assembly, Relief (Includes Bearing), 11-9
 Valve CI, 11-17, 11-19
 Valve Kit, Discharge, 11-3
 Valve Kit, Pump, 11-7
 Valve Plate Assembly, 11-8
 Valve Plate, 11-13
 Valve Replacement Kit, Water, 6-15, 9-7
 Valve Section, Manual, 11-27
 Valve Section, 11-27
 Valve Spool, 11-15
 Valve, Check, 14-5
 Valve, Cylinder Water Drain, 12-3
 Valve, Exhaust, 12-4, 13-5, 14-7, 15-7
 Valve, Hydraulic (See Breakdowns), 6-54, 6-60
 Valve, Hydraulic, Solenoid, 11-27
 Valve, Hydraulic, 11-28, 11-31
 Valve, Intake, 12-4, 13-5, 14-7, 15-7
 Valve, Pressure Relief, 7-3
 Valve, Relief, Hydraulic, 10-15
 Valve, Relief, Oil Pressure, 12-3
 Valve, Relief, 11-9
 Valve, Shut-off, 10-16
 Valve, Tire, Air, 6-26, 6-81
 Valve, Water Pressure, 10-16
 Valve, Water, Drain, 10-27
 Valve, Water, 6-15, 9-7
 Valve, 11-17, 11-19, 11-21
 Vaporizer, LPG, 7-3, 12-11
 Video, Operator, 550, 10-31

W

Wand Kit, Squeegee, 10-21
 Wand, Spray, 10-15
 Warning Kit, Brush Pressure, 10-5
 Washer, Wavy, 6-63, 6-65
 Washer, Belleville, 6-21, 6-22, 6-35, 6-92, 8-4
 Washer, Copper, 14-5

CROSS REFERENCE

Washer, Dished, 10-2, 10-22
Washer, Drain Plug, 13-3, 14-3, 15-3
Washer, Engine Mounting, 6-31
Washer, Fiberglide, 6-91
Washer, Flat, 6-81, 6-83, 6-90, 13-7, 14-7, 14-8, 15-7, 15-8
Washer, Lock, 6-83
Washer, Nylon, 6-9, 6-15, 6-39, 9-7
Washer, Plain, 13-5, 13-8, 14-7, 14-9, 15-8, 15-9
Washer, Pulley to Crankshaft, 12-7
Washer, Rocker Arm Shaft, 14-8, 15-8
Washer, Rubber Seal, 9-13, 9-17
Washer, Rubber Backed, 10-13
Washer, Rubber Seal, 9-11, 9-15
Washer, Rubber, (Located Inside Tank), 6-87
Washer, Rubber, 10-9
Washer, Sealing, 6-85, 8-6, 10-2, 10-23, 14-5
Washer, Spacer, 6-83
Washer, Spherical, 10-2, 10-22
Washer, Thrust, 6-90
Washer, Wavy Spring, 6-33
Washer, Wavy, 6-31, 6-77, 6-79, 13-7, 14-8
Washer, 6-13, 6-17, 6-19, 6-20, 6-21, 6-22, 6-23, 6-25, 6-35, 6-83, 6-91, 6-92, 11-11, 11-13, 14-5, 15-7
Watertrap, Fuel, 8-6
Weights Set, Advance, 13-18
Wheel Assembly, Foam Filled, 10-27
Wheel, Steering, 6-25
Wire Assembly, Headlight, 10-2, 10-22
Wire Assembly, No. 46, 8-4
Wire Assembly, Replaced by none, 8-5
Wire Harness, Auto Squeegee, 6-66
Wire Harness, Control Box, 9-8
Wire Harness, Main, Gasoline and LPG, 6-66
Wire Harness, Tractor, Auto Squeegee, 6-66
Wire Harness, 10-2, 10-22, 10-25, 10-29
Wire Kit, Instrument Panel, 6-80
Wire Kit, Operating Lights, 10-2, 10-22
Wire Kit, 10-5, 10-6, 10-8, 10-23, 10-25, 10-29
Wire Set, Spark Plug, 13-18
Wire, Coil, 13-18
Wire, Distributor to Coil (14" Long), 12-10
Wire, Distributor to Plugs (10" Long), 12-10
Wire, Glow Plug, 14-5, 15-5
Wire, Jumper, 6-33, 8-3
Wire, Lead, 6-9
Wire, Spark Plug #1, #2, 13-18
Wire, Spark Plug, #3, #4, 13-18
Wrap, Hose, 7-6
Wrap, L.H., Replaced by none, 6-8
Wrap, R.H., Replaced by none, 6-8

Y

Yoke, 11-8

Fold along dotted lines

Tape here



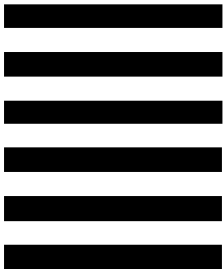
NO POSTAGE
NECESSARY
IF MAILED
IN THE
UNITED STATES

BUSINESS REPLY MAIL
FIRST CLASS MAIL PERMIT NO. 94 MINNEAPOLIS, MN

POSTAGE WILL BE PAID BY ADDRESSEE

TENNANT COMPANY

Technical Publications #15
701 North Lilac Drive
P.O. Box 1452
Minneapolis, MN 55440-9947





We Need Your Help...

As part of Tennant's Zero Defects Program, we want to know about errors you have found or suggestions you may have regarding our machine manuals. If you find an error or have a suggestion, please complete this postage-paid form and mail it to us. Thank you for helping us make zero defects a way of life at Tennant.

Manual No. _____ Rev. No. _____ Publish Date _____ Page _____
Machine _____ Report Error Suggestion

Name _____ Date _____
Customer Number _____
Company _____
Address _____
City/State/Zip Code _____

Fold along dotted lines

Tape here



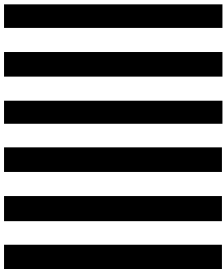
NO POSTAGE
NECESSARY
IF MAILED
IN THE
UNITED STATES

BUSINESS REPLY MAIL
FIRST CLASS MAIL PERMIT NO. 94 MINNEAPOLIS, MN

POSTAGE WILL BE PAID BY ADDRESSEE

TENNANT COMPANY

Technical Publications #15
701 North Lilac Drive
P.O. Box 1452
Minneapolis, MN 55440-9947



TENNANT SERVICE LITERATURE AVAILABLE...

A variety of information is available to you in forms to suit your needs. The following is a list of those publications that relate to the Model 550 family of machines:

Machine Model	Publication	Form	TENNANT Part No.
550	Operation, Maintenance, and Parts Manual	Printed	MM148
550	Operation, Maintenance, and Parts Manual	Microfiche	85148
550E	Operation, Maintenance, and Parts Manual	Printed	MM149
550E	Operation, Maintenance, and Parts Manual	Microfiche	85149
550	Teledyne Continental F163 Engine Service Manual	Printed	10535
550	Teledyne Continental Diesel Litrengine Service Manual	Printed	34792

Keep your manuals in a safe, convenient location for your future reference in order to operate, maintain, and order repair parts for your machine. Everyone who operates, maintains, or purchases parts for the machine should have easy access to a copy of the manual.

To get pricing information or to order copies of these publications, contact your nearest TENNANT parts warehouse, distributor, or sales representative.